

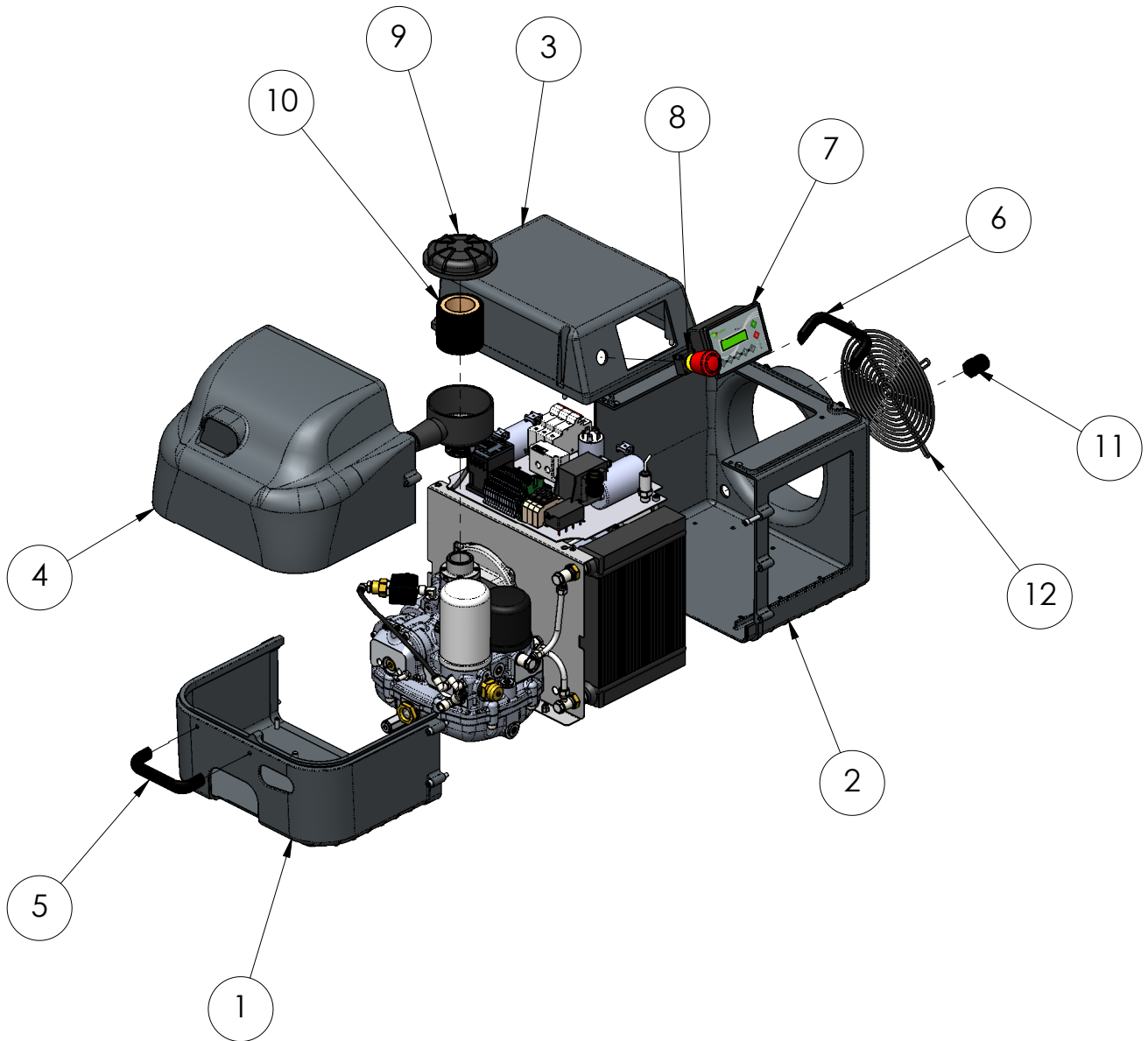
COMPACK 2-3 SMART



KTC s.r.l. Via Palazzon 70
36051 Creazzo (VI) ITALY



TIPO TYPE	Ricambi Spare parts list	CODICE CODE	COMPACK SMART 2-3	DATA DATE	03/2024	REVISIONE REVISION	01
--------------	------------------------------------	----------------	--------------------------	--------------	---------	-----------------------	----



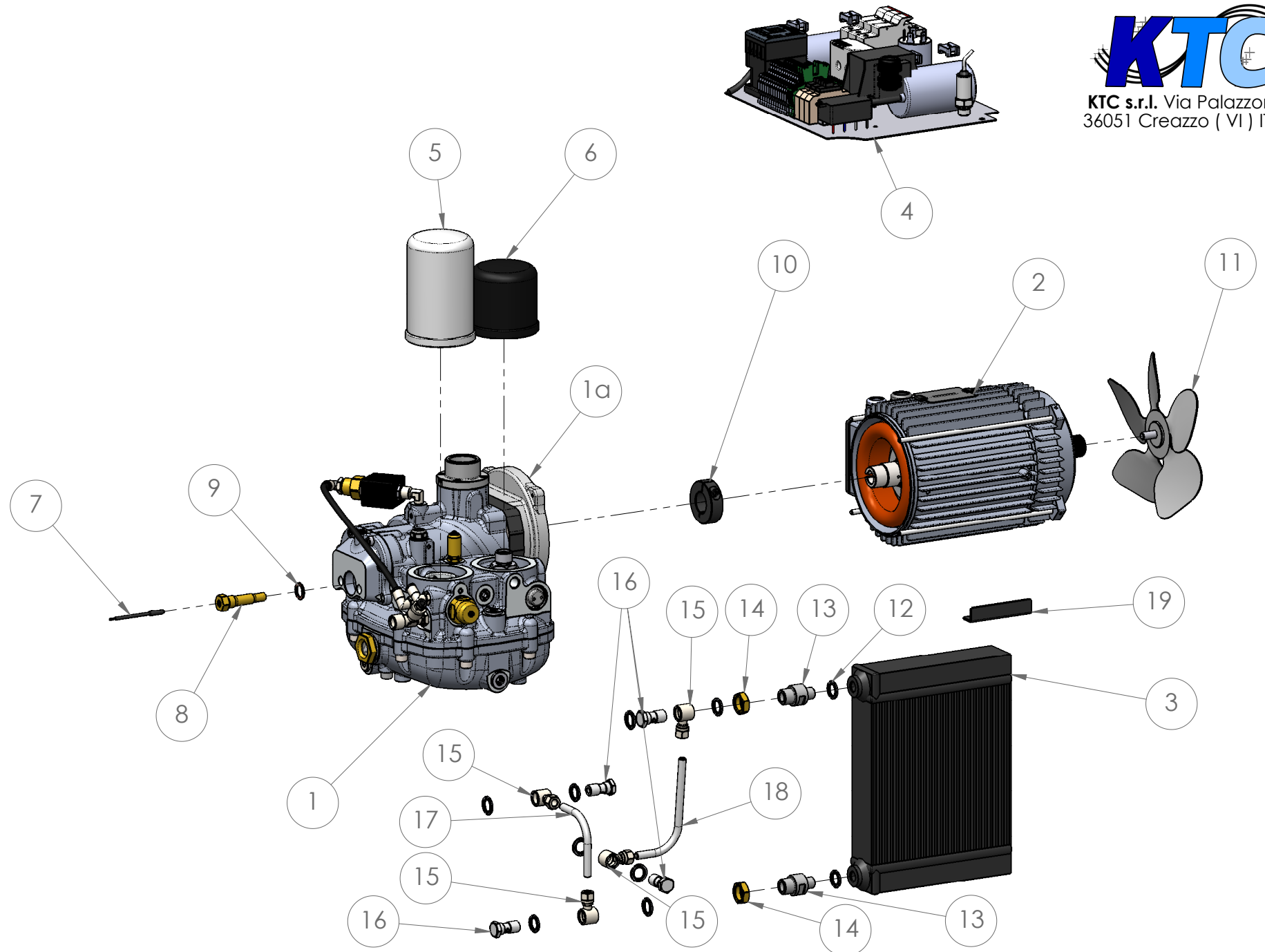


KTC s.r.l. Via Palazzon 70
36051 Creazzo (VI) ITALY

N°	Codice Code	Q.tà Q.ty	Descrizione	Description	(*) Rec.
1	A01Z6030	1	GUSCIO INFERIORE COPMACK SMART	COMPACT SP. V2 LOWER SHELL	
2	A01Z6033	1	GUSCIO DESTRO COMPACT SMART	COMPACT SP. V2 RIGHT SHELL	
3	A01Z6031	1	GUSCIO SCATOLA ELETTRICA COMPACT SMART	COMPACT SP. V2 ELECTRIC BOX SHELL	
4	A01Z6032	1	GUSCIO SUPERIORE COMPACT SMART	COMPACT SP. V2 SUPERIOR SHELL	
5	F06R7547	1	MANIGLIA	HANDLE	
6	F06R7553	1	MANIGLIA INCLINATA	INCLINED HANDLE	
7	C03U2033	1	CONTROLLORE ELETTRONICO Ktronic 8	ELECTRONIC CONTROLLER Ktronic 8	
8	C03U1027	1	PULSANTE DI EMERGENZA	EMERGENCY BUTTON	
9	G07Q0125	1	FILTRO DI ASPIRAZIONE COMPLETO	COMPLETE INLET FILTER	
10	G07Q0120	1	CARTUCCIA FILTRO ASPIRAZIONE	INLET FILTER CARTRIDGE	1
11	C03U1077	1	PRESSACAPO M20X1.5	GLAND M20X1.5	
12	E05S4025	1	GRIGLIA	GRID	

(*) Ricambi consigliati
Recommended spare parts

TIPO TYPE	Ricambi esterni <i>External spare parts</i>	CODICE CODE COMPACT SMART 2-3	DATA DATE 03/2024	REVISIONE REVISION 00
--------------	-------------------------------------------------------	-----------------------------------------	----------------------	--------------------------

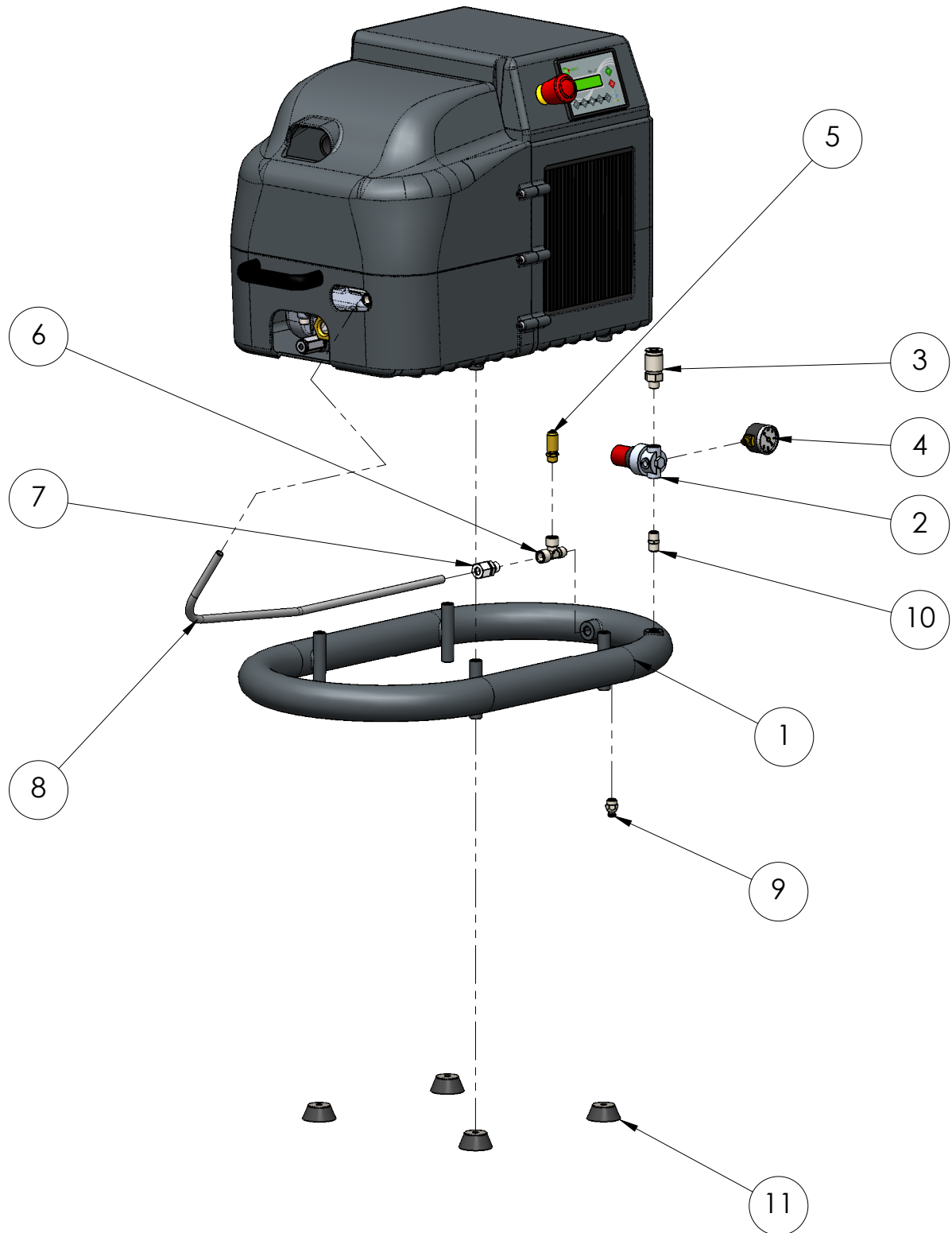


TIPO Ricambi interni TYPE <i>Internal spare parts</i>	CODICE COMPACK SMART 2-3 CODE	DATA 03/2024 DATE	REVISIONE 01 REVISION
-----------------------------------------------------------------	-----------------------------------------	-----------------------------	---------------------------------

N°	Codice Code	Q.fà Q.ty	Descrizione	Description	(*) Rec.
1	M10M0242 M10M0147 M10M0146	1	ADAM 60/E ADAM S60/E + FLANGIA ADAM S60 CCW	ADAM 60/E ADAM S60/E WITH FLANGE ADAM S60 CCW	
1a	D04T5013 D04T5005	1	FLANGIA ADAM60-MEC90 FLANGIA ADAM60-MEC100	ADAM60-MEC90 FLANGE ADAM60-MEC100 FLANGE	
2	B02V0229 B02V0242 B02V0118	1	MOTORE ELETT. 2.7 kW MEC90 MOTORE ELETT. 3 kW MEC 90 MOTORE ELETT. 4 kW MEC 100	ELECTRIC MOTOR 2.7 kW MEC90 ELECTRIC MOTOR 3 kW MEC 90 ELECTRIC MOTOR 4kW MEC 100	
3	E05S0117	1	SCAMBIATORE OLIO	OIL COOLER	
4	C03U4233 C03U4234	1	CASSETTA ELETTRICA 2.7 kW CASSETTA ELETTRICA 3/4 kW	ELECTRIC BOX 2.7 kW ELECTRIC BOX 3/4 kW	
5	G07Q1003	1	FILTRO DISOLEATORE	AIR/OIL SEPARATOR FILTER	1
6	G07Q1002	1	FILTRO OLIO	OIL FILTER	1
7	C03U1535	1	SONDA TEMPERATURA	TEMPERATURE PROBE	
8	F06R2209	1	POZZETTO SONDA TEMP.	TEMPERATURE SENSOR PORT	
9	F06R7238	1	RONDELLA GUARNIZIONE 1/4"	1/4" BONDED SEALS	
10	D04T3044	1	GHIERA PER ALBERO	RING SHAFT	
11	E05S2019 E05S0220	1	VENTOLA Ø200 PREMENTE VENTOLA Ø200 ASPIRANTE CCW	PRESSING FAN Ø200 SUCTION FAN Ø200	
12	F06R7324	10	RONDELLA	1/4" BONDED SEAL	
13	F06R7550	2	RIDUZIONE 1/4"M - M18 M	1/4"M - M18M REDUCTION	
14	F06R7608	2	DADO BLOCCAGGIO	LOCK NUT	
15	F06R7316	4	RACCORDO AD ANELLO	RING FITTING	
16	F06R7314	4	VITE CAVA SINGOLA CORTA	SHORT SINGLE HOLLOW SCREW	
17	F06R0522 F06R0495	1	TUBO MANDATA OLIO COMPACK SMART 2 TUBO MANDATA OLIO COMPACK SMART 3	OIL DELIVERY PIPE COMPACK SMART 2 OIL DELIVERY PIPE COMPACK SMART 3	
18	F06R0521 F06R0496	1	TUBO RITORNO OLIO COMPACK SMART 2 TUBO RITORNO OLIO COMPACK SMART 3	OIL RETURN PIPE COMPACK SMART 2 OIL RETURN PIPE COMPACK SMART 3	
19	A01Z2241	1	STAFFA FISSAGGIO RADIATORE	RADIATOR FIXING BRACKET	

(*) Ricambi consigliati

Recommended spare parts





KTC s.r.l. Via Palazzon 70
36051 Creazzo (VI) ITALY

N°	Codice Code	Q.tà Q.ty	Descrizione	Description	(*) Rec.
1	H08P0247	1	SERBATOIO 2.5L	AIR TANK 2.5L	
2	F06R9039	1	REGOLATORE DI PRESSIONE 1/4"	PRESSURE REGULATOR 1/4"	
3	F06R9041	1	INNESTO RAPIDO ATT. M1/4"	1/4" QUICK CONNECTION	
4	F06R2213	1	MANOMETRO	MANOMETER	
5	F06R9002	1	VALVOLA SICUREZZA 1/4" 11 BAR	SAFETY VALVE 1/4" 11 BAR	
6	F06R2231	1	RACCORDO T MFF 1/4" FEMMINA AL CENTRO	1/4" T FITTING WITH CENTER FEMALE	
7	F06R2454	1	RACCORDO DRITTO 1/4" M	1/4 STRAIGHT MALE FITTING	
8	F06R0473	1	TUBO USCITA ARIA	PIPE AIR EXIT	
9	F06R9109	1	RUBINETTO SPURGO 1/4"	1/4" DRAIN VALVE	
10	F06R2108	1	NIPPLES CONICO 1/4"	1/4" NIPPLE	
11	F06R7362	4	PIEDINO ANTIVIBRANTE A VENTOSA	ANTIVIBRATION	

(*) Ricambi consigliati

Recommended spare parts

TIPO **Ricambi versione serbatoio 2.5L**
TYPE *Air tank version 2.5L spare parts*

CODICE **COMPACT SMART 2-3**
CODE

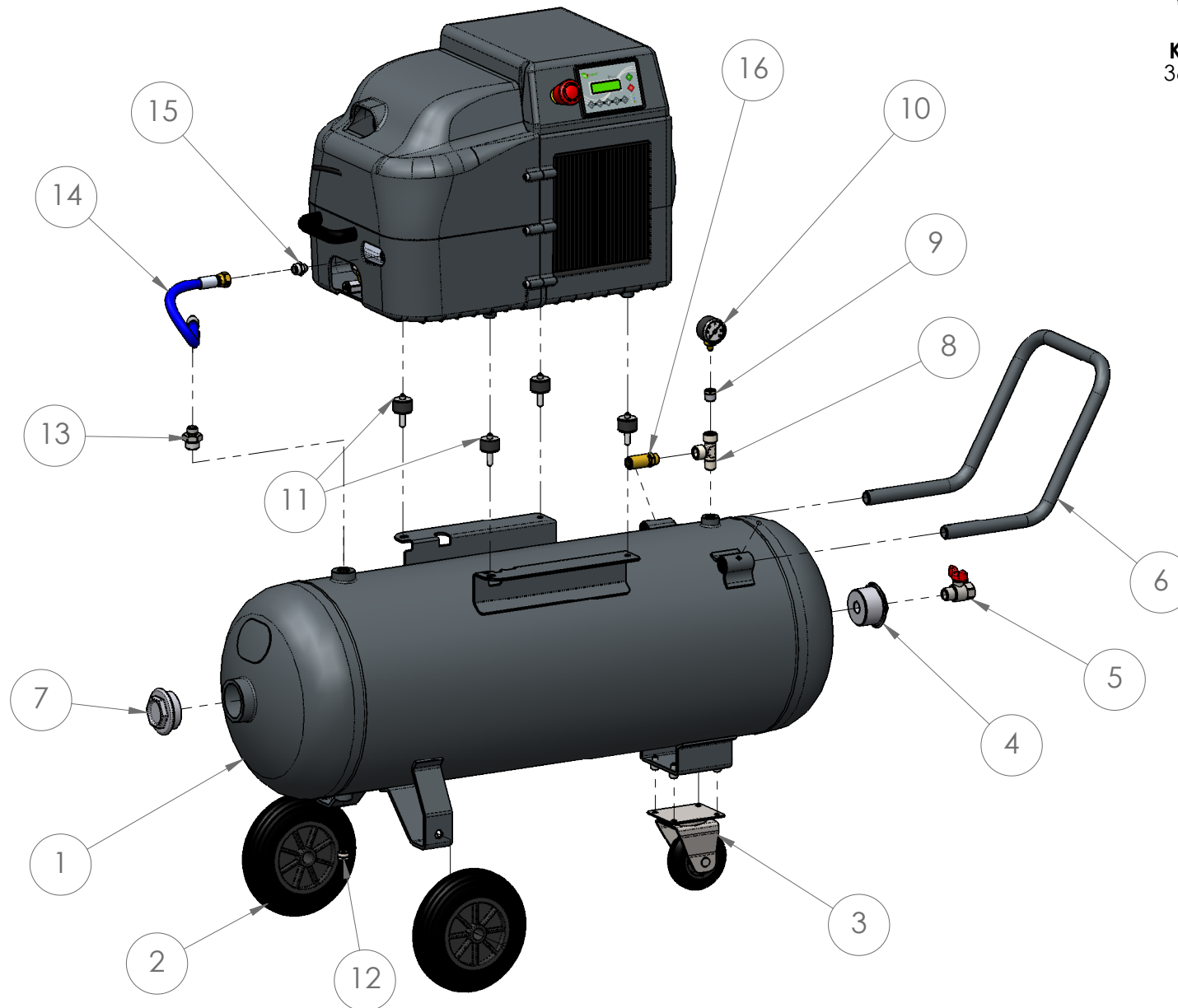
DATA **03/2024**
DATE

REVISIONE **01**
REVISION



N°	Codice Code	Q.tà Q.ty	Descrizione	Description	(*) Rec.
1	A01Z2401	1	TELAIO COMPLETO TROLLEY	COMPLETE FRAME TROLLEY	
2	F06R7381	2	RUOTA	WHEEL	
3	F06R7618	2	RONDELLA	WASHER	
4	F06R7148	2	COPPIGLIA	COTTER PIN	
5	F06R7362	2	PIEDINO ANTIVIBRANTE A VENTOSA	ANTIVIBRATION	
6	A01Z2402	1	MANICO TELAIO TROLLEY	FRAME HANDLE TROLLEY	
7	F06R7300	2	PISTONCINO A MOLLA	SPRING PISTON	

(*) Ricambi consigliati
Recommended spare parts



TIPO TYPE	Ricambi versione serbatoio 90L <i>Air tank version 90L spare parts</i>	CODICE CODE	COMPACK SMART 2-3	DATA DATE	03/2024	REVISIONE REVISION	01
--------------	----------------------------------------------------------------------------------	----------------	--------------------------	--------------	---------	-----------------------	----



KTC s.r.l. Via Palazzon 70
36051 Creazzo (VI) ITALY

N°	Codice Code	Q.tà Q.ty	Descrizione	Description	(*) Rec.
1	H08P0515 H08P0221 H08P0261	1	SERB. ARIA 90L 11 BAR AS1210 Ø350 SERB. ARIA 90 L 11 BAR CE-AD2000 Ø350 SERB. ARIA 90L 11 BAR ASME Ø350	AIR TANK 90L Ø350 11 BAR AS1210 AIR TANK 90L Ø350 11 BAR CE-AD2000 AIR TANK 90L Ø350 11 BAR ASME	
2	F06R7045	2	RUOTA POSTERIORE Ø200X50	Ø200X50 REAR WHEEL	
3	F06R7044	1	RUOTA ANTERIORE PIROETTANTE Ø100	Ø100 FLOAT ROTATING WHEEL	
4	F06R2186	1	RIDUZIONE FL 2" X 1/2"	FL 2" X 1/2" REDUCING CONNECTOR	
5	F06R9007	1	RUBINETTO A SFERA MF 1/2" A FARFALLA	1/2" SPHERE VALVE	
6	H08P0206	1	MANICO PER MOVIMENTAZIONE SERB.	HANDLE FOR TANK HANDLING	
7	F06R2185	1	TAPPO TEF G 2"	PLUG G2"	
8	F06R2191	1	RACCORDO A T MFF 3/8"	3/8" FITTING	
9	F06R7060	1	RIDUZIONE 3/8" X 1/4"	3/8" X 1/4" REDUCTION	
10	F06R2213	1	MANOMETRO	MANOMETER	
11	F06R7371	4	ANTIVIBRANTE M-F	ANTIVIBRATION M-F	
12	F06R9016	1	RUBINETTO SPURGO 3/8"	3/8" DRAIN VALVE	
13	F06R2132	1	NIPPLO RIDOTTO SVASATO 1/2"x 3/8"	REDUCED FLARED NIPPLE 1/2" X 3/8"	
14	F06R0101	1	TUBO FLEX EN853 1SN 3/8" L313 F90° x F Dritto	FLEX TUBE EN853 1SN 3/8" L313 F90°XF STRAIGHT	
15	F06R2234	1	NIPPLES RIDOTTO SVASATO 3/8" X 1/4"	3/8" - 1/4" NIPPLE	
16	F06R9009	1	VALVOLA SICUREZZA 3/8" 11 BAR	SAFETY VALVE 3/8" 11 BAR	

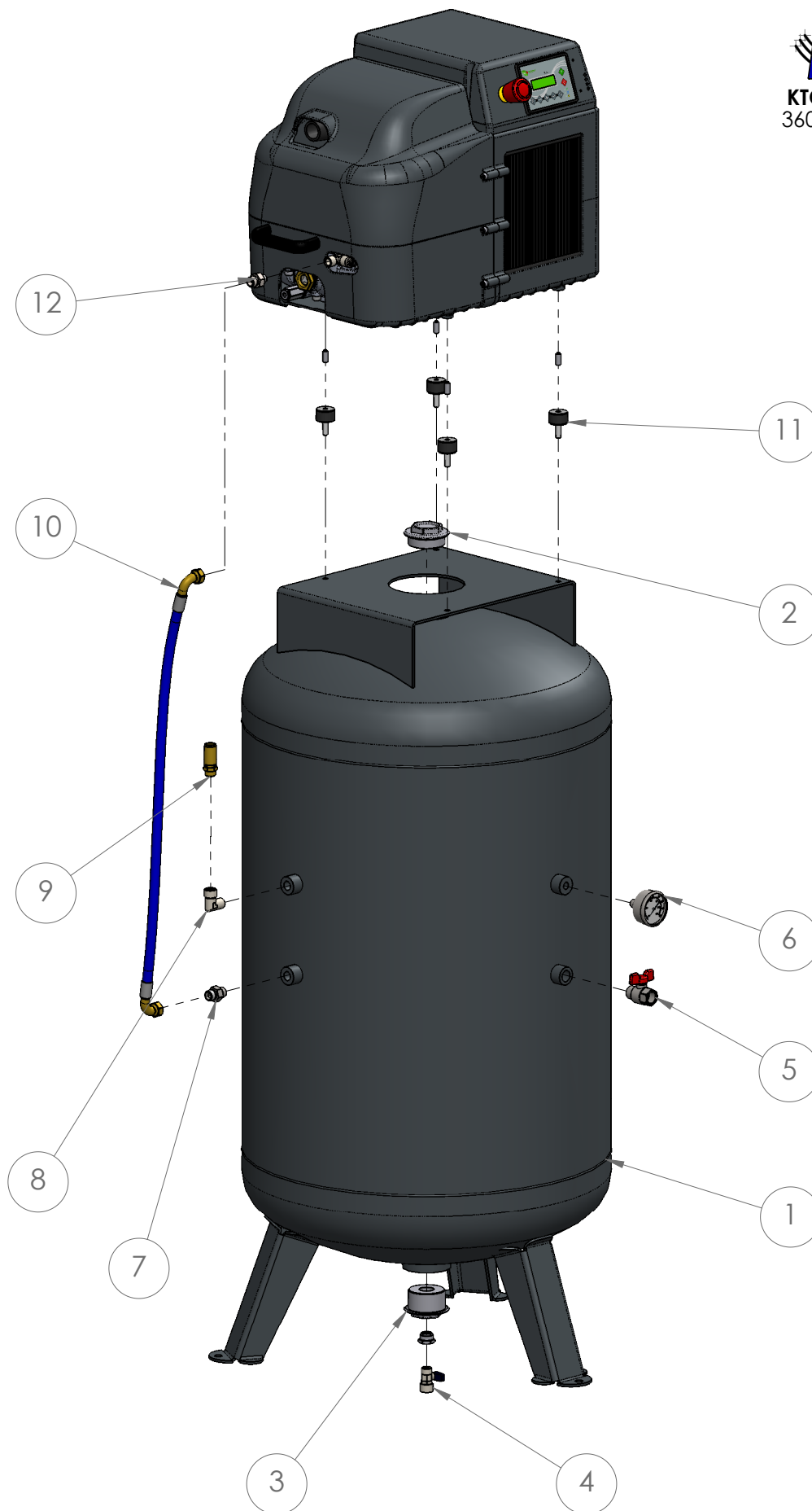
(*) Ricambi consigliati
Recommended spare parts

TIPO **Ricambi versione serbatoio 90L**
TYPE *Air tank version 90L spare parts*

CODICE **COMPACT SMART 2-3**
CODE

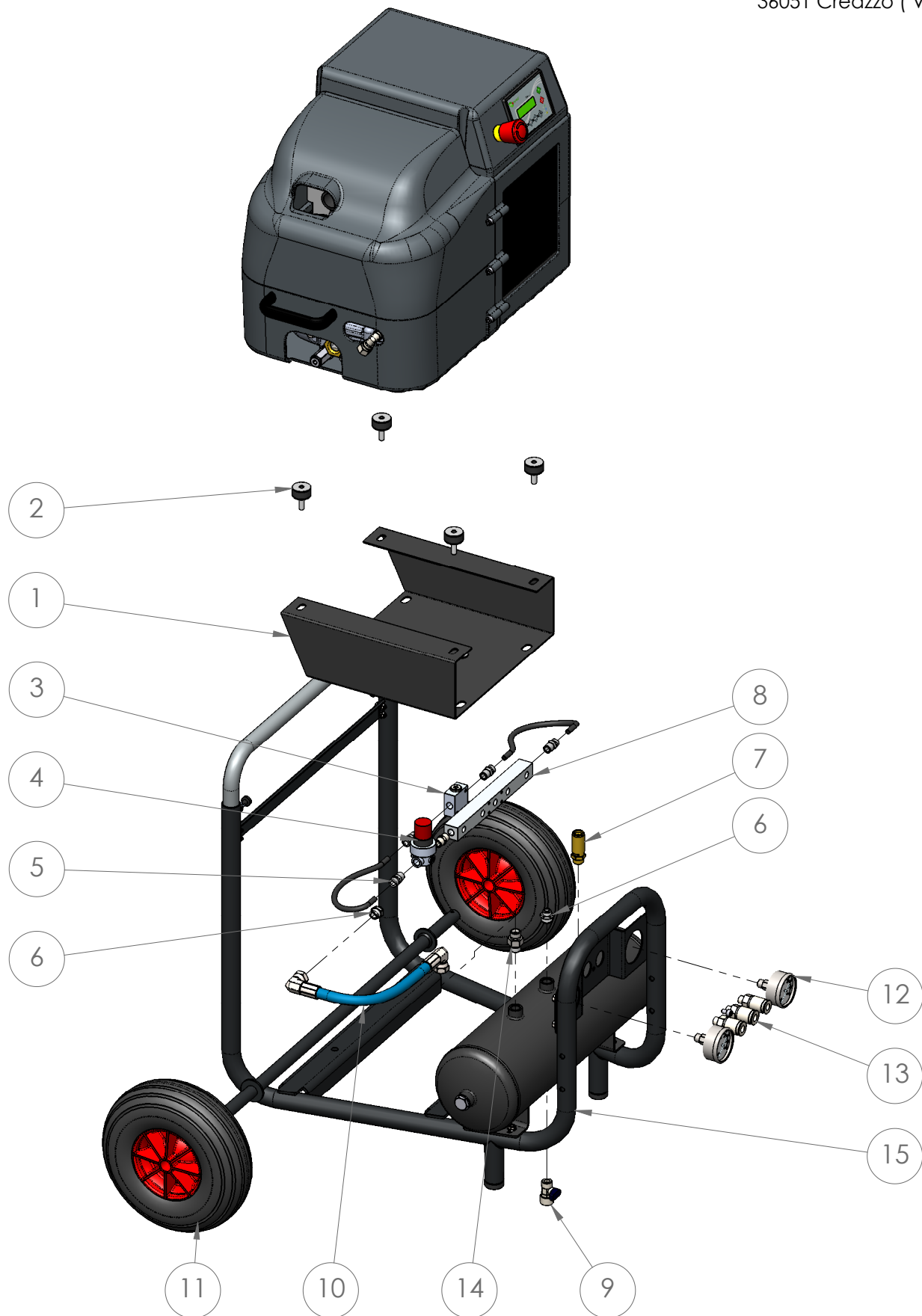
DATA **03/2024**
DATE

REVISIONE **01**
REVISION



N°	Codice Code	Q.tà Q.ty	Descrizione	Description	(*) Rec.
1	H08P0275	1	SERB. ARIA VERTICALE 270L 11 BAR Ø600	VERTICAL AIR TANK 270L 11 BAR Ø600	
2	F06R2185	1	TAPPO TEF 2"	PLUG G 2"	
3	F06R7172	1	RIDUZIONE 2"X3/4"	2" X 3/4" REDUCING CONNECTOR	
4	F06R9005	1	RUBINETTO A SFERA MF 3/8"	3/8" SPHERE VALVE	
5	F06R9007	1	RUBINETTO A SFERA MF 1/2" A FARFALLA	1/2" SPHERE VALVE	
6	F06R2382	1	MANOMETRO	MANOMETER	
7	F06R2100	1	NIPPLES SVASATO 3/8"	3/8" NIPPLE	
8	F06R2183	1	RACCORDO A 90° MF 3/8"	3/8" 90° FITTING	
9	F06R9009	1	VALVOLA DI SICUREZZA 3/8" 11 BAR	SAFETY VALVE 3/8" 11 BAR	
10	F06R0541	1	TUBO FLEX F90° 3/8" X F90° 3/8"	F90° 3/8"XF90° 3/8" AIR HOSE	
11	F06R7371	4	ANTIVIBRANTE M-F	ANTIVIBRATION M-F	
12	F06R2234	1	NIPPLES RIDOTTO SVASATO 3/8" X 1/4"	3/8" - 1/4" NIPPLE	

(*) Ricambi consigliati
Recommended spare parts

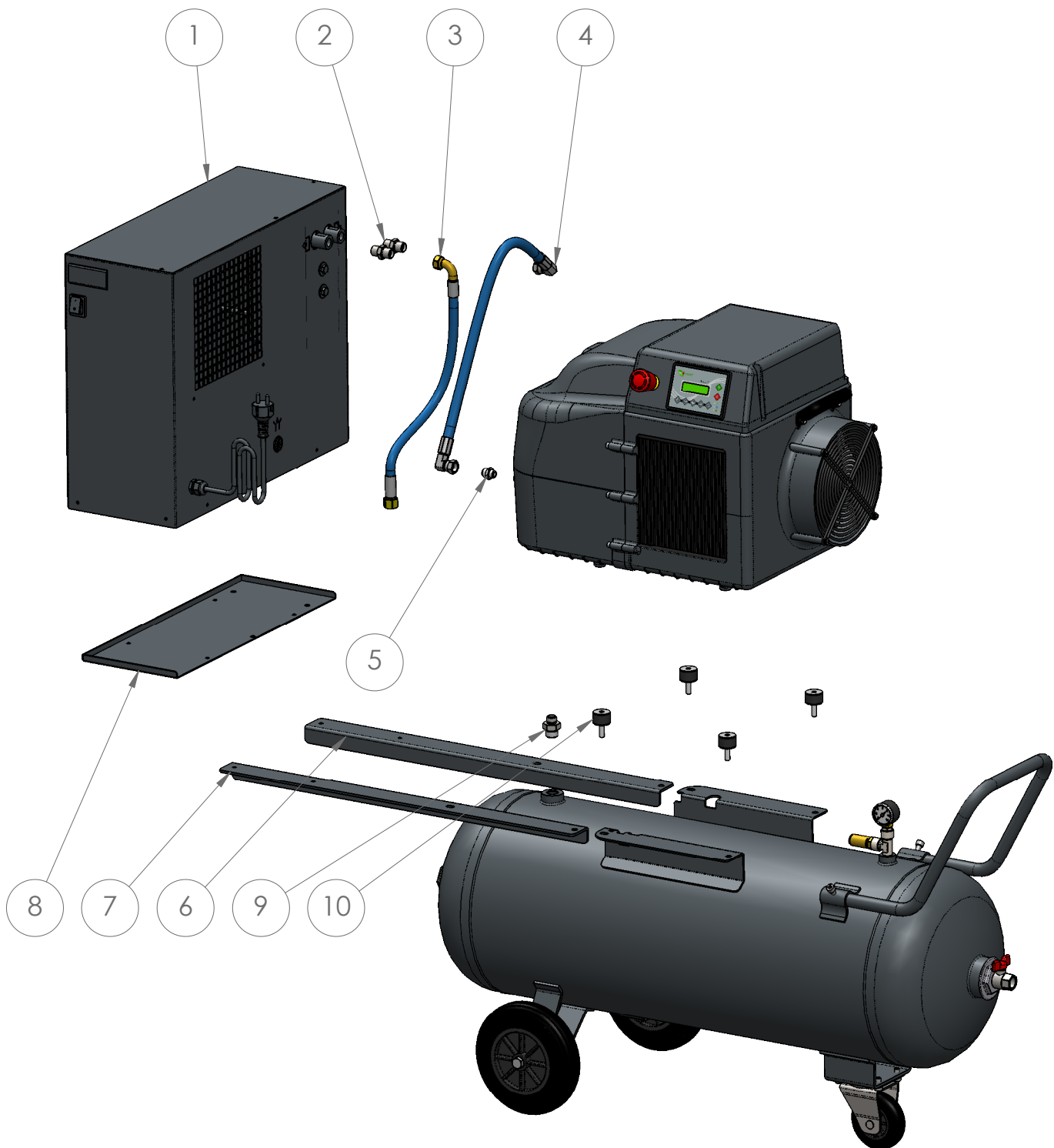


TIPO Ricambi versione trolley 8L TYPE <i>8L Trolley spare parts</i>	CODICE COMPACK SMART 2-3 CODE	DATA 03/2024 DATE	REVISIONE 01 REVISION
-------------------------------------------------------------------------------	-----------------------------------------	-----------------------------	---------------------------------

N°	Codice Code	Q.tà Q.ty	Descrizione	Description	(*) Rec.
1	A01Z2749	1	SUPPORTO COMPACK SMART TROLLEY 8L	COMPACK SMART 8L TROLLEY SUPPORT	
2	F06R7145	4	ANTIVIBRANTE	ANTI VIBRATION	
3	F06R9097	1	BLOCCHETTO 4 VIE	4 WAY BLOCK	
4	F06R9039	1	REGOLATORE DI PRESSIONE	PRESSURE REGULATOR	
5	F06R2206	4	RACCORDO DRITTO 1/4"	STRAIGHT FITTING 1/4"	
6	F06R2234	2	NIPPLO RIDOTTO 3/8" - 1/4"	3/8" - 1/4" REDUCED NIPPLE	
7	F06R9009	1	VALVOLA SICUREZZA 3/8" 11 BAR	SAFETY VALVE 3/8" 11 BAR	
8	F06R9040	1	BLOCCHETTO DISTRIBUTORE ARIA	AIR DISTRIBUTOR BLOCK	
9	F06R9005	1	RUBINETTO A SFERA MF 3/8"	BALL VALVE	
10	F06R0176	1	TUBO FLEX 3/8" L280 F90 X F90	FLEX TUBE 3/8" L280 F90 X F90	
11	F06R9119	2	RUOTA	WHEEL	
12	F06R2382	2	MANOMETRO	MANOMETER	
13	F06R9041	3	INNESTO RAPIDO 1/4"	RAPID CONNECTION 1/4"	
14	F06R2100	1	NIPPLO 3/8"	3/8" NIPPLE	
15	A01Z2313	1	TELAIO TROLLEY 8L	8L TROLLEY CHASSIS	

(*) Ricambi consigliati
Recommended spare parts

TIPO TYPE	Ricambi versione trolley 8L 8L Trolley spare parts	CODICE CODE	COMPACK SMART 2-3	DATA DATE	03/2024	REVISIONE REVISION	01
--------------	--------------------------------------------------------------	----------------	--------------------------	--------------	---------	-----------------------	----





KTC s.r.l. Via Palazzon 70
36051 Creazzo (VI) ITALY

N°	Codice Code	Q.tà Q.ty	Descrizione	Description	(*) Rec.
1	H08P0100	1	ESSICATORE KDE24	DRYER	
2	F06R2100	2	NIPPLO DI GIUNZIONE 3/8"	3/8" JOINT NIPPLE	
3	F06R0163	1	TUBO FLEX 3/8" L430 F90 X F DRITTO	FLEX TUBE 3/8" L430 F90 X F STRAIGHT	
4	F06R0169	1	TUBO FLEX 3/8" L600 F90 X F90	FLEX TUBE 3/8" L600 F90 X F90	
5	F06R2234	1	NIPPLO RIDOTTO 3/8" - 1/4"	REDUCED NIPPLE 3/8" - 1/4"	
6	A01Z2405	1	STAFFA SX SUPPORTO ESSICATORE	LEFT BRACKET DRYER SUPPORT	
7	A01Z2406	1	STAFFA DX SUPPORTO ESSICATORE	RIGHT BRACKET DRYER SUPPORT	
8	A01Z2209	1	STAFFA SUPPORTO ESSICATORE	DRYER SUPPORT BRACKET	
9	F06R2132	1	NIPPLO 1/2" - 3/8"	NIPPLE 1/2" - 3/8"	
10	F06R7371	1	ANTIVIBRANTE M8 30X20 M8X25	ANTI VIBRATION	

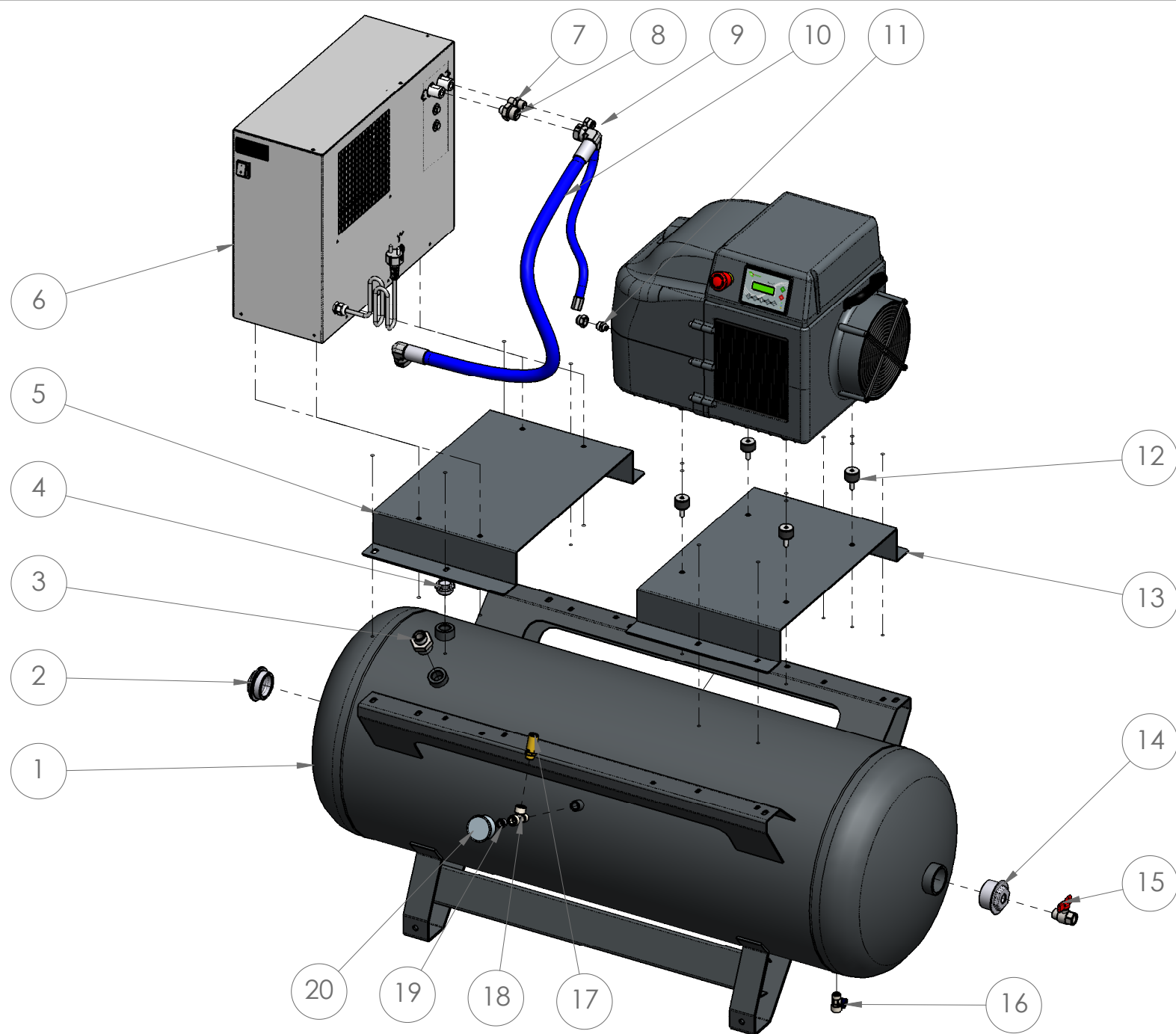
(*) Ricambi consigliati
Recommended spare parts

TIPO **Ricambi versione 90L + E**
TYPE **90L + E spare parts**

CODICE **COMPACT SMART 2-3**
CODE

DATA **03/2024**
DATE

REVISIONE **01**
REVISION



TIPO TYPE	Ricambi versione serbatoio 270L + E <i>Air tank version 270L + E spare parts</i>	CODICE CODE	COMPACK SMART 2-3	DATA DATE	03/2024	REVISIONE REVISION	01
--------------	--------------------------------------------------------------------------------------------	----------------	--------------------------	--------------	---------	-----------------------	----



KTC s.r.l. Via Palazzon 70
36051 Creazzo (VI) ITALY

N°	Codice Code	Q.tà Q.ty	Descrizione	Description	(*) Rec.
1	H08P0273	1	SERBATOIO ARIA 270L	270L AIR TANK	
2	F06R2185	1	TAPPO TEF 2"	2" CORK	
3	F06R2134	1	NIPPLO RIDOTTO 1" X 3/4"	REDUCED NIPPLE 1" X 3/4"	
4	F06R2113	1	TAPPO TEF 1"	1" CORK	
5	A01Z2796	1	SUPPORTO ESSICATORE PER SERBATOIO 270L	DRYER SUPPORT FOR 270L TANK	
6	H08P0100	1	ESSICATORE	DRYER	
7	F06R2100	1	NIPPLO 3/8"	NIPPLE 3/8"	
8	F06R2133	1	NIPPLO RIDOTTO 3/4" X 3/8"	REDUCED NIPPLE 3/4" X 3/8"	
9	F06R0695	1	TUBO FLEX 3/8 F90 CC X F90 CC L600	FLEX TUBE 3/8 F90 CC X F90 CC L600	
10	F06R0696	1	TUBO FLEX 3/4 F90 CC X F90 CC L1020	FLEX TUBE 3/4 F90 CC X F90 CC L1020	
11	F06R2234	1	NIPPLO RIDOTTO 3/8" X 1/4"	REDUCED NIPPLE 3/8" X 1/4"	
12	F06R7371	4	ANTIVIBRANTE M-F Ø30X20 M8	ANTIVIBRATION M-F Ø30X20 M8	
13	A01Z2797	1	SUPPORTO COMPACT SMART PER SERBATOIO 270L	COMPACT SMART SUPPORT FOR 270L TANK	
14	F06R2186	1	RIDUZIONE 2" X 1/2"	REDUCTION 2" X 1/2"	
15	F06R9007	1	RUBINETTO A SFERA MF 1/2"	BALL VALVE MF 1/2"	
16	F06R9005	1	RUBINETTO A SFERA MF 3/8"	BALL VALVE MF 3/8"	
17	F06R9009	1	VALVOLA DI SICUREZZA 3/8" 11 BAR	SAFETY VALVE 3/8" 11 BAR	
18	F06R2191	1	RACCORDO T MFF 3/8"	T FITTING MFF 3/8"	
19	F06R7060	1	RIDUZIONE 3/8" X 1/4"	REDUCTION 3/8" X 1/4"	
20	F06R2382	1	MANOMETRO Ø50 1/4"	MANOMETER Ø50 1/4"	

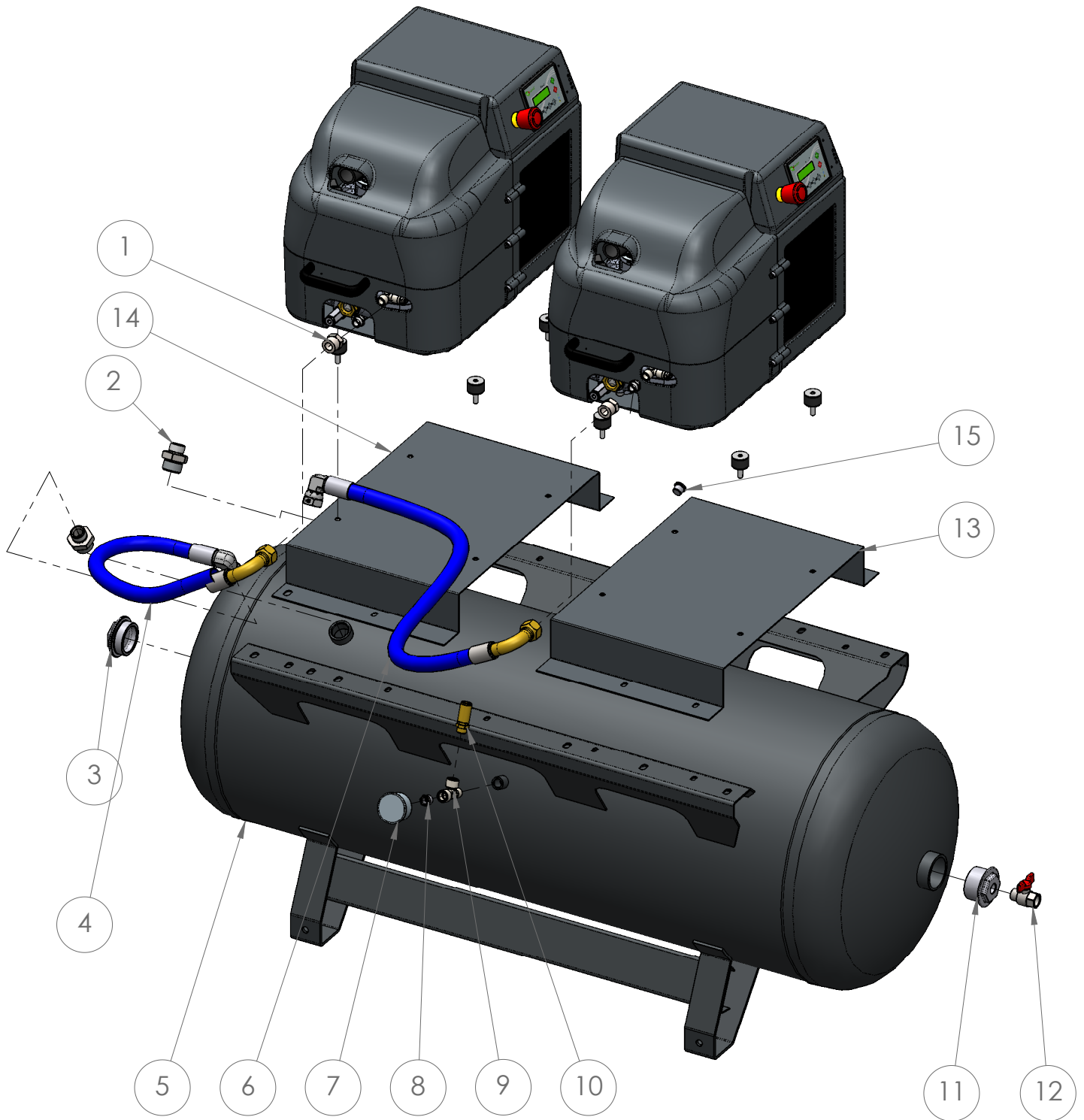
(*) Ricambi consigliati
Recommended spare parts

TIPO **Ricambi versione 270L + E**
TYPE 270L + E spare parts

CODICE
CODE **COMPACT SMART 2-3**

DATA
DATE 03/2024

REVISIONE
REVISION 01





KTC s.r.l. Via Palazzon 70
36051 Creazzo (VI) ITALY

N°	Codice Code	Q.tà Q.ty	Descrizione	Description	(*) Rec.
1	F06R7371	8	ANTIVIBRANTE M-F Ø30X20 M8X25	ANTI VIBRATION	
2	F06R2134	2	NIPPLO RIDOTTO 1" - 3/4"	REDUCED NIPPLE 1" - 3/4"	
3	F06R2185	1	TAPPO 2"	2" CORK	
4	F06R0576	1	TUBO FLEX 3/4" L650 F90 CC X F90	FLEX TUBE 3/4" L60 F90 CC X F90	
5	H08P0273	1	SERBATOIO ARIA 270L	270L AIR TANK	
6	F06R0577	1	TUBO FLEX 3/4" L1060 F90 CC X F90	FLEX TUBE 3/4" L1060 F90 CC X F90	
7	F06R2382	1	MANOMETRO Ø50	Ø50 MANOMETER	
8	F06R7060	1	RIDUZIONE 3/8" - 1/4"	REDUCTION 3/8" - 1/4"	
9	F06R2191	1	RACCORDO T 3/8"	3/8" T FITTING	
10	F06R9009	1	VALVOLA SICUREZZA 3/8" 11 BAR	11 BAR 3/8" SAFETY VALVE	
11	F06R2186	1	RIDUZIONE 2" - 1/2"	REDUCTION 2" - 1/2"	
12	F06R9007	1	RUBINETTO A SFERA 1/2"	BALL VALVE 1/2"	
13	A01Z2750	1	OMEGA 1 SUPPORTO COMPACK SMART	SUPPORT 1 COMPACK SMART	
14	A01Z2751	1	OMEGA 2 SUPPORTO COMPACK SMART	SUPPORT 2 COMPACK SMART	
15	F06R7059	1	TAPPO TCEI 3/8"	3/8" CORK	

(*) Ricambi consigliati

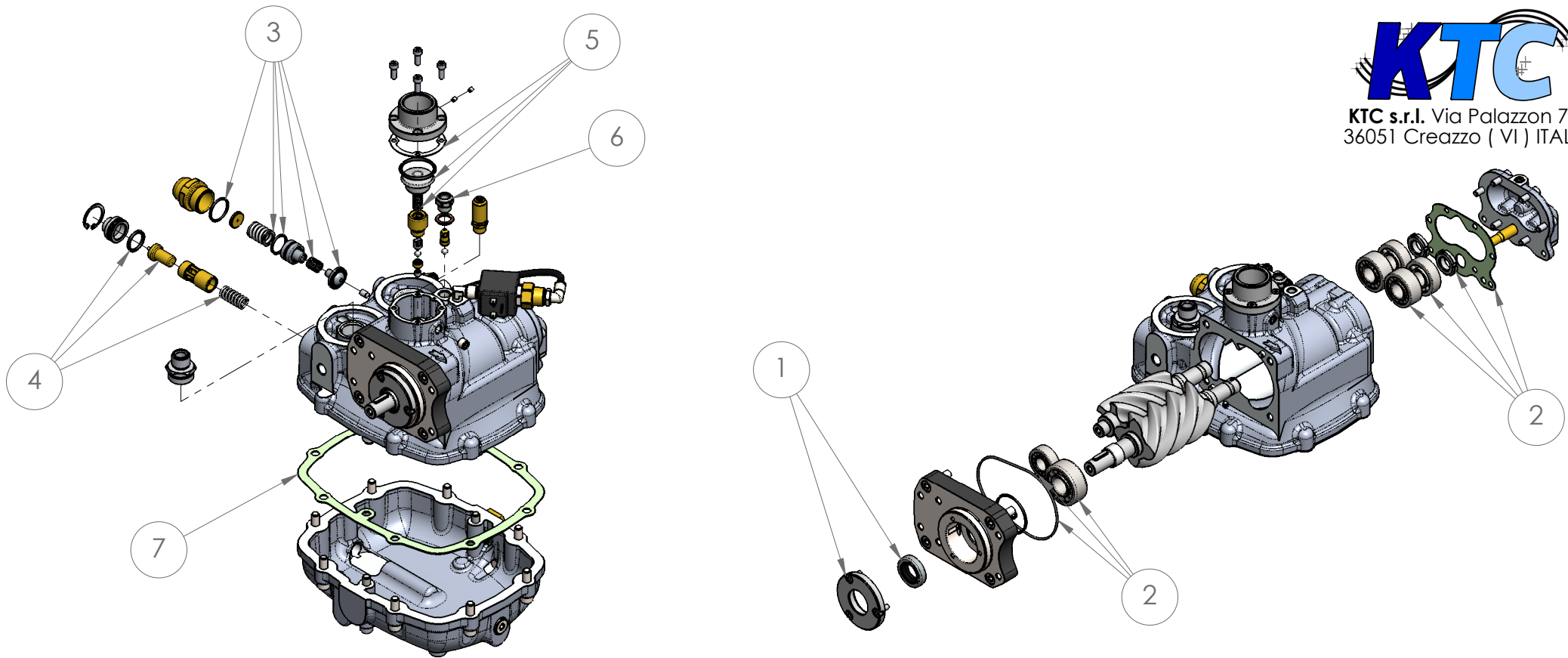
Recommended spare parts

TIPO **Ricambi versione tandem 270L**
TYPE 270L tandem spare parts

CODICE
CODE **COMPACK SMART 2-3**

DATA
DATE 03/2024

REVISIONE
REVISION 01



N°	Codice Code	Descrizione	Description	(*) Rec.
1	N11L3045 N11L3068	KIT RICAMBI PARAOLIO ADAM 60 KIT RICAMBI PARAOLIO ADAM 60 CCW	ADAM 60 SHAFT SEAL SPARE PARTS KIT ADAM 60 CCW SHAFT SEAL SPARE PARTS KIT	
2	N11L3046 N11L3069	KIT RICAMBI CUSCINETTI ADAM 60 KIT RICAMBI CUSCINETTI ADAM 60 CCW	ADAM 60 BEARINGS SPARE PARTS KIT ADAM 60 CCW BEARINGS SPARE PARTS KIT	
3	N11L3011	KIT RICAMBI V.M.P. G10 (1/2 - 3/4)	V.M.P. G10 (1/2 - 3/4) SPARE PARTS KIT	1
4	N11L3040	KIT RICAMBI VALVOLA TERMOSTATICA	THERMOSTATIC VALVE SPARE PARTS KIT	1
5	N11L3006	KIT RICAMBI REGOLATORE ADAM 60	ADAM 60 INTAKE VALVE PARTS KIT	1
6	N11L3048	VISORE RECUPERO OLIO	COMPLETE OIL RECOVERY VIEWER	
7	N11L3080	KIT GUARNIZIONE SERBATOIO ADAM 60	ADAM 60 TANK GASKET PARTS KIT	

(*) Ricambi consigliati
 Recommended spare parts

TIPO TYPE	Ricambi ADAM 60 Adam 60 spare parts	CODICE CODE	COMPACT SMART 2-3	DATA DATE	04/2024	REVISIONE REVISION	01
--------------	-----------------------------------------------	----------------	--------------------------	--------------	---------	-----------------------	----



KTC s.r.l. Via Palazzon 70
36051 Creazzo (VI) ITALY

HOURS	RICAMBI	SPARE PARTS	MAINTENANCE KIT (SYNTHETIC OIL)	MAINTENANCE KIT WITHOUT OIL
2000	Filtro aria Filtro olio Filtro disoleatore Olio	Inlet filter cartridge Oil filter Air/oil separator filter Oil	110735-01	110782
4000	Filtro aria Filtro olio Filtro disoleatore Olio Kit valvola termostatica Kit valvola minima pressione Kit regolatore aspirazione	Inlet filter cartridge Oil filter Air/oil separator filter Oil Thermostatic valve spare parts kit Minimum pressure valve spare parts kit Intake valve spare parts kit	110737-01	110785

TIPO Kit manutenzione TYPE <i>Maintenance kit</i>	CODICE COMPACT SMART 2-3 CODE	DATA 03/2024 DATE	REVISIONE 01 REVISION
-------------------------------------------------------------	-----------------------------------------	-----------------------------	---------------------------------