

## Pressure switch MDR 5



- 3-phase
- Switching capacity 5.5 kW
- Available with overload relay
- Max. cut-out pressure 45 bar
- 3-pole (N.C.)
- Acc. to EN 60947
- Flange = Die-cast aluminium



Video - Pressure switch settings  
MDR 5 /8

Order reference	Type code	ON / OFF Rotary knob	Pressure range P <sub>OFF</sub> in bar	Flange	Weight (in g)	Part No.
MDR 5/5	MDR-5 CAA BAAA 015A030 XXX XXX	-	1,5 - 5	G 1/2" Alu	820	212850
MDR 5/5-K	MDR-5 CAA AAAA 015A030 XXX XXX	K*	1,5 - 5	G 1/2" Alu	860	212867
MDR 5/5	MDR-5 COA BAAA 015A030 XXX XXX	-	1,5 - 5	G1/2" + G1/4" Alu	860	212874
MDR 5/5-K	MDR-5 COA AAAA 015A030 XXX XXX	K*	1,5 - 5	G1/2" + G1/4" Alu	900	212881
MDR 5/8	MDR-5 EAA BAAA 070A080 XXX XXX	-	2 - 8	G 1/2" Alu	820	212898
MDR 5/8-K	MDR-5 EAA AAAA 070A080 XXX XXX	K*	2 - 8	G 1/2" Alu	860	212904
MDR 5/8	MDR-5 EOA BAAA 070A080 XXX XXX	-	2 - 8	G 1/2" + G 1/4" Alu	860	212911
MDR 5/8-K	MDR-5 EOA AAAA 070A080 XXX XXX	K*	2 - 8	G 1/2" + G 1/4" Alu	900	212928
MDR 5/11	MDR-5 GAA BAAA 090A110 XXX XXX	-	2 - 11	G 1/2" Alu	820	212935
MDR 5/11-K	MDR-5 GAA AAAA 090A110 XXX XXX	K*	2 - 11	G 1/2" Alu	860	212942
MDR 5/11	MDR-5 GOA BAAA 090A110 XXX XXX	-	2 - 11	G1/2" + G1/4" Alu	860	212959
MDR 5/11-K	MDR-5 GOA AAAA 090A110 XXX XXX	K*	2 - 11	G1/2" + G1/4" Alu	900	212966
MDR 5/16	MDR-5 HAA BAAA 130A160 XXX XXX	-	2,5 - 16	G 1/2" Alu	820	212973
MDR 5/16-K	MDR-5 HAA AAAA 130A160 XXX XXX	K*	2,5 - 16	G 1/2" Alu	860	212980
MDR 5/16	MDR-5 HOA BAAA 130A160 XXX XXX	-	2,5 - 16	G1/2" + G1/4" Alu	860	212997
MDR 5/16-K	MDR-5 HOA AAAA 130A160 XXX XXX	K*	2,5 - 16	G1/2" + G1/4" Alu	900	213000
MDR 5/45	MDR-5 KAA BAAA 300 A400 XXX XXX	-	13 - 45	G 1/2" Alu	820	256182
MDR 5/45-K	MDR-5 KAA AAAA 300 A400 XXX XXX	K*	13 - 45	G 1/2" Alu	860	258513

\*For these switches, a thermal, 3-pole overload relay has to be ordered separately, the ON/OFF mechanism will only work with an additional relay  
Unloader valves and cable glands for retrofitting, see accessories!

## Special model IP 65



- Applications: e.g. pump shafts
- 3-phase
- Switching capacity 5.5 kW
- Max. cut-out pressure 16 bar
- Incl. cable glands PG 16/13,5 ZK
- 3-pole (N.C.)
- Acc. to EN 60947
- Degree of protection IP 65
- Flange: Galvanised steel, **NEW!** Stainless steel or brass



MDR 5/5 - G 1/2" Stainless steel

Order reference	Type code	ON / OFF Rotary knob	Pressure range P <sub>OFF</sub> in bar	Flange	Weight (in g)	Part No.
MDR 5/5 <b>NEW</b>	MDR 5 CYA BAAA 015A030 X00 XXZ	-	1,5 - 5	G 1/2" galv. steelt	775	279273
MDR 5/8 <b>NEW</b>	MDR-5 EYA BAAA 070A080 X00 XXZ	-	2 - 8	G 1/2" galv. steel	775	279280
MDR 5/5	MDR-5 CVA BAAA 150A030 XNN XXZ	-	1,5 - 5	G 1/2" SS	775	275152
MDR 5/8	MDR-5 EVA BAAA 070A080 XNN XXZ	-	2 - 8	G 1/2" SS	775	257169
MDR 5/5	MDR-5 CRA BAAA 015A030 XNN XXZ	-	1,5 - 5	G 1/2" brass	775	275176
MDR 5/8	MDR-5 ERA BAAA 070A080 XNN XXZ	-	2 - 8	G 1/2" brass	775	275183

# Pressure switch MDR 5

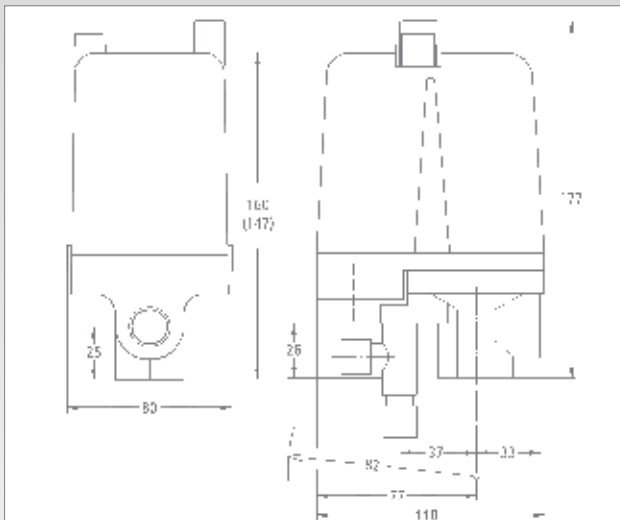
Technical Data MDR 5 acc. to EN 60947	
Rated insulation voltage $U_i$	500 V
Motor switching capacity (AC 3) $U_e=240$ V (1~)	2,5 kW
Motor switching capacity (AC 3) $U_e=230$ V (3~)	4,0 kW
Motor switching capacity (AC 3) $U_e=400$ V (3~)	5,5 kW
Motor switching capacity (AC 3) $U_e=500$ V (3~)	4,0 kW
Electrical life (AC 3) Cycles	$> 1 \times 10^5$
Mechanical life Cycles	$> 5 \times 10^5$
Max. electrical cycles Cycles/h	120
Max. mechanical cycles Cycles/h	600
Rated operational current $I_e$ at 400 V AC 3 / 500 V AC 3	16 A / 12 A

Technical Data MDR 5 acc. to EN 60947		
Bursting strength $P_z$	up to 16 bar up to 45 bar	$> 40$ bar $> 60$ bar
Permissible medium temperature Air		- 5...+ 80 °C
Permissible medium temperature Water		+ 80 °C
Degree of Protection acc. to EN 60529		IP 54 / IP 65
Conductor cross-section 1 ... fine stranded cable 1 x / 2 x		2,5 / 2,5 mm <sup>2</sup>
Conductor cross-section 1 ... rigid cable 1 x / 2 x		4 / 4 mm <sup>2</sup>

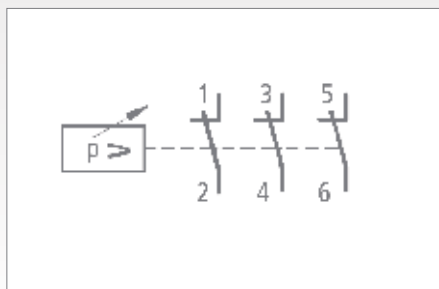
Diaphragm media resistance MDR 5	
A detailed overview of diaphragm media resistance for all pressure switches can be found on page 22. Please read the information carefully.	

High performance  
Pressure switches

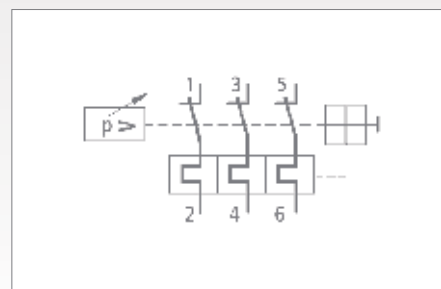
## Dimensions MDR 5



Pressure switch MDR-5 G1/2" + Gauge connection G1/4"



MDR 5



MDR 5K - R5

## Accessories MDR 5

Order reference	Description	Weight (in g)	Part No.
<b>Unloader valves</b>			
EV 5 <sup>1)</sup>	With screw connection for 6 mm plastic or copper discharge tubes, screw connection for vent port	30	201878
EV 5i <sup>1)</sup>	With screw connection for 1/4" plastic or copper discharge tubes	30	201885
EV 5E <sup>1)</sup>	With screw connection for 6 mm plastic or copper discharge tubes	25	201892
EV 5Ei <sup>1)</sup>	With screw connection for 1/4" plastic or copper discharge tubes	25	201908
EV 5H	High pressure relief valve from 16 bar with screw connection for 6 mm copper relief line	30	201915
<b>Delayed unloader valves</b>			
AEV 5	With screw connection for 6 mm plastic or copper discharge tubes	25	201939
AEV 5i	With screw connection for 1/4" plastic or copper discharge tubes	25	201946
<b>Cable glands</b>			
WN M20	Grommet	6	269496
VS-M20	Screw plug M20		269502
M20 Z	With strain relief, clamping range 6-12 mm	12	269533
M20 ZK	With strain relief and cable support, clamping range 6-12 mm	12	269540
M20 L	With strain relief, clamping range 10-14 mm	12	269519
M20 LK	With strain relief and cable support, clamping range 10-14 mm	12	269526
MW 5	Mounting bracket	120	230045
<b>Cover</b>			
H5 (Cover MDR 5)	Cover without push-buttons	130	230052
H5-K (Cover MDR 5+K)	Cover with On/Off push-buttons (Only functions together with the thermal R5 overload relay)	150	217527
<b>Thermal, 3-pole overload relay</b>			
R 5/1,5	0,86 - 1,50 A	150	202028
R 5/2,45	1,50 - 2,45 A	150	202035
R 5/4,2	2,40 - 4,20 A	150	202042
R 5/7,0	4,00 - 7,00 A	150	202059
R 5/10,3	6,10 - 10,3 A	150	202066
R 5/14,0	9,00 - 14,0 A	150	202073
R 5/18,0	11,0 - 18,0 A	150	202080

<sup>1)</sup> bis ≤ 16 bar

## Unloader valves / Delayed unloader valves



EV 5, EV 5i, EV 5H



EV 5E / EV 5Ei



AEV 5 / AEV 5i

## Cable glands MDR 5



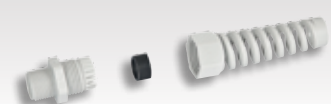
WN-M 20



VS - M 20

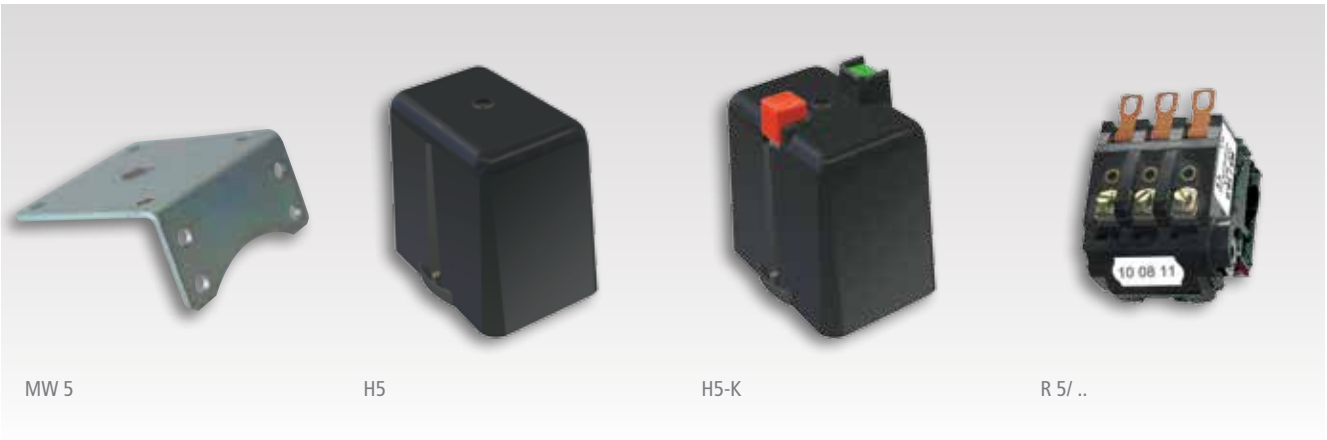


M 20 Z / M 20 L



M 20 ZK / M 20 LK

## Accessories, Miscellaneous MDR 5



MW 5

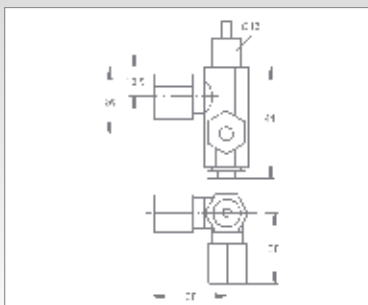
H5

H5-K

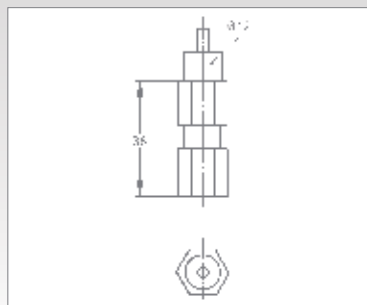
R 5/..

High performance  
Pressure switches

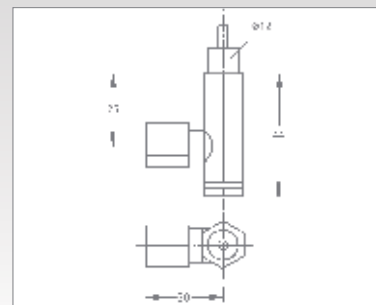
## Dimensions, Accessories



EV 5 / EV 5i / EV 5H

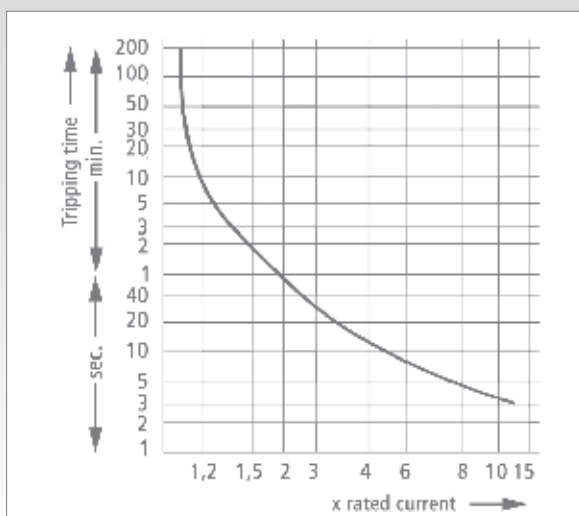


EV 5E / EV 5Ei



AEV 5 / AEV 5i

## Tripping curves R5 (average)



## Pressure Diagrams MDR 5

