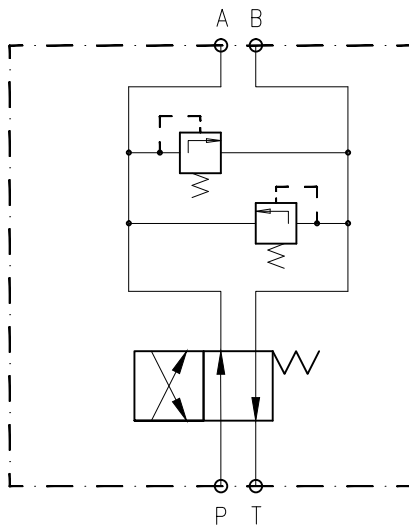
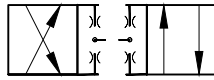


# 4/2FDV10111A1-FSTG34-RVAB2



Spool Intermediate position



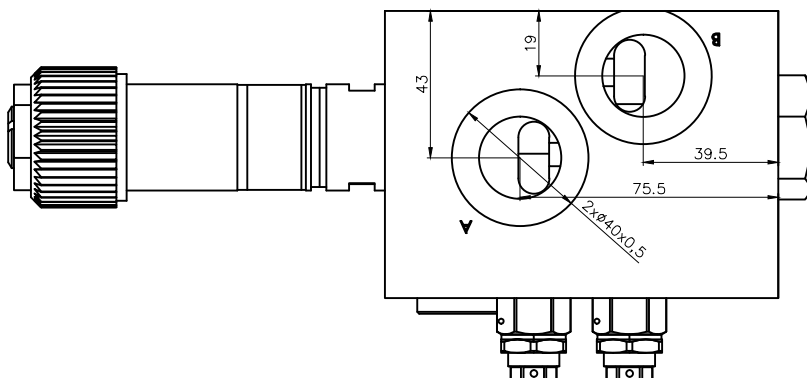
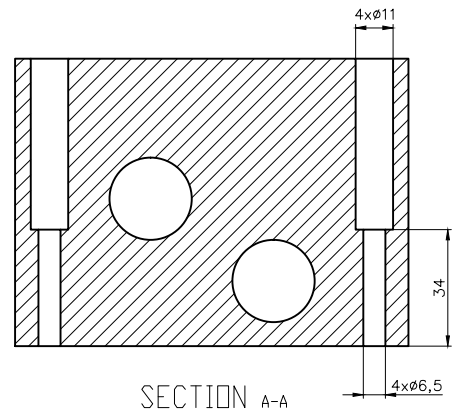
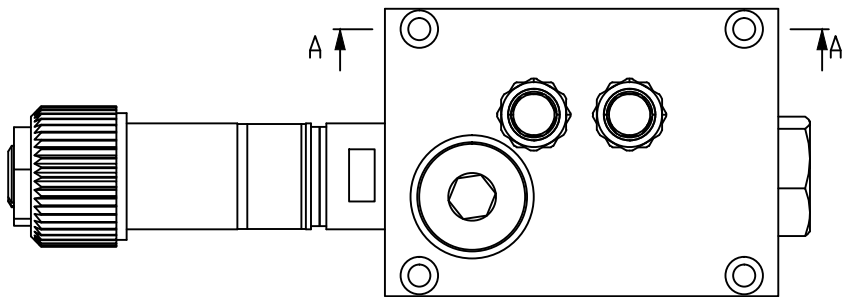
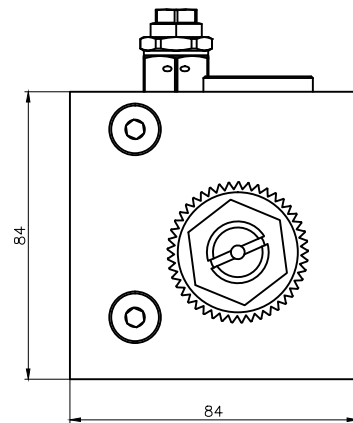
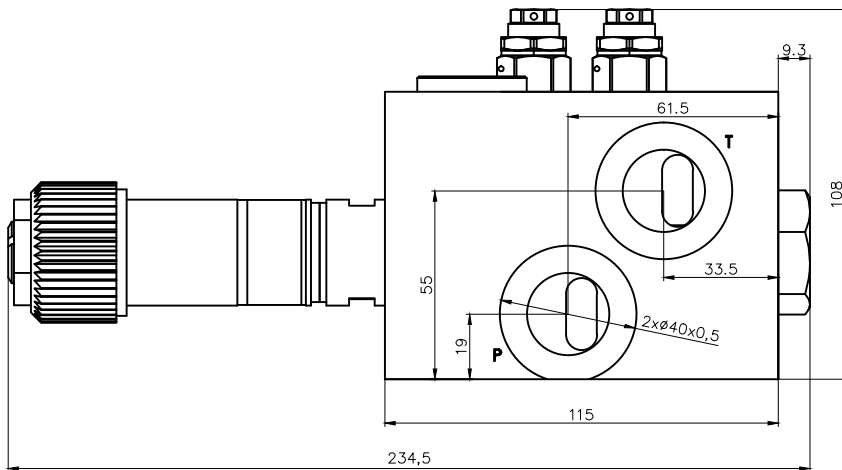
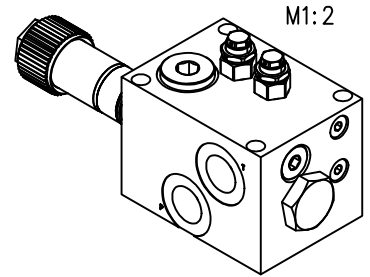
## TECHNICAL DATA

Max. pressure-210bar.

Max. flow-80l/min.

Threads: P,T,A,B-G3/4"

Pressure relief setting pressure-151bar



4/2FDV10111A1-FSNG34-RVAB2 - ID253667

Coil 12V DC - ID33109

Coil 24V DC - ID12264