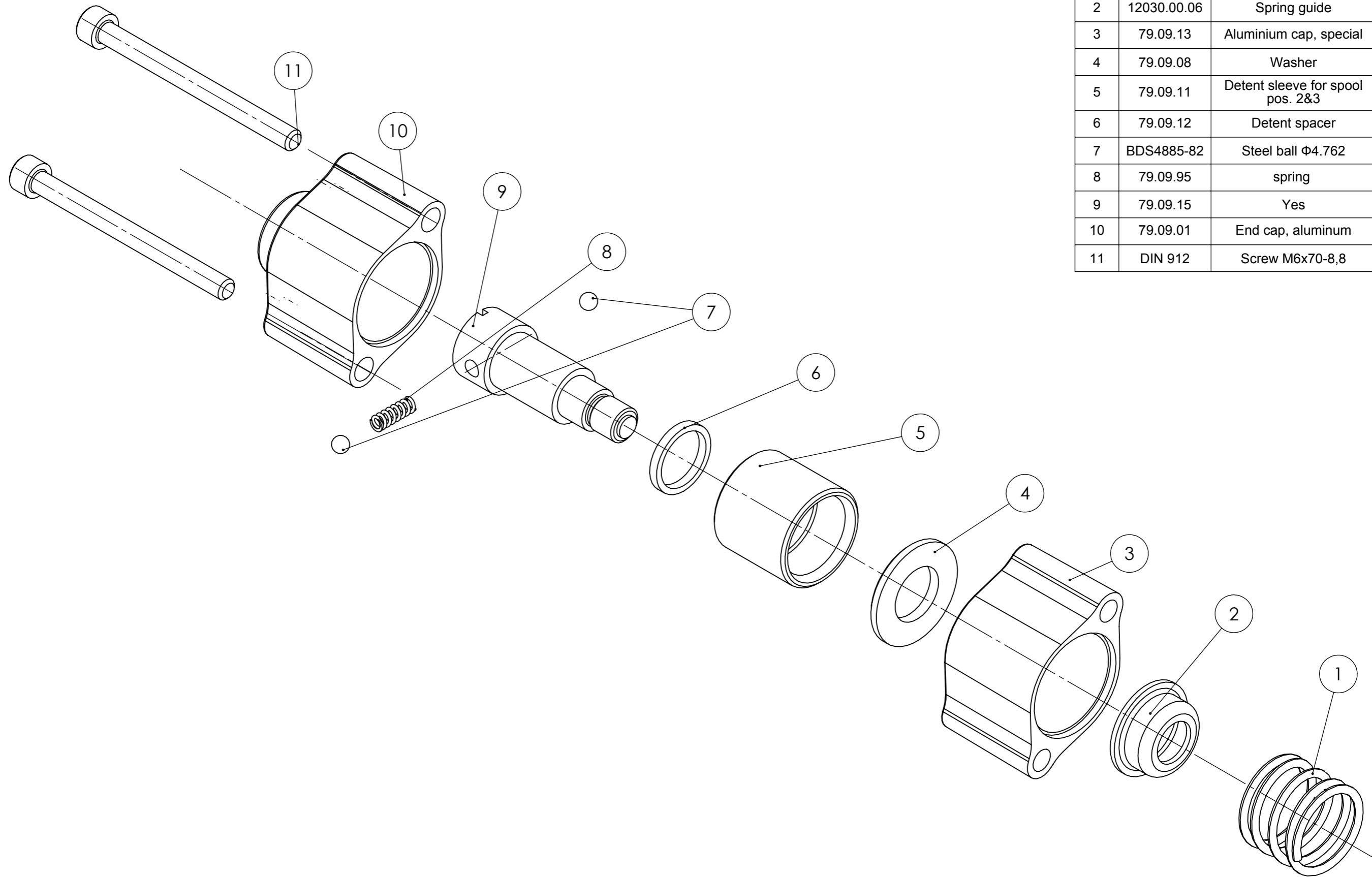


79.09.00-03



ITEM	PART NO.	DESCRIPTION	QTY.
1	79.09.89	Spring SP1	1
2	12030.00.06	Spring guide	1
3	79.09.13	Aluminium cap, special	1
4	79.09.08	Washer	1
5	79.09.11	Detent sleeve for spool pos. 2&3	1
6	79.09.12	Detent spacer	1
7	BDS4885-82	Steel ball $\Phi 4.762$	2
8	79.09.95	spring	1
9	79.09.15	Yes	1
10	79.09.01	End cap, aluminum	1
11	DIN 912	Screw M6x70-8,8	2

Drawn By	K.K.	31.01.17	sheet	1/1	material	
Checked By	C.П.	31.01.17	scale	1:1		
					description	maca/weight kg
					Spool positioner 3 (det. in 2 spring return from 1)	0.228
					<b>Badestnost</b> hydraulic components	№ <b>79.09.00-03</b>