

SALES DEPARTMENT

RE.: RESTYLING OF DFE10 ELECTRIC DIVERTER FAMILY

Dear Customer,

after the replacement of D16 sleeve with D19C, it was necessary to update the bodies and the relative name of the family in DFE102.

The diverters will have different layouts, but functional and electrical characteristics will be the same. Furthermore, the galvanization (CRZ) on the body has been implemented, maintaining the same corrosion resistance characteristics of the bodies with CVN protection (primer).

All p/n will be progressively replaced by the new ones, as well as the bodies sold loose.

The cost increase will be applied only on the bodies that were supplied without painting.

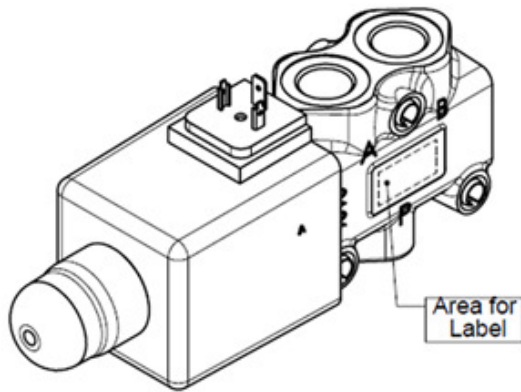
In case of need, the option of painting on top of galvanization is available.

For the price update, you will be contacted from your sales representative.

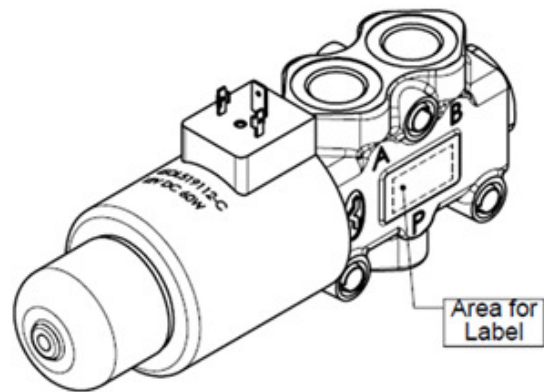
Please, be informed that the identification will be done with an adhesive label instead of the current etching.

SALES DEPARTMENT

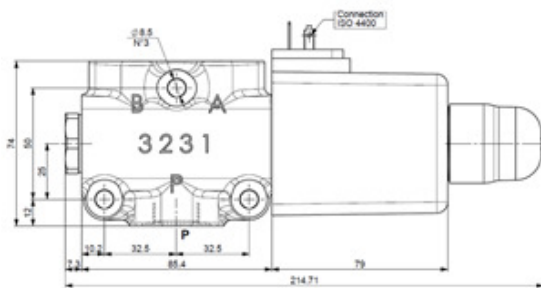
CURRENT DFE10/3 DIVERTER VALVE



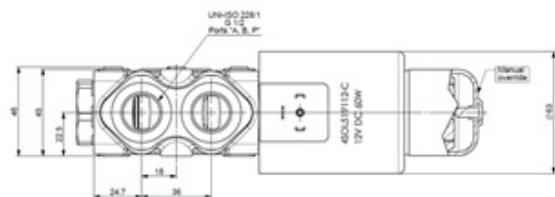
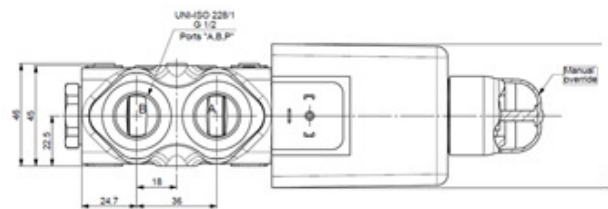
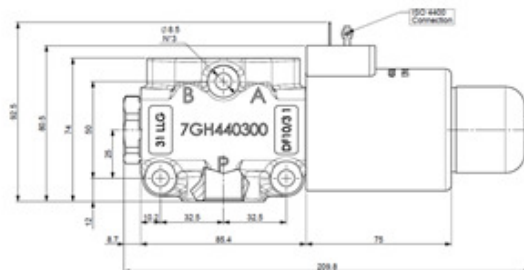
NEW DFE102/03 DIVERTER VALVE



CURRENT DFE10/3 DIVERTER VALVE

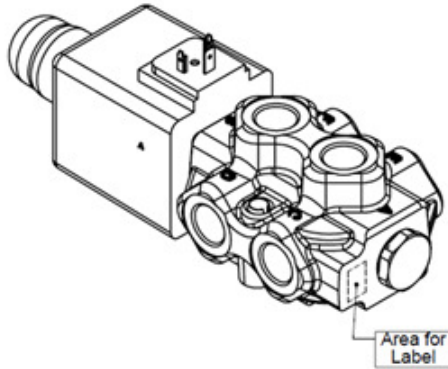


NEW DFE102/03 DIVERTER VALVE

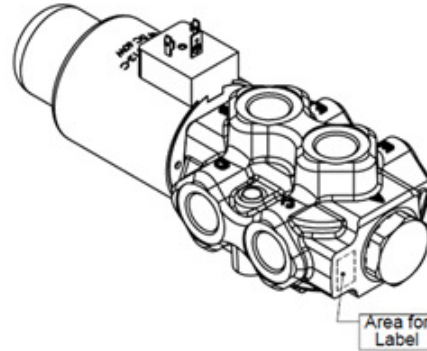


SALES DEPARTMENT

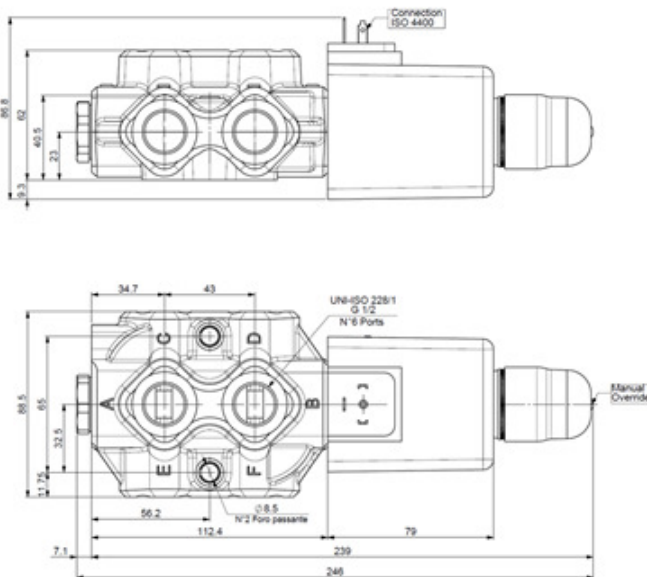
CURRENT DFE10/06 DIVERTER VALVE



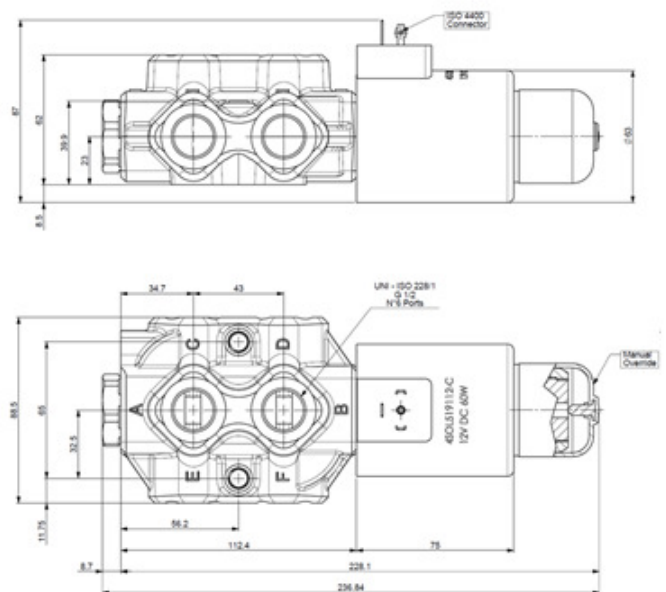
CURRENT DFE102/6 DIVERTER VALVE



CURRENT DFE10/06 DIVERTER VALVE



CURRENT DFE102/6 DIVERTER VALVE



At your disposal for any further information

Best Regards
Sales Dept.

Reggio Emilia, the 5th August 2021