

# J2 H/L 20 - 140s

IP65

Compact actuator for regulation and control of valves. Equipped with extra limit switches (ELS), manual override. Valve-Interface according ISO 5211/DIN 3337, connectors, heater, electronic limiter.

## technical dates

### model L

voltage range	24 V AC/DC
current consumption	0,18 A - 2,14 A
operating time s/90°	ca. 140 s

### model H

voltage range	85 - 240 V AC/DC
current consumption	0,01 A - 0,28 A
operating time s/90°	ca. 140 s

### heater

3,5 W

### break torque

**25 Nm**

### operational torque

**20 Nm**

### duty rating [ED]

75%

### protection class

IP65

### temperature range

-20 °C to 70 °C

### flange

F03/F04/F05

### double square

9 mm, 11 mm, 14 mm Achtkant

### connectors

DIN 43650 ISO 4400 C-192/C-193

### housing

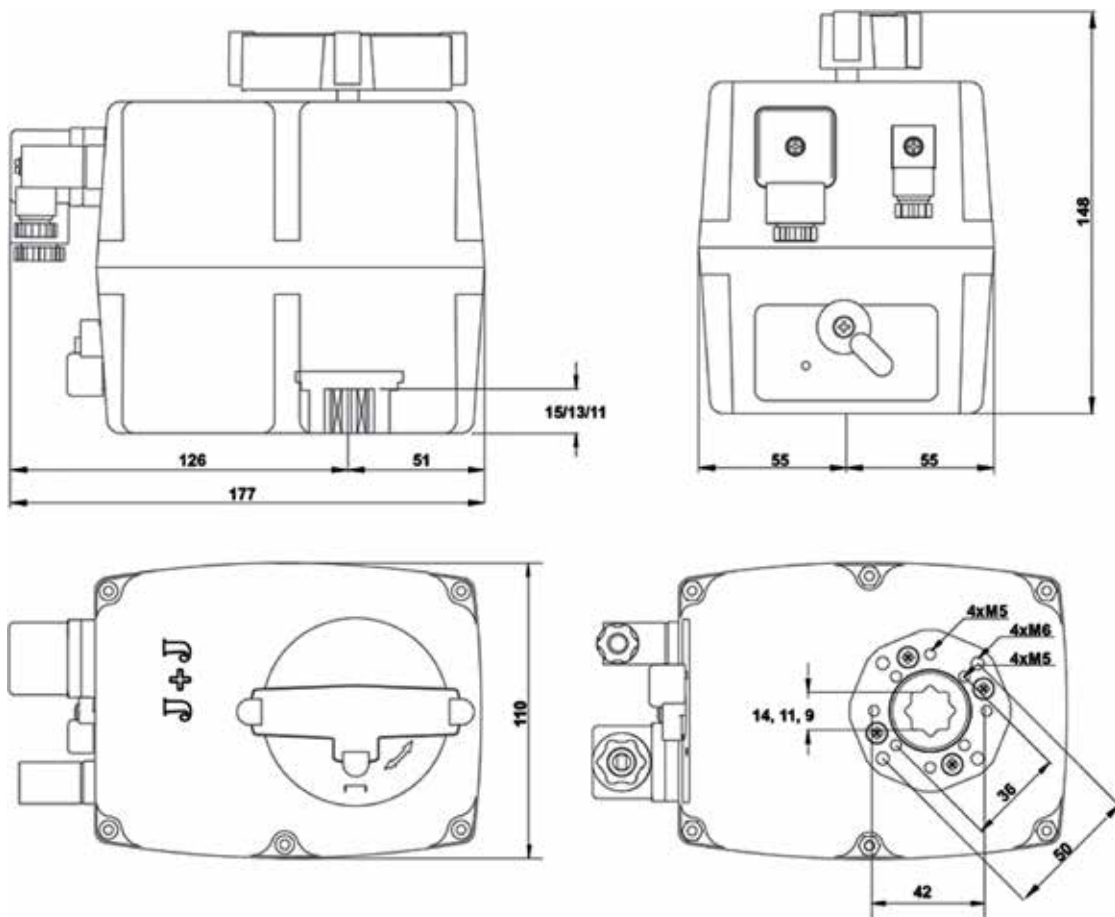
polyamide (PA 6)

### ELS

5 A 125 V AC / 3 A 250 V AC

### optional features

not available for this model



<p><b>Power Standard</b></p> <p>AC/DC 2 Punkt Regelung 2 point control</p> <p>Stecker/Plug 1</p>	<p><b>Potentialfreie Endlagen / potentialfree limit switches</b></p> <p>extern external</p> <p>Eingang/Input</p> <p>L +</p> <p>Stecker/Plug 4</p> <p>Ausgang/Output</p> <p>L +</p> <p>Zur/Close</p> <p>Auf/Open</p>
<p>AC/DC 3 Punkt Regelung 3 point control</p> <p>Stecker/Plug 1</p>	<p>intern internal</p> <p>Stecker/Plug 4</p>
<p>DC 2 Draht 2 wires</p> <p>Stecker/Plug 1</p>	<p>intern internal</p> <p>Stecker/Plug 4</p>