

TECHNICAL DATA

Body Type	Line mount
Interface	None
Body Features	Ninety degree with high capacity port 3
Mounting Hole Diameter	8.6 mm
Mounting Hole Depth	Through
Mounting Hole Quantity	2
Open Cavities	1
Cavity	T-11A
Port Size	3/8" BSPP
Model Weight	0.33 kg.

NOTES

Important: Carefully consider the maximum system pressure. The pressure rating of the manifold is dependent on the manifold material, with the port type/size a secondary consideration. Manifolds constructed of aluminum are not rated for pressures higher than 3000 psi (210 bar), regardless of the port type/size specified.

PORT DESIGNATORS

Modifiers	Ports
EAU, /10, /11, /S, /S3	All Ports: 3/8" BSPP;

CONFIGURATION OPTIONS

Model Code Example: EAU

MODIFIER

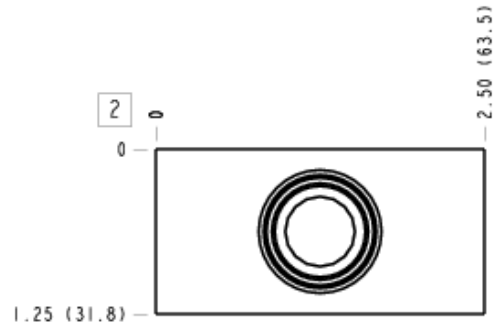
- 6061-T651 Aluminum, Buna-N**
- /11 6061-T651 Aluminum, Buna-N, Clear Anodize - Per MIL SPEC 8625F Type II, Class I
- /10 6061-T651 Aluminum, Buna-N, Black Anodize - Per MIL SPEC 8625F Type II, Class II
- /S 65-45-12 Ductile Iron, Buna-N, Dewatering Oil
- /S4 65-45-12 Ductile Iron, Buna-N, Chem. Black
- /S3 65-45-12 Ductile Iron, Buna-N, Trivalent Clear Zinc with Top Sealer

MANIFOLD FACES

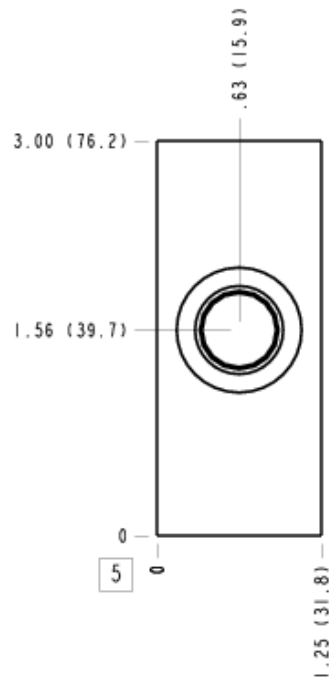
FACE GRID

1	2	3	4
5	6	7	8
9	10	11	12

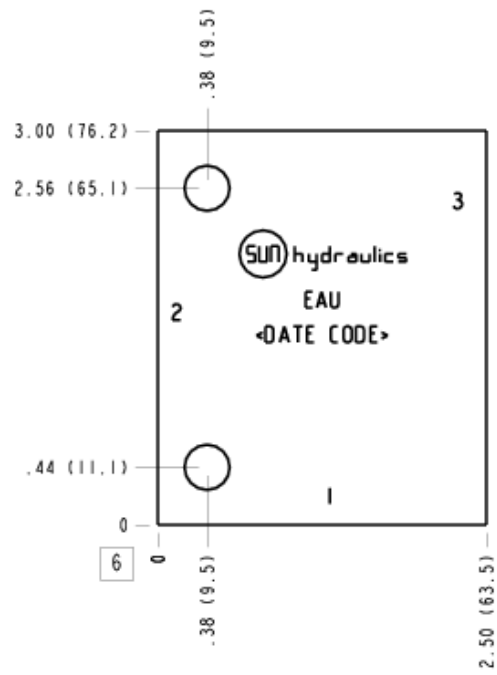
Face 2



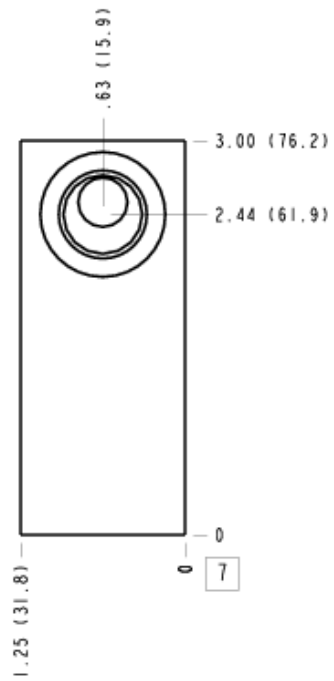
Face 5



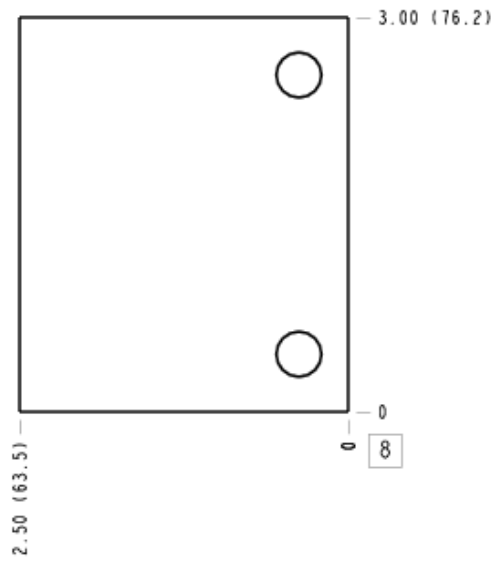
Face 6



Face 7



Face 8



Face 10

