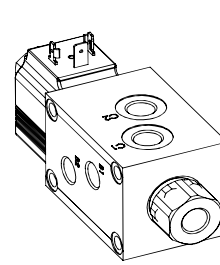
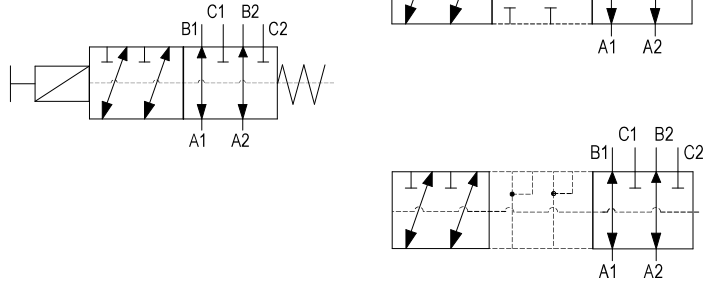
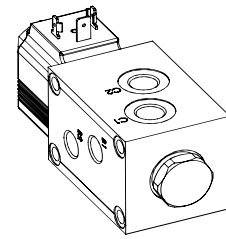


AVAILABLE TRANSIT POSITIONS

HYDRAULIC CIRCUIT



EXTERNAL DRAIN

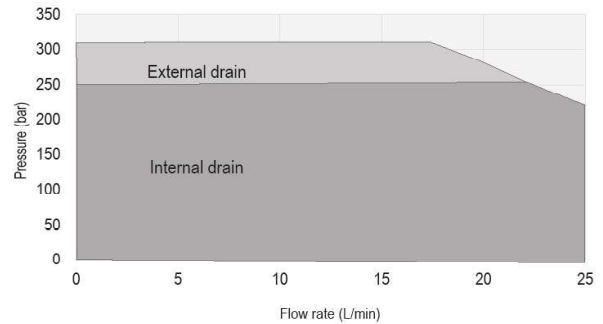
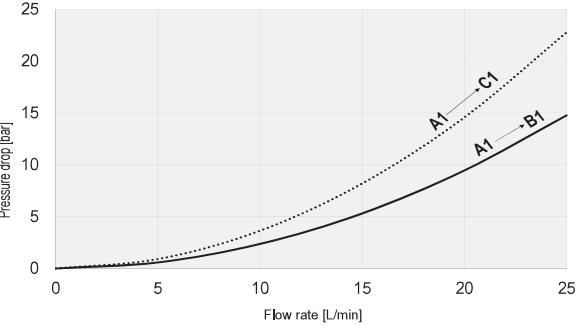


INTERNAL DRAIN

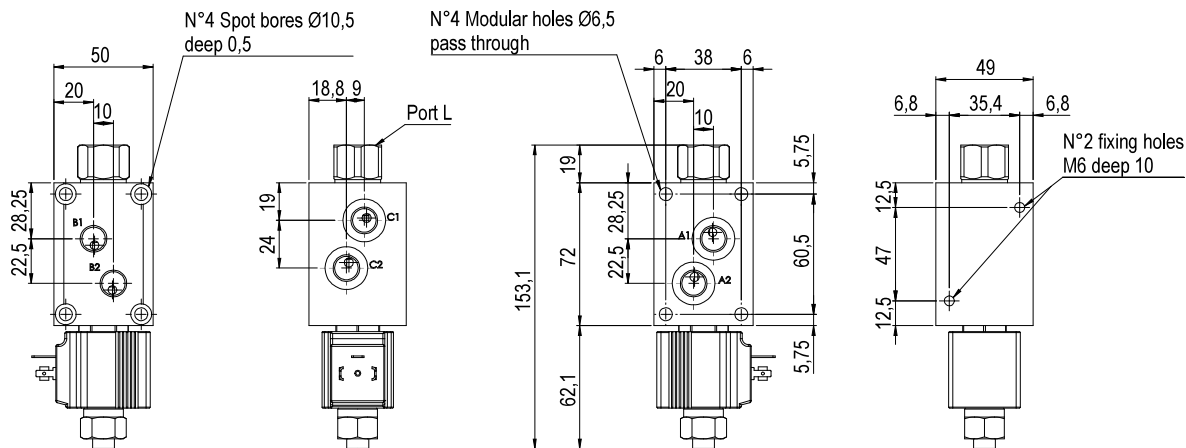
TECHNICAL DATA

Number ways available	6 - 8 - 10	ways
Maximum Flow rate total	25	L/min
Maximum Flow rate on the single line	12,5	L/min
Maximum Pressure with drainage	310	bar
Maximum Pressure without drainage	250	bar
Ports Dimension	BSPP 1/4"	
Supply Voltage	12 (±10%)	VDC
	24 (±10%)	VDC
Nominal Power	27	W
Electrical connections Type	DIN 46350	
	DEUTSCH DT4	
Maximum Leakage @ 100 bar (per line)	15 (referred to ISO-VG46 oil @ 40°C)	cm ³ /min
Oil viscosity	12 ÷ 400	mm ² /s
Viscosity operating range	15 ÷ 75	mm ² /s
Oil temperature	-20 ÷ 100	°C
Max Contamination index	ISO4406:1999 Class 18/16/13	
Ambient Temperature	-30 ÷ 50	°C
Gaskets	NBR (standard)	-30 ÷ 130 °C
	VITON	-20 ÷ 205 °C
Weight (single section)	1,3	Kg

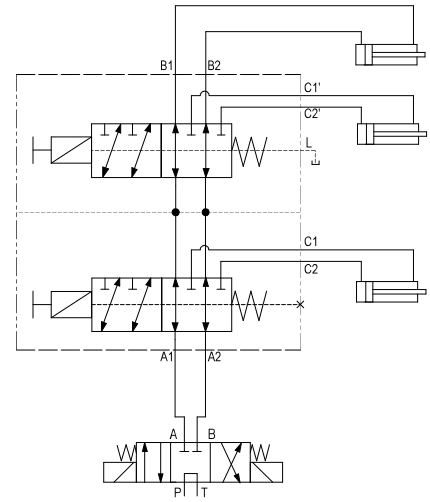
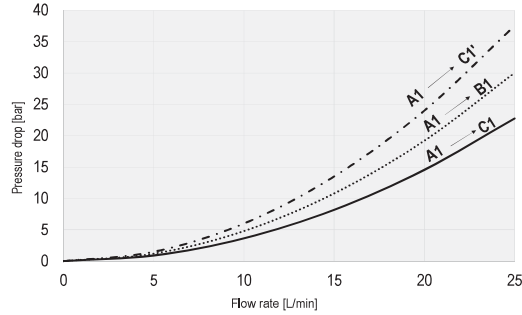
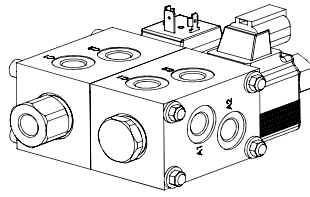
PERFORMANCES



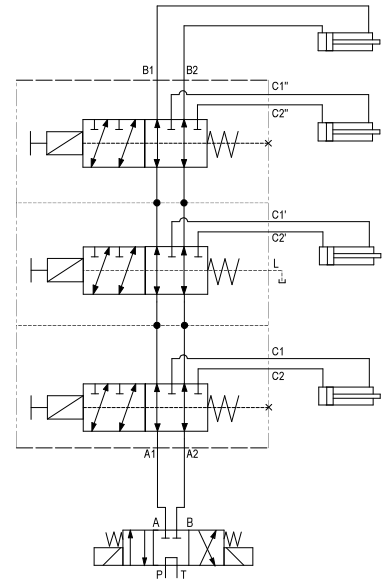
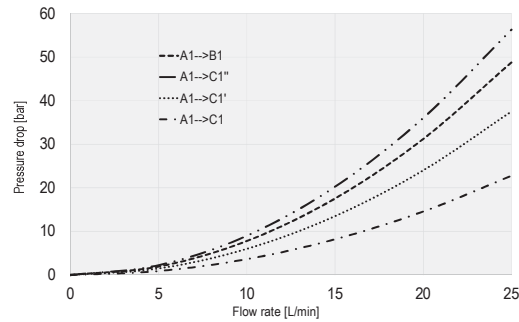
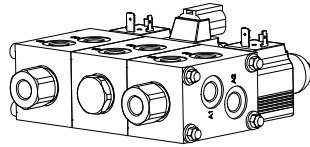
OVERALL DIMENSIONS



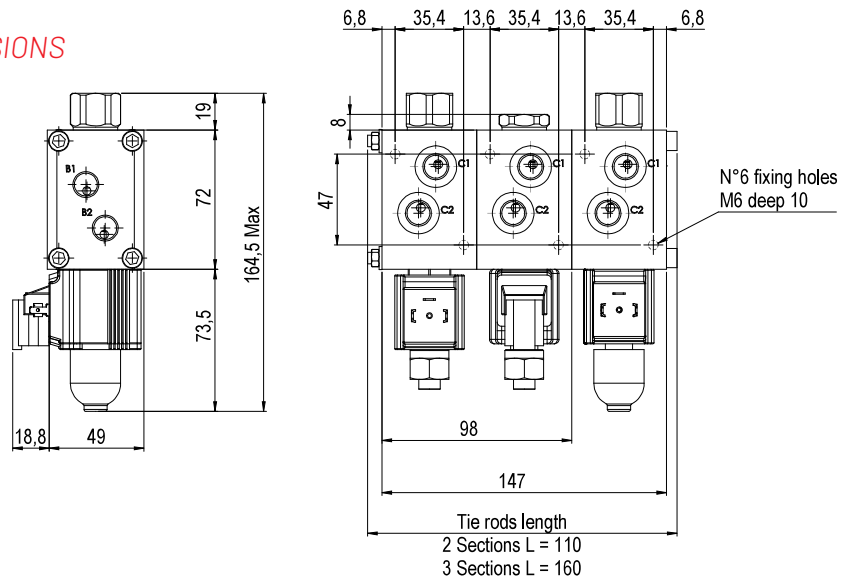
8 WAYS



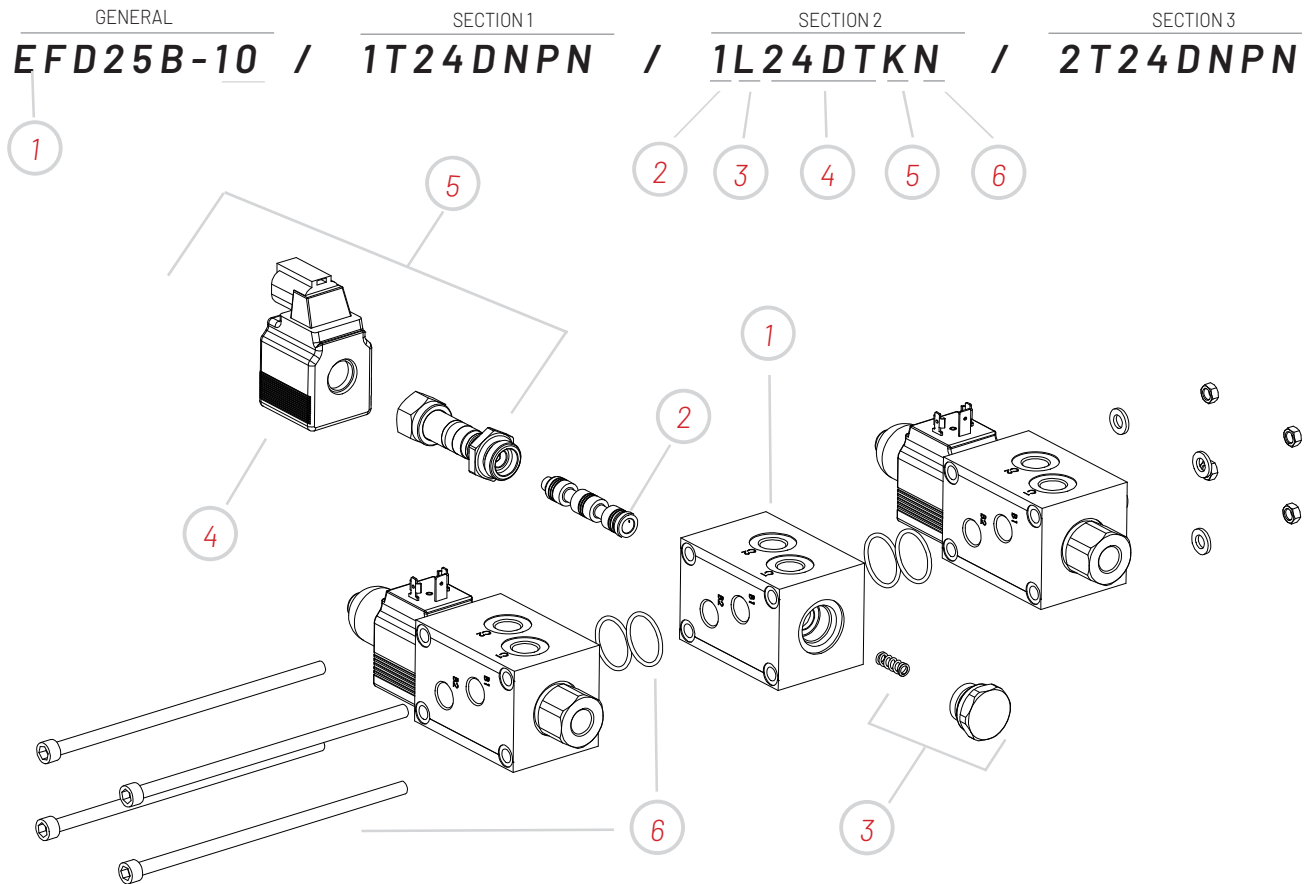
10 WAYS



OVERALL DIMENSIONS



ORDERING CODE EXAMPLE



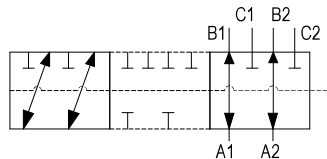
6 WAY ORDERING CODE EXAMPLE: EFD25B-6/ 1L24DTKN

8 WAY ORDERING CODE EXAMPLE: EFD25B-8/ 1L24DTKN / 1L24DTKN

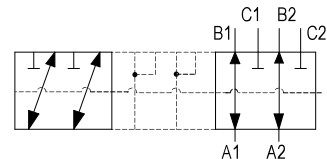
		OPTIONS	DESCRIPTION	SPARE PARTS CODE
1	WAYS NUMBER	6		-
		8	Total number of ports	-
		10		-
2	SPOOL TYPE	1	Closed Transition	3CUR03115700
		2	Y Transition	3CUR03115701
3	DRAIN	L	Plug with external drain GAS BSPP 1/4 (NBR)	9TAP1M183004
		T	Plug for internal drain (NBR)	9TAP1M183005
		L	Plug with external drain GAS BSPP 1/4 (VITON)	9TAP1M183006
		T	Plug for internal drain (VITON)	9TAP1M183007
4	COIL VOLTAGE AND CONNECTIONS	12DN	12VDC DIN46350	C012NDIN1400
		24DN	24VDC DIN46350	C024NDIN1400
		12DT	12VDC DEUTSCH DT4	C012NDT41400
		24DT	24VDC DEUTSCH DT4	C024NDT41400
5	TYPE OF EMERGENCY	P	Push Pin	9CAN14M18S00
		K	Covered Push Pin (For manual use)	9CAN14M18S01
6	TIE RODS KIT + FLANGE GASKETS	N	NBR	(8 WAY) 9FLA0981100N (10 WAY) 9FLA0981600N
		V	VITON	(8 WAY) 9FLA0981100V (10 WAY) 9FLA0981600V

CONFIGURATIONS AND SPARE PARTS

2 SPOOL TYPE

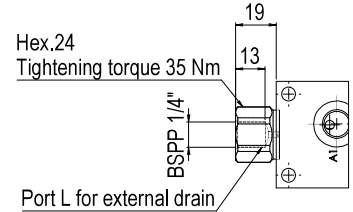


1 3CUR03115700

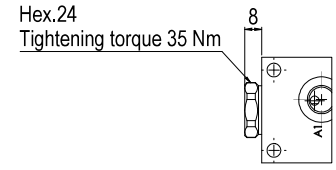


1 3CUR03115701

3 DRAIN



L 9TAP1M183004 - NBR
9TAP1M183006 - VITON



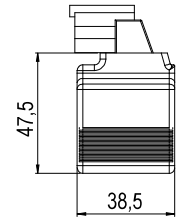
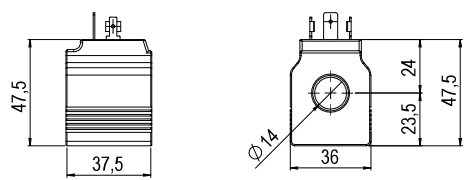
T 9TAP1M183005 - NBR
9TAP1M183007 - VITON

4 COIL

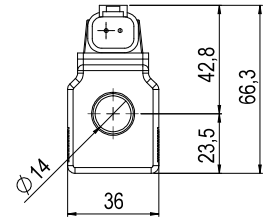
DIN

DEUTSCH DT4

DN



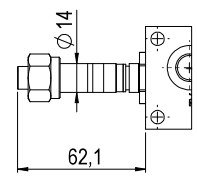
DT



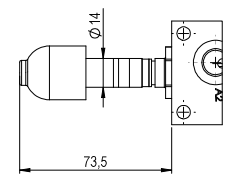
ORDER CODE	NOMINAL VOLTAGE	NOMINAL POWER	PROTECTION CLASS	INSULATION	RELATIVE INTERMITTANCE
C012NDIN1400	12 VDC	27 W	IP 65	CLASS H	ED 100%
C024NDIN1400	24 VDC				
C012NDT41400	12 VDC	IP 67 IP 69K with appropriate connector			
C024NDT41400	24 VDC				

5 TYPE OF EMERGENCY

TIGHTENING TORQUE : 25Nm



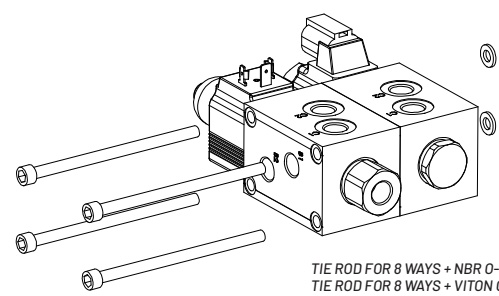
P PUSH PIN TYPE: 9CAN14M18S00



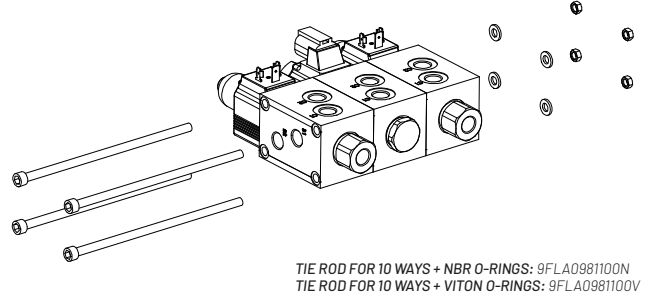
K PUSH FOR MANUAL OPERATION: 9CAN14M18S01

6 TIE RODS KIT + FLANGE GASKETS

NUTS AND WASHERS INCLUDED
TIGHTENING TORQUE : 10Nm



TIE ROD FOR 8 WAYS + NBR O-RINGS: 9FLA0981100N
TIE ROD FOR 8 WAYS + VITON O-RINGS: 9FLA0981100V



TIE ROD FOR 10 WAYS + NBR O-RINGS: 9FLA0981100N
TIE ROD FOR 10 WAYS + VITON O-RINGS: 9FLA0981100V