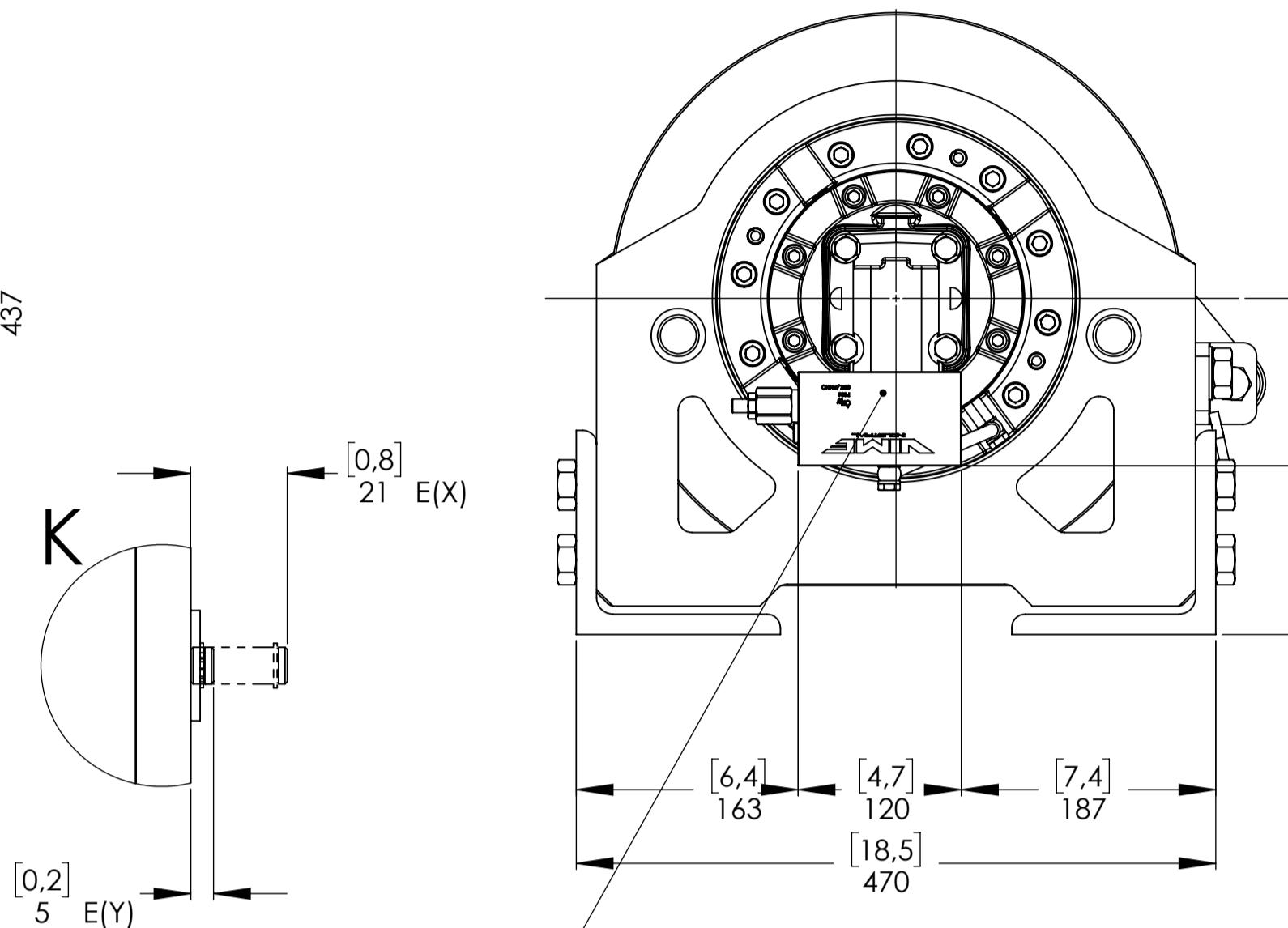
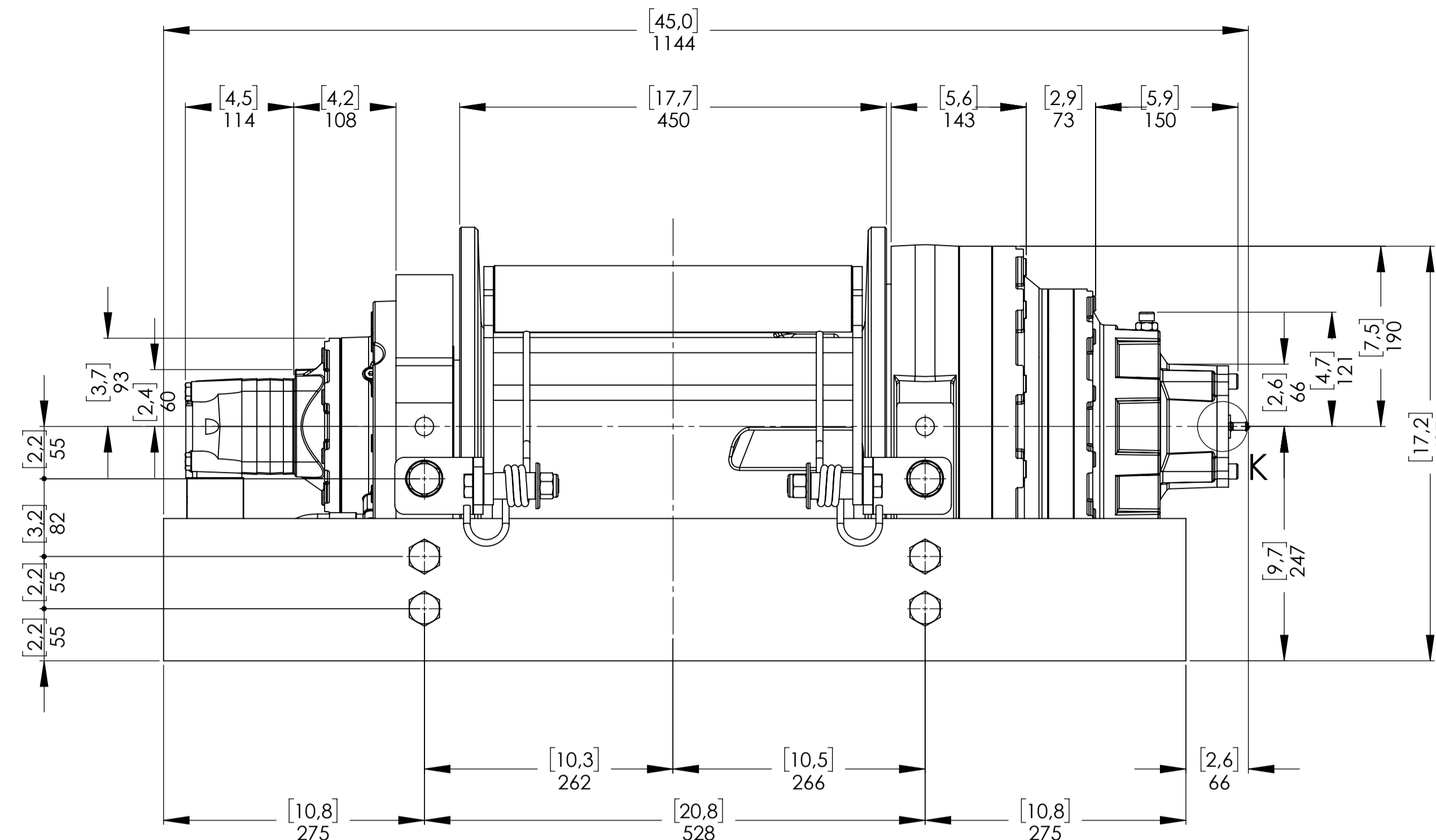
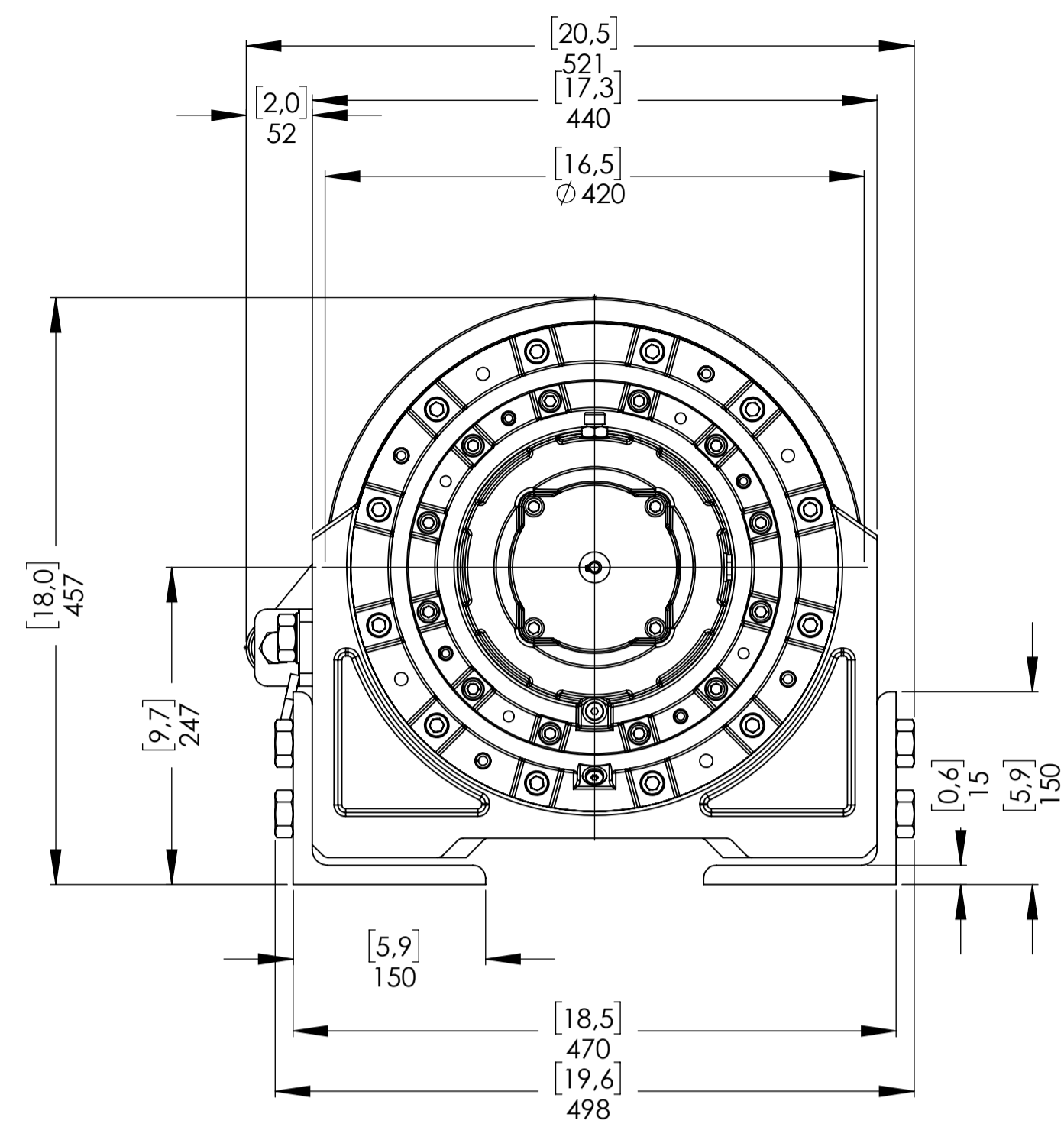
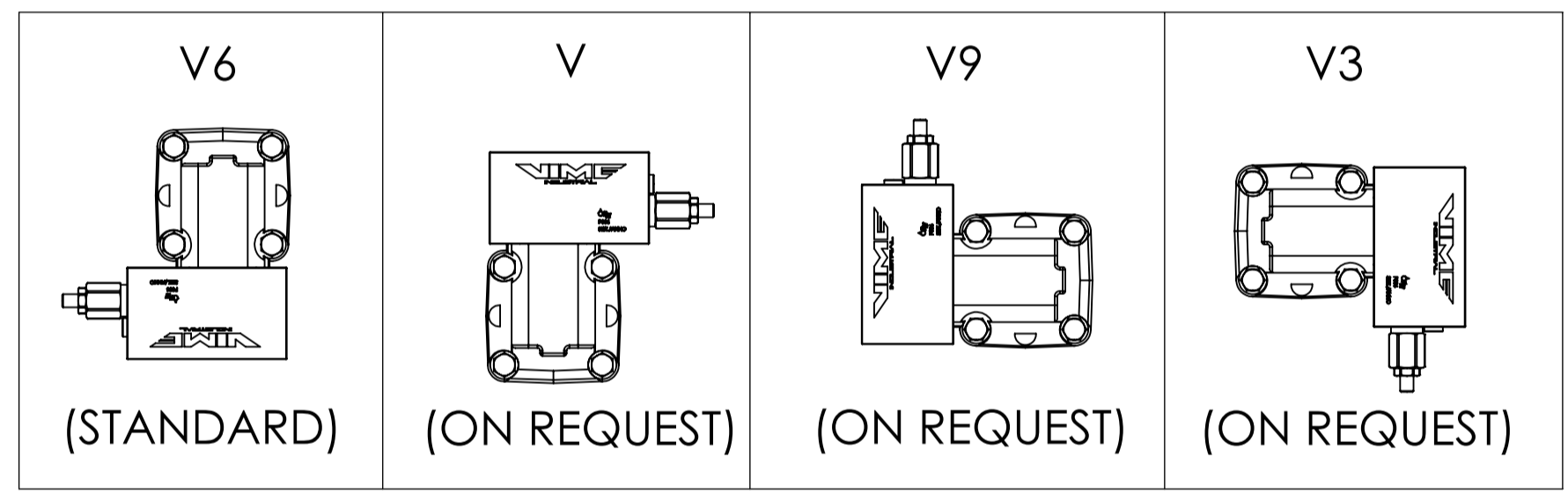


Machinery Directive 2006/42/CE
EN 14492-1



OVERCENTER VALVE POSITION*

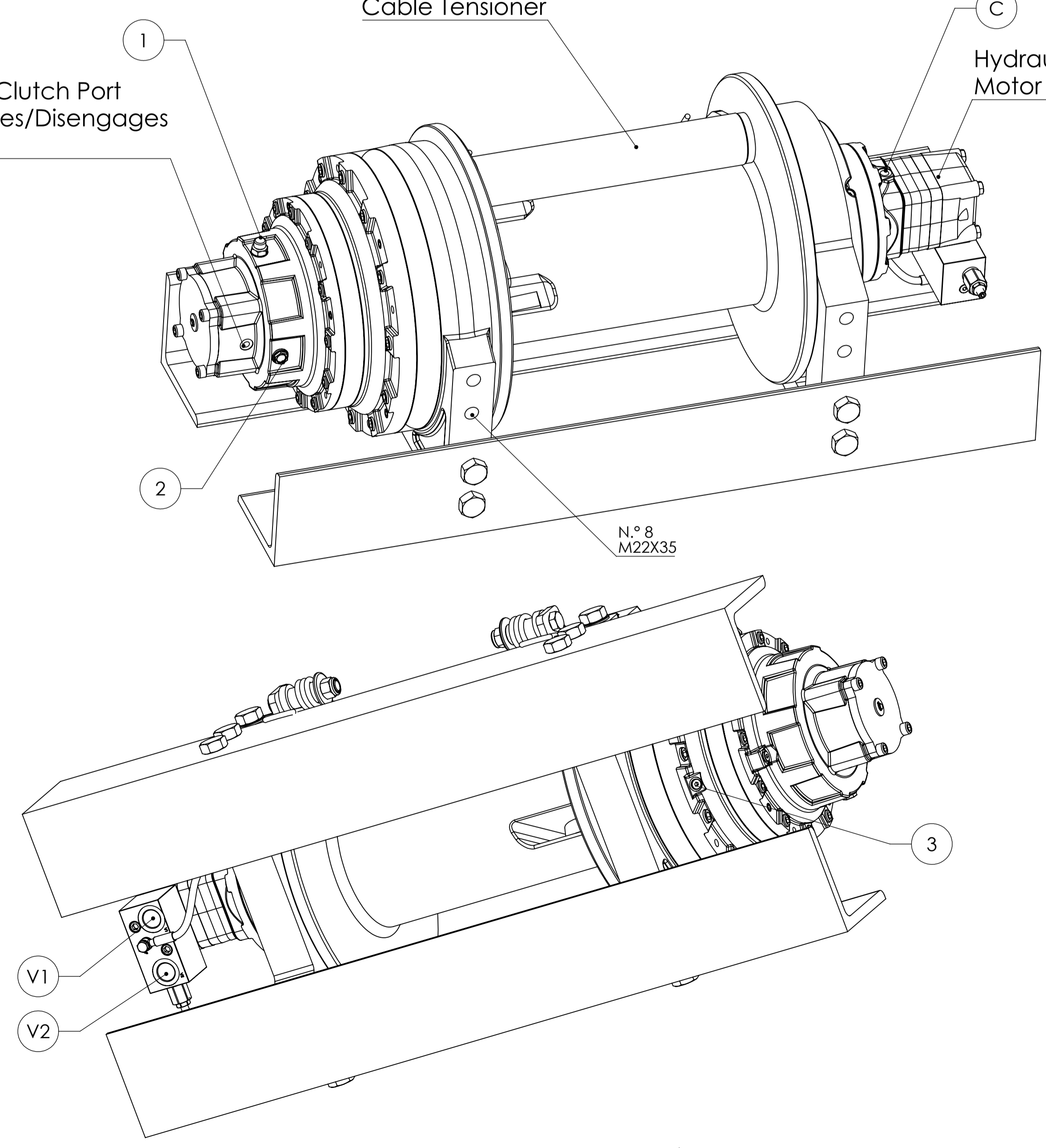
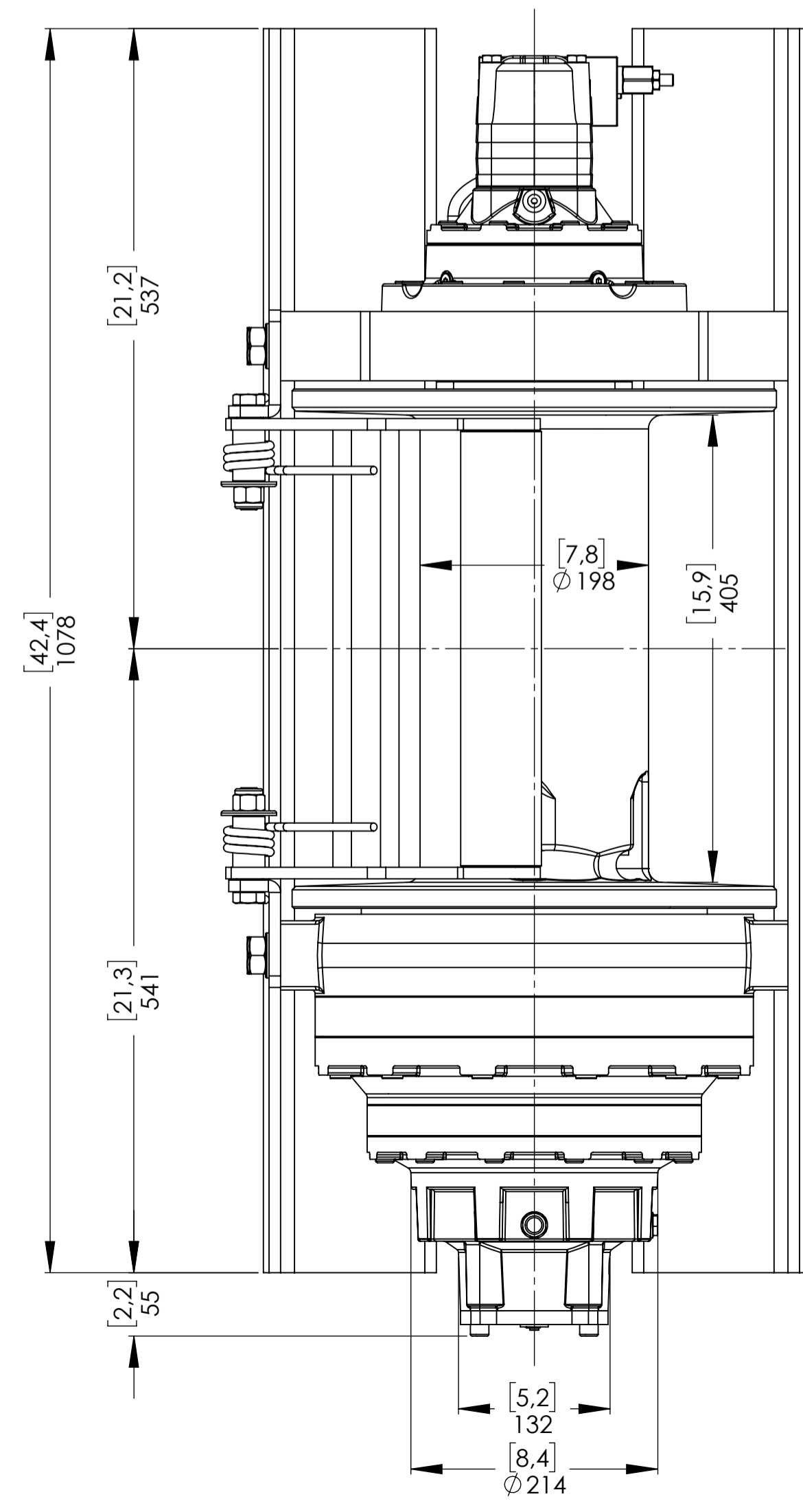


WINCH ORDERING CODE	AIR CLUTCH (STANDARD)	MANUAL CLUTCH (ON REQUEST)	HEAVY DUTY ROLLER FAIRLEAD (ON REQUEST)	CABLE TENSIONER (ON REQUEST)	OVER CENTER VALVE POSITION* (STANDARD V6)
EPHLFN250U12EAV6	X				X
EPHLFN250U12EAPV6	X			X	X
EPHLFN250U12EAGV6	X		X		X
EPHLFN250U12EAGPV6	X		X	X	X
EPHLFN250U12EV6		X			X
EPHLFN250U12EPV6		X		X	X
EPHLFN250U12EGV6		X	X		X
EPHLFN250U12EGPV6		X	X	X	X

E - Air Clutch Port Engages/Disengages Drum

Cable Tensioner

Hydraulic Motor



*AT THE MOMENT OF ORDER IS POSSIBLE REQUEST THE OVERCENTER VALVE PORTS ORIENTED ACCORDING TO THE LAYOUT ABOVE. IF NOT SPECIFIED, THE WINCH WILL BE SUPPLIED WITH THE OVERCENTER VALVE PORTS ORIENTED AS PER OUR STANDARD CONFIGURATION V6.

CONNECTIONS

V1 OUT LET	G 3/4
V2 IN LET	G 3/4
C CASE DRAIN	G 1/4
E (X) DISENGAGED	G 1/8
E (Y) ENGAGED	RETURN SPRING

WINCH MODEL	EPHL 250 FN	WINCH GROUP	PLANETARY GEAR	PLUGS
Pulling capacity	25000 Kg	Date	Modification	1.Fill G 3/8
Max.Oil flow	75 Lt./Min.			2.Level G 3/8
Speed Line - first layer	4,1 Mt./Min.			3.Drain G 1/4
Speed Line - top layer	6,5 Mt./Min.	DANGEROUS: Do not use winch to lift support or transport personnel.		SCALE 1:4.5
				WEIGHTS
				Winch (without oil) 410 Kg
				Heavy-duty Roller fairlead -----
				Cable tensioner 10 Kg
				COD. EPHLFN250U12EAPV6

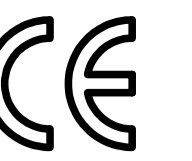


Funo - Bologna (Italy)
www.vimeindustrial.com

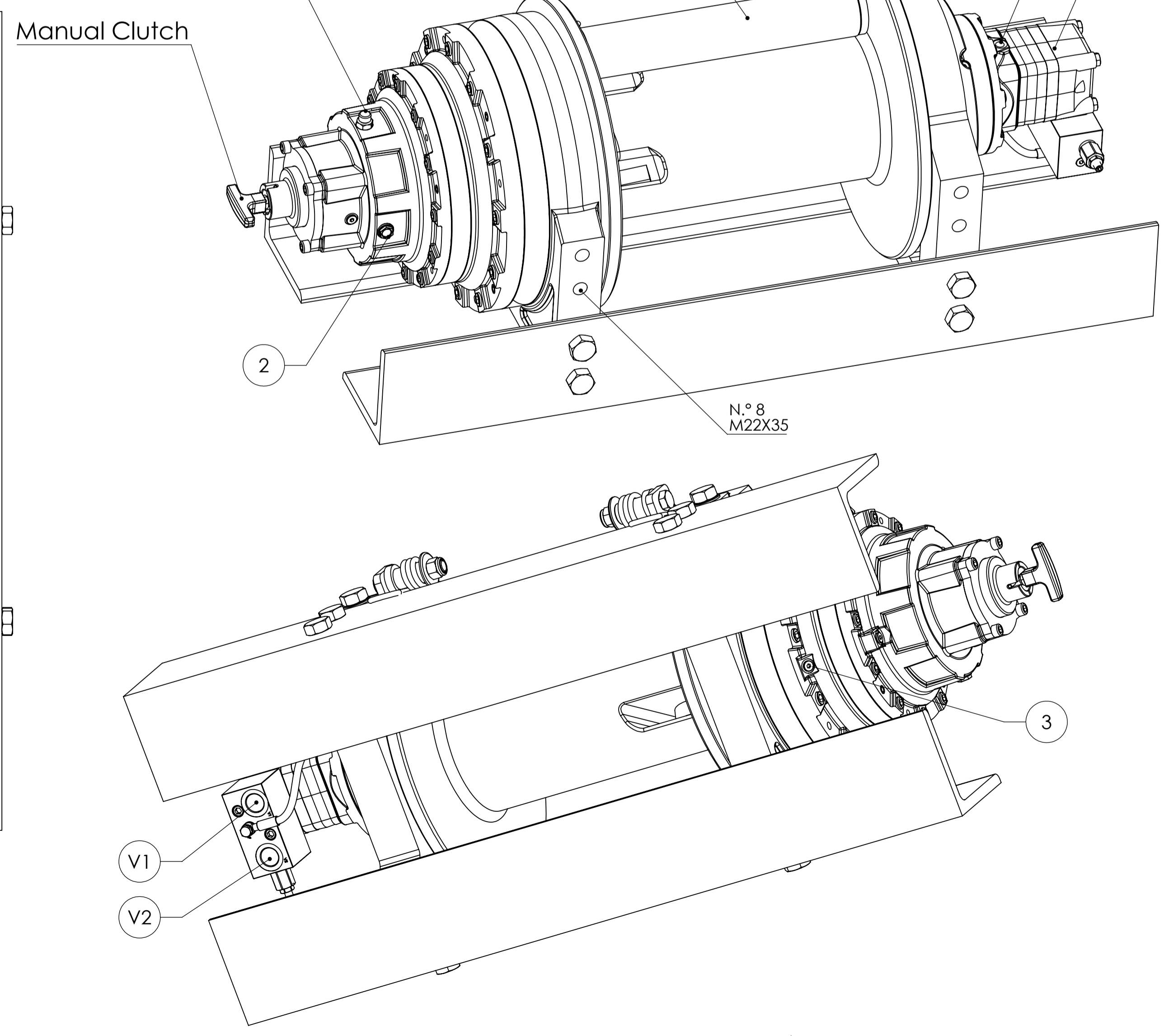
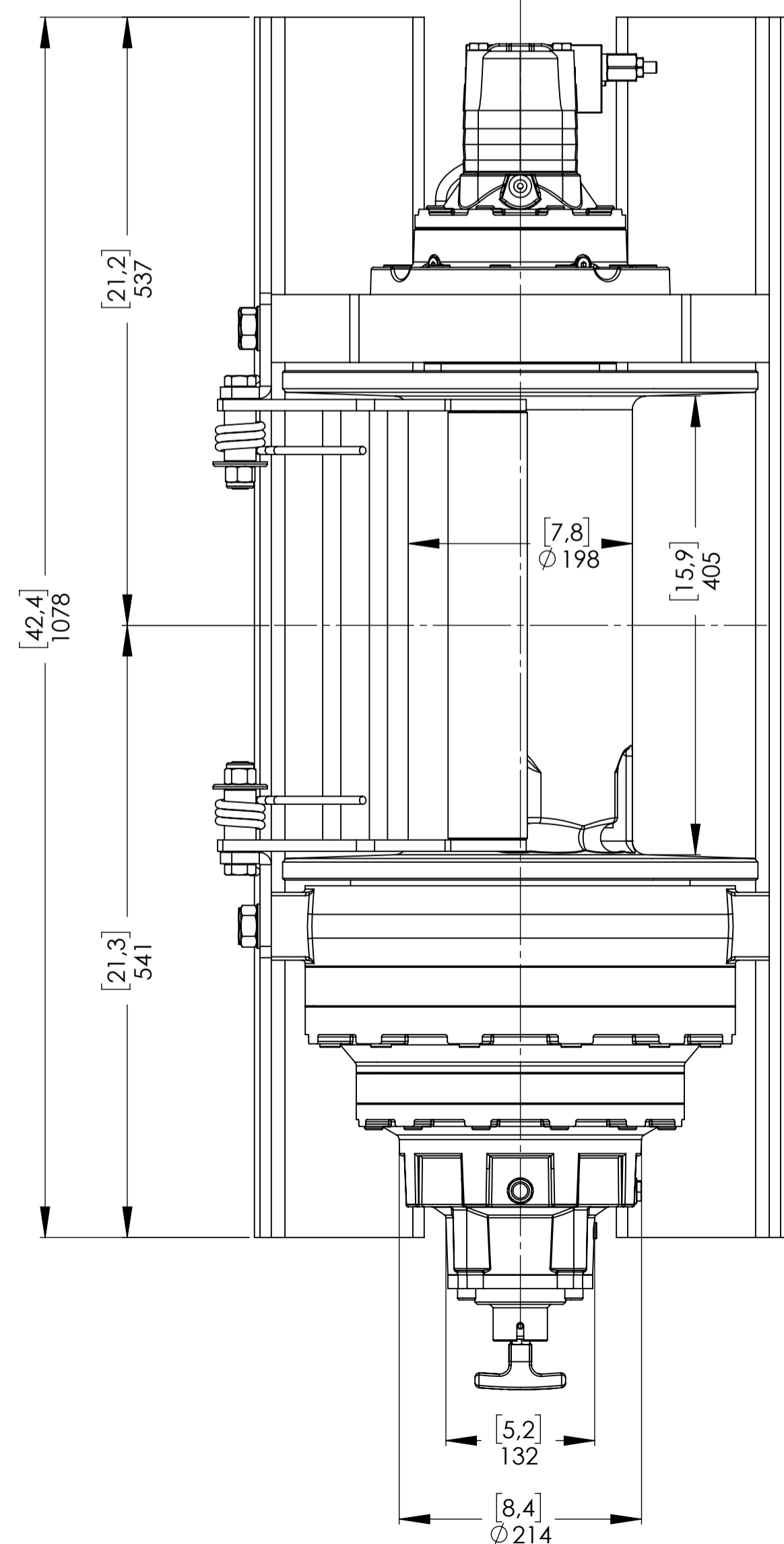
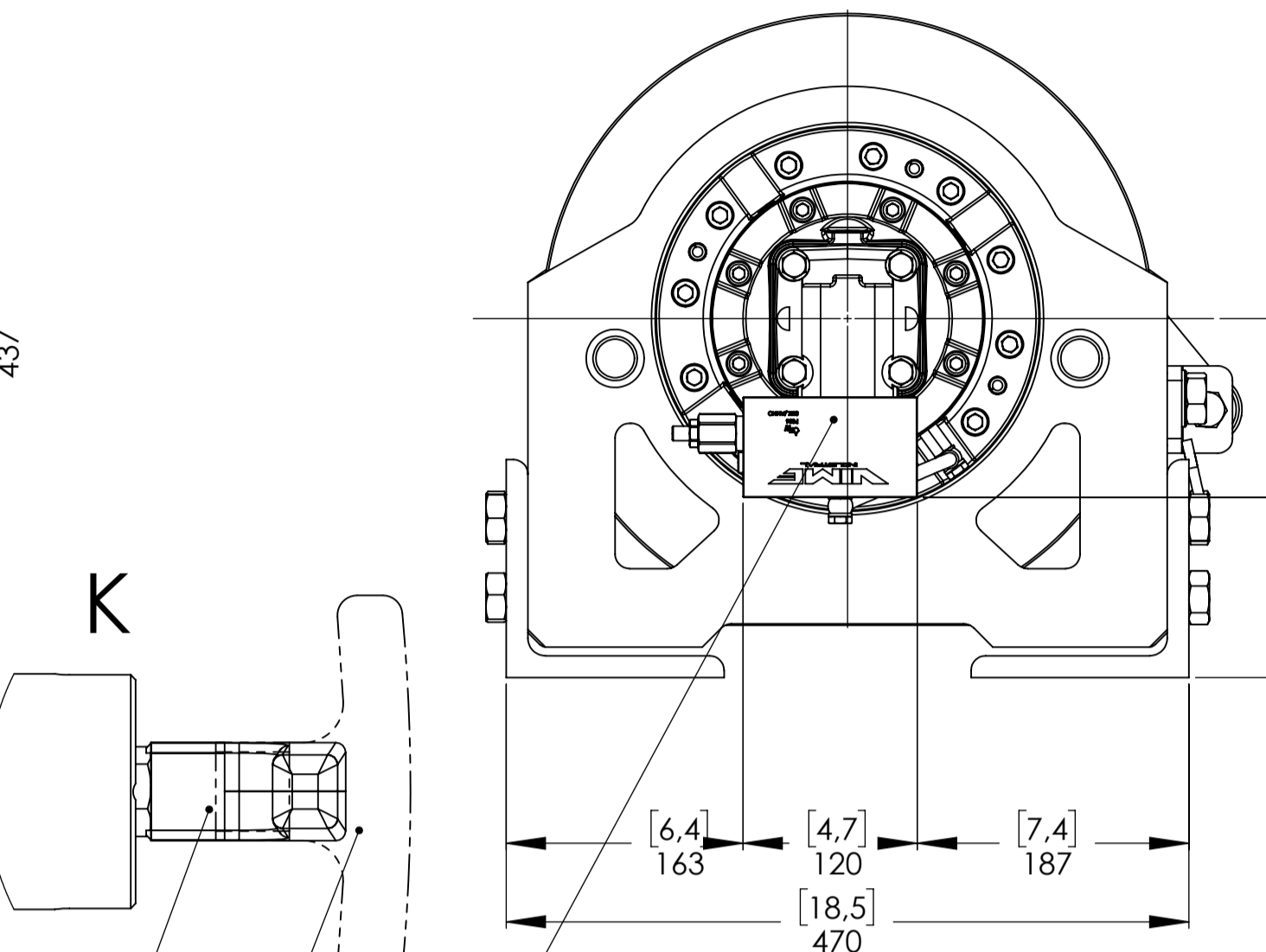
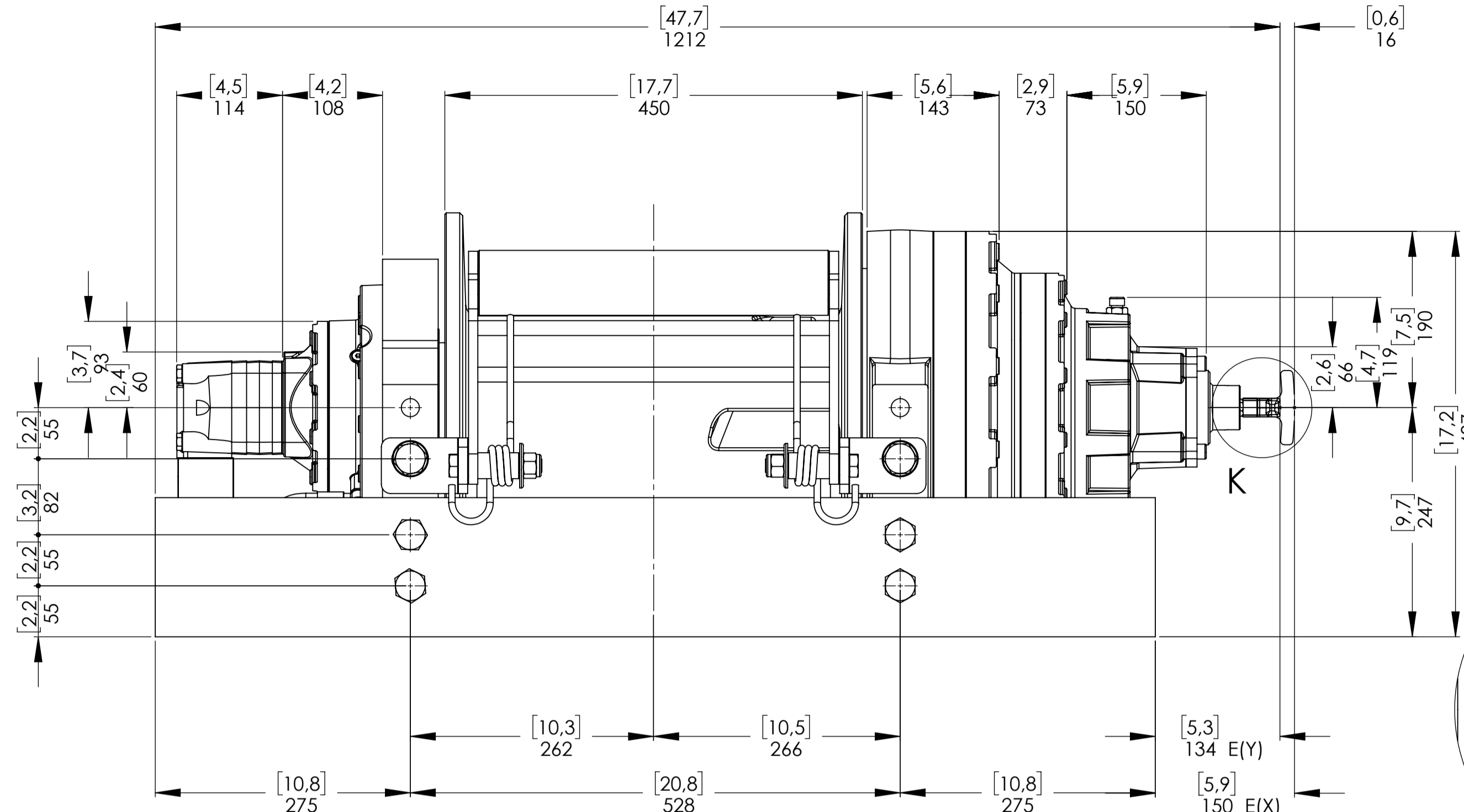
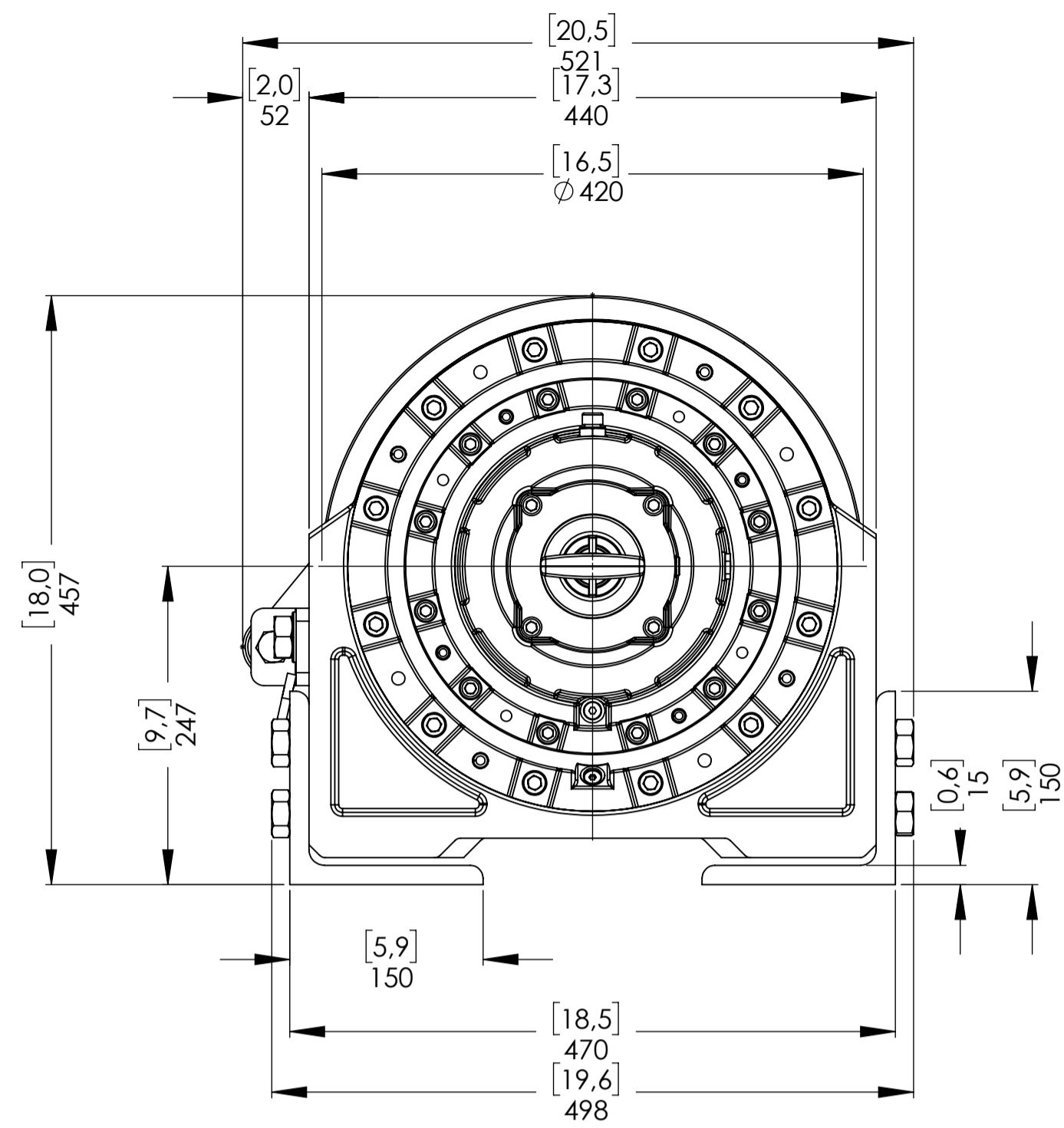
The Quality is Transparent

VIME Industrial reserves the right to improve its products through changes in designed or materials as if may seem desirable without notice

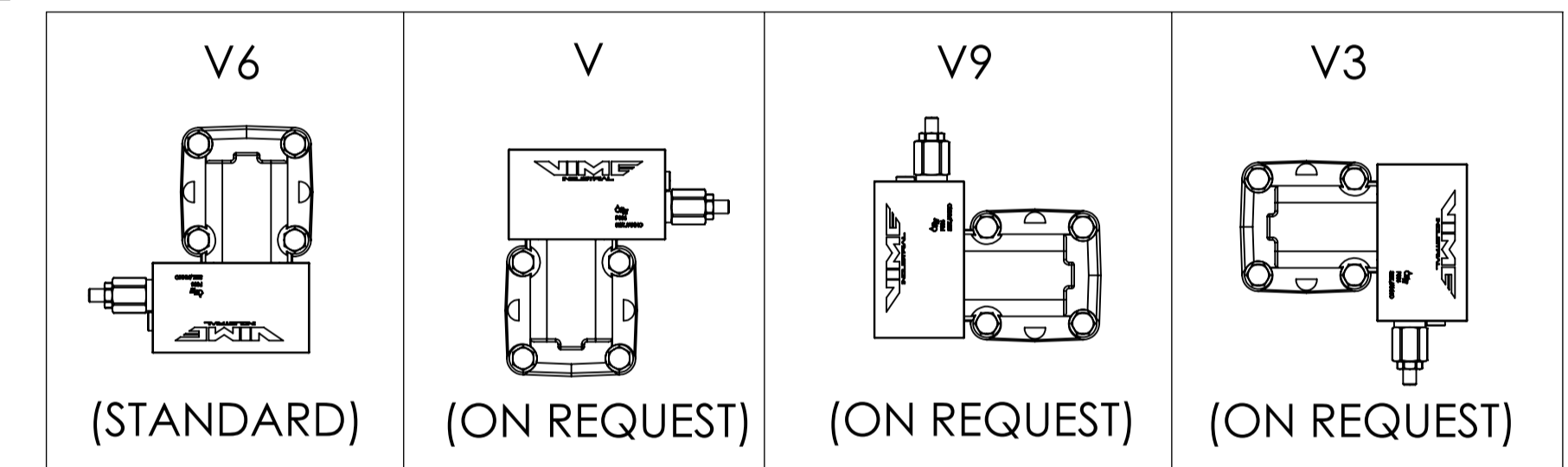
DATA 21/03/2018



Machinery Directive 2006/42/CE
EN 14492-1



OVERCENTER VALVE POSITION*

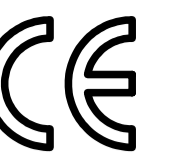


WINCH ORDERING CODE	AIR CLUTCH (STANDARD)	MANUAL CLUTCH (ON REQUEST)	HEAVY DUTY ROLLER FAIRLEAD (ON REQUEST)	CABLE TENSIONER (ON REQUEST)	OVER CENTER VALVE POSITION* (STANDARD V6)
EPHLFN250U12EAV6	X				X
EPHLFN250U12EAPV6	X			X	X
EPHLFN250U12EAGV6	X		X		X
EPHLFN250U12EAGPV6	X		X	X	X
EPHLFN250U12EV6		X			X
EPHLFN250U12EPV6		X		X	X
EPHLFN250U12EGV6		X	X		X
EPHLFN250U12EGPV6		X	X	X	X

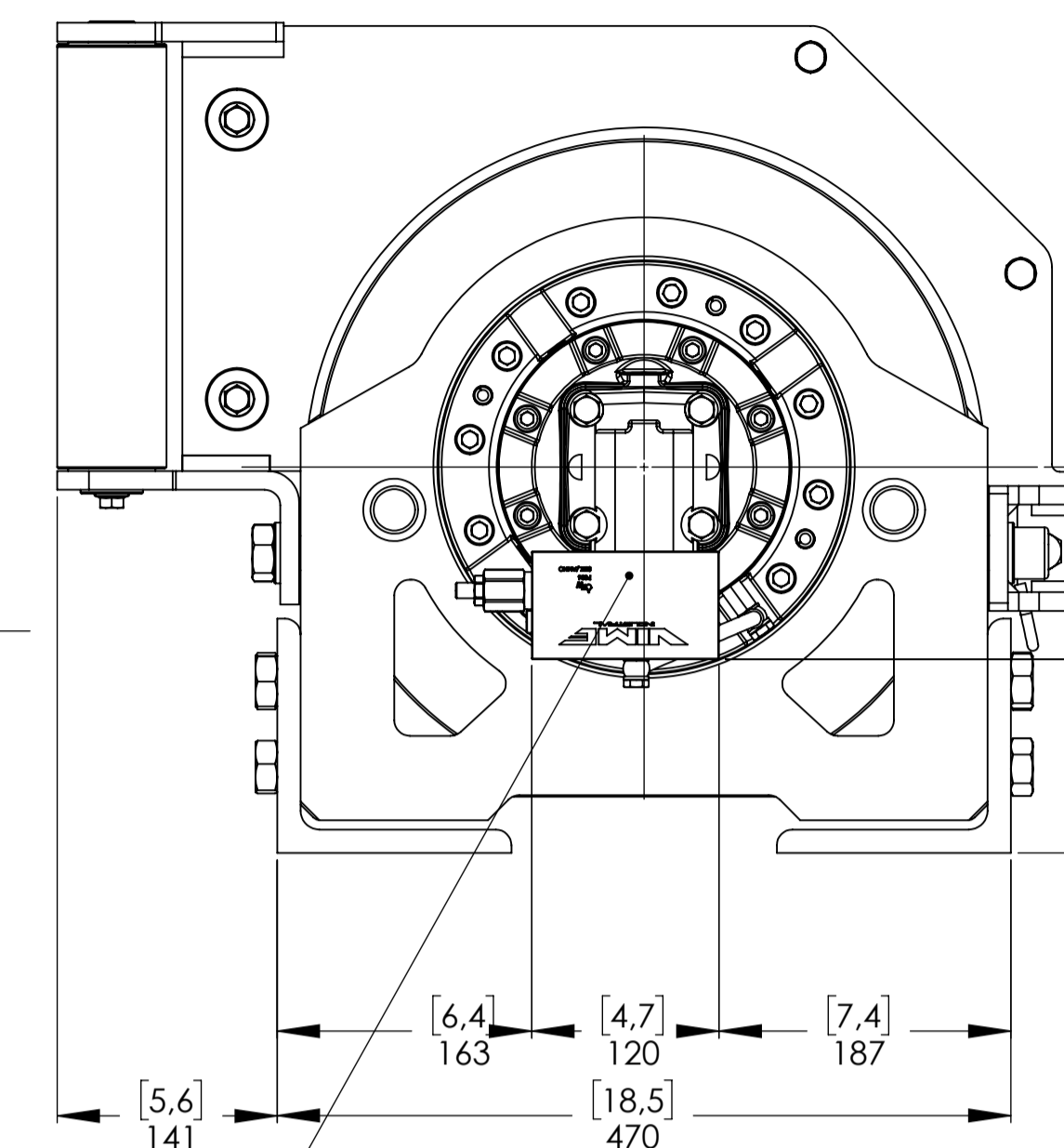
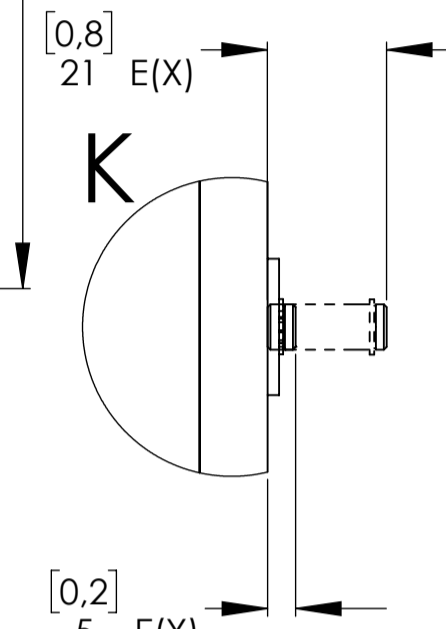
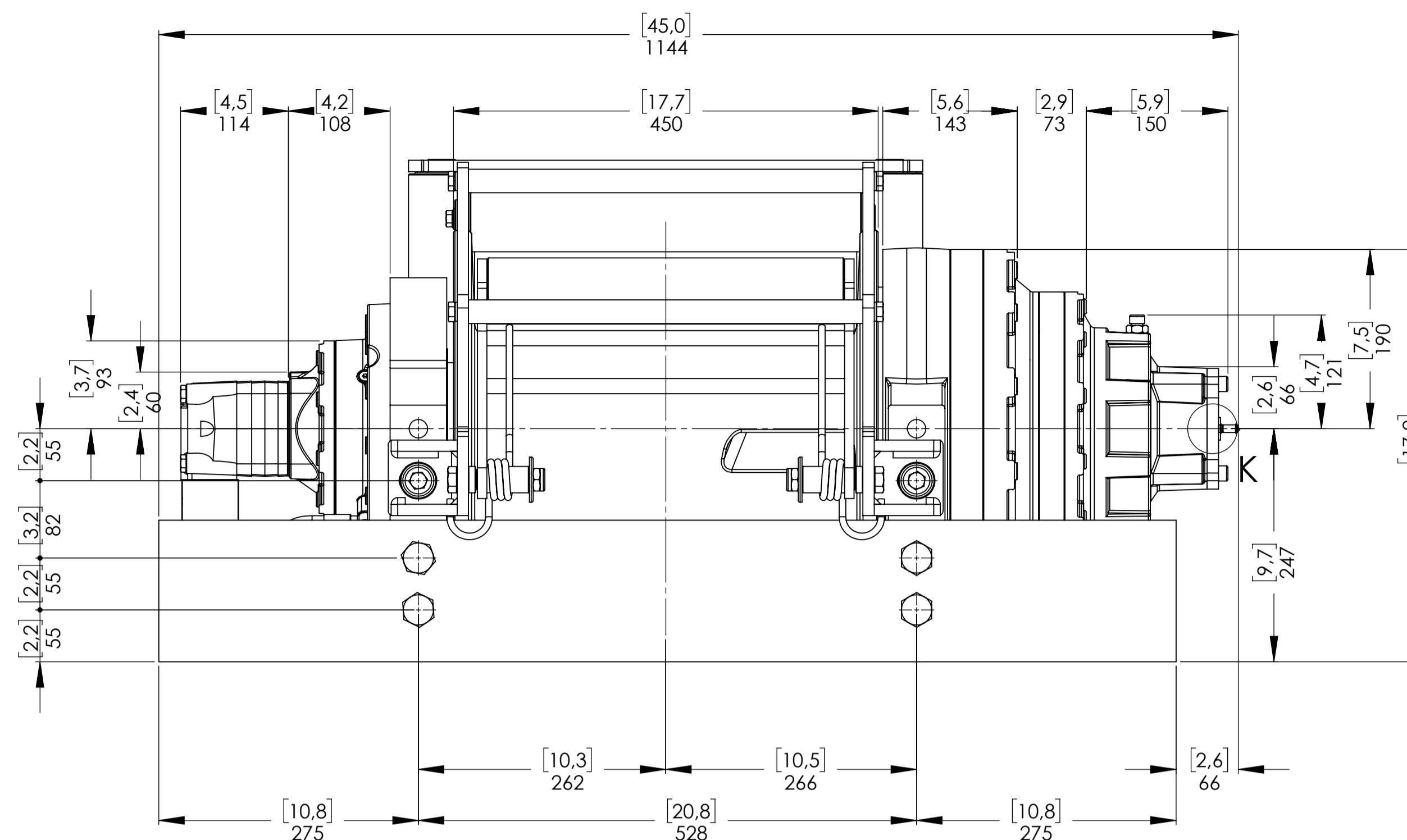
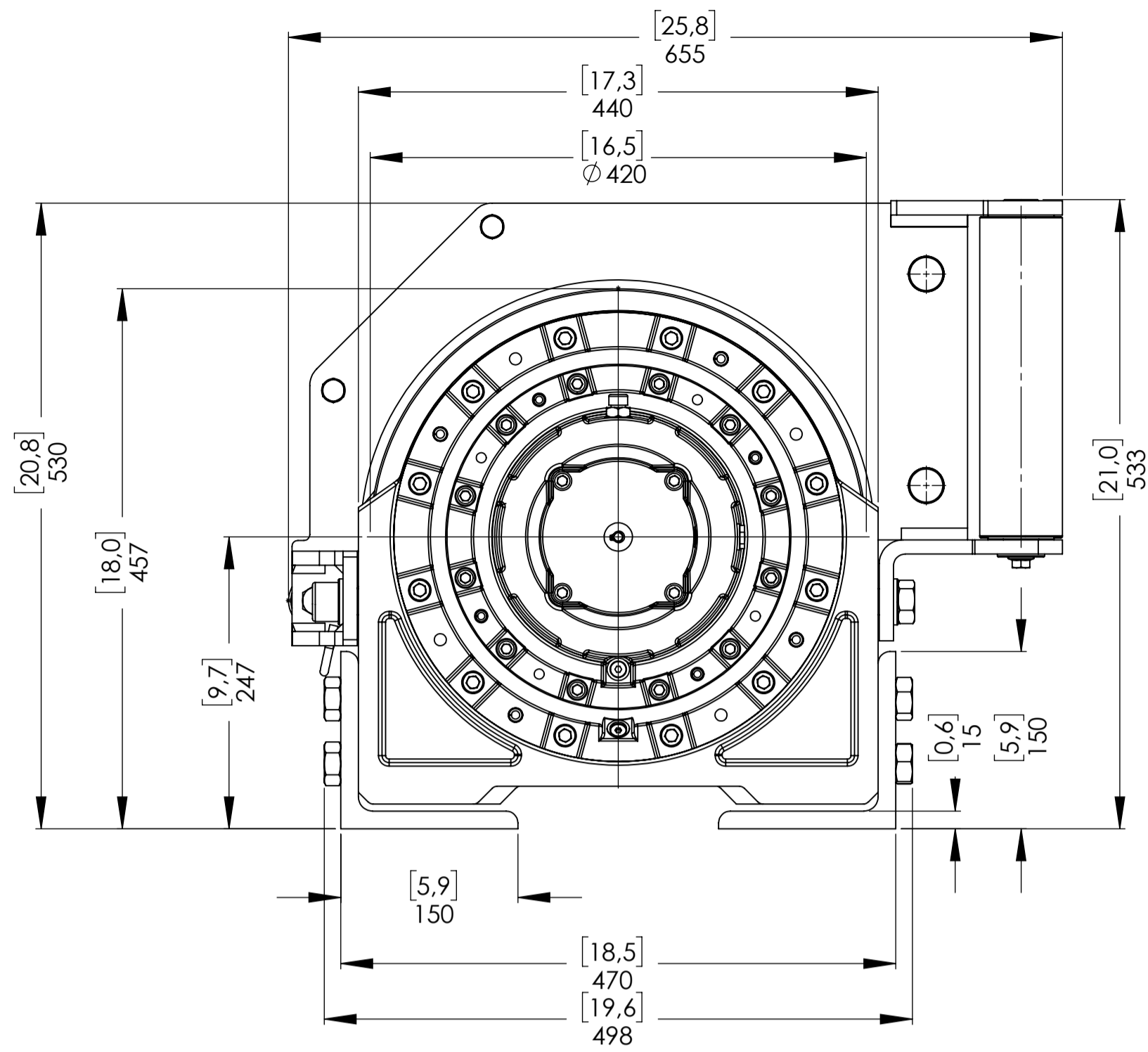
*AT THE MOMENT OF ORDER IS POSSIBLE REQUEST THE OVERCENTER VALVE PORTS ORIENTED ACCORDING TO THE LAYOUT ABOVE. IF NOT SPECIFIED, THE WINCH WILL BE SUPPLIED WITH THE OVERCENTER VALVE PORTS ORIENTED AS PER OUR STANDARD CONFIGURATION V6.

CONNECTIONS	
V1 OUT LET	G 3/4
V2 IN LET	G 3/4
C CASE DRAIN	G 1/4
E (X) DISENGAGED	-----
E (Y) ENGAGED	-----

WINCH MODEL	EPHL 250 FN	WINCH GROUP	PLANETARY GEAR	PLUGS
Pulling capacity	25000 Kg	Date	Modification	1.Fill G 3/8
Max.Oil flow	75 Lt./Min.			2.Level G 3/8
Speed Line - first layer	4,1 Mt./Min.			3.Drain G 1/4
Speed Line - top layer	6,5 Mt./Min.	DANGEROUS: Do not use winch to lift support or transport personnel.		SCALE 1:4.5
		Gear ratio	1/97,23	WEIGHTS
		Orbital hydr. motor	125 cc	Winch (without oil) 410 Kg
		Working pressure	210 bar	Heavy-duty
		Drum size	405 mm	Roller fairlead -----
		Drum clutch	Manual	Cable tensioner 10 Kg
 Funo - Bologna (Italy) www.vimeindustrial.com The Quality is Transparent		VIME Industrial reserves the right to improve its products through changes in designed or materials as if may seem desirable without notice.		DATA 21/03/2018 COD. EPHLFN250U12EPV6

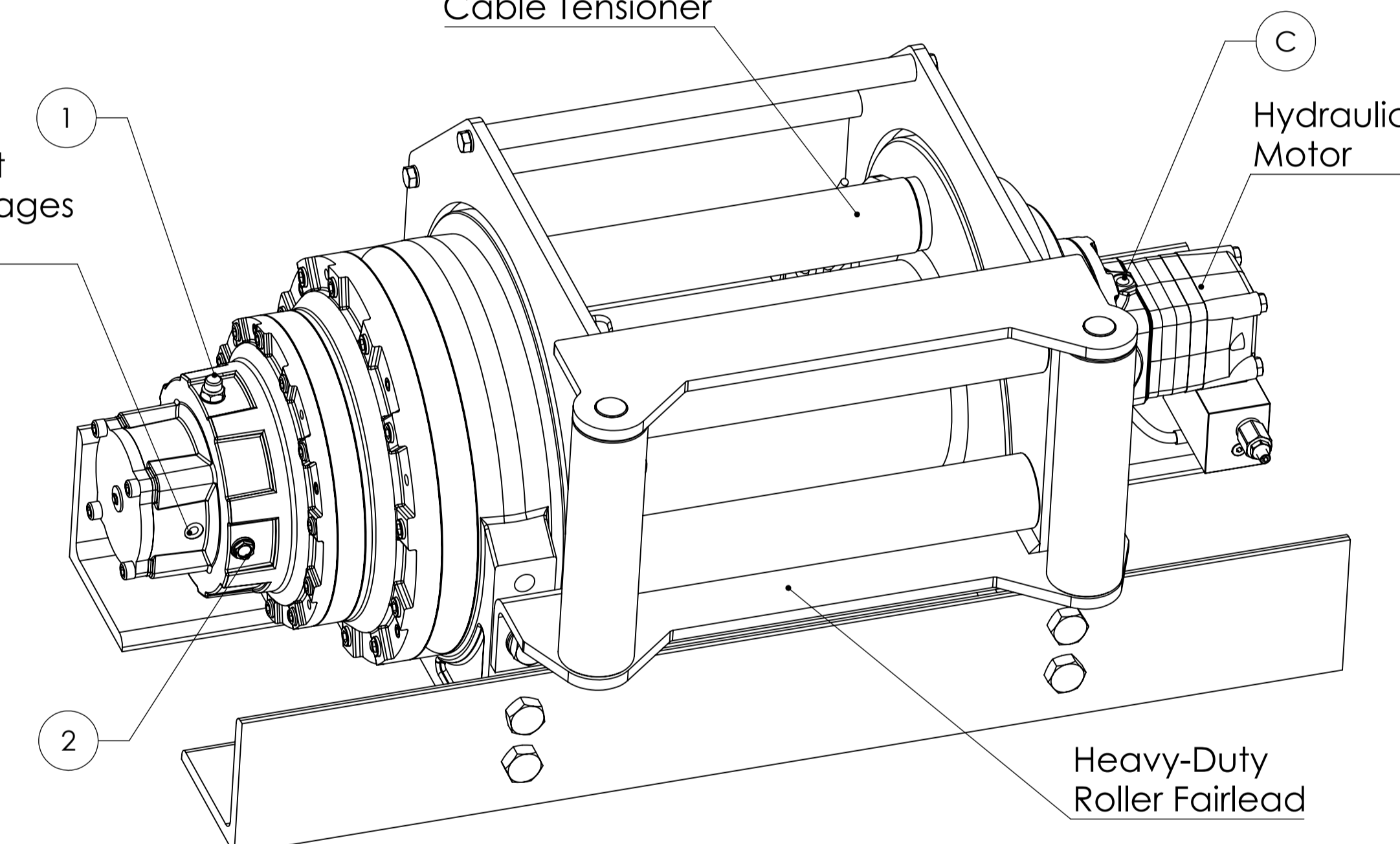


Machinery Directive 2006/42/CE
EN 14492-1

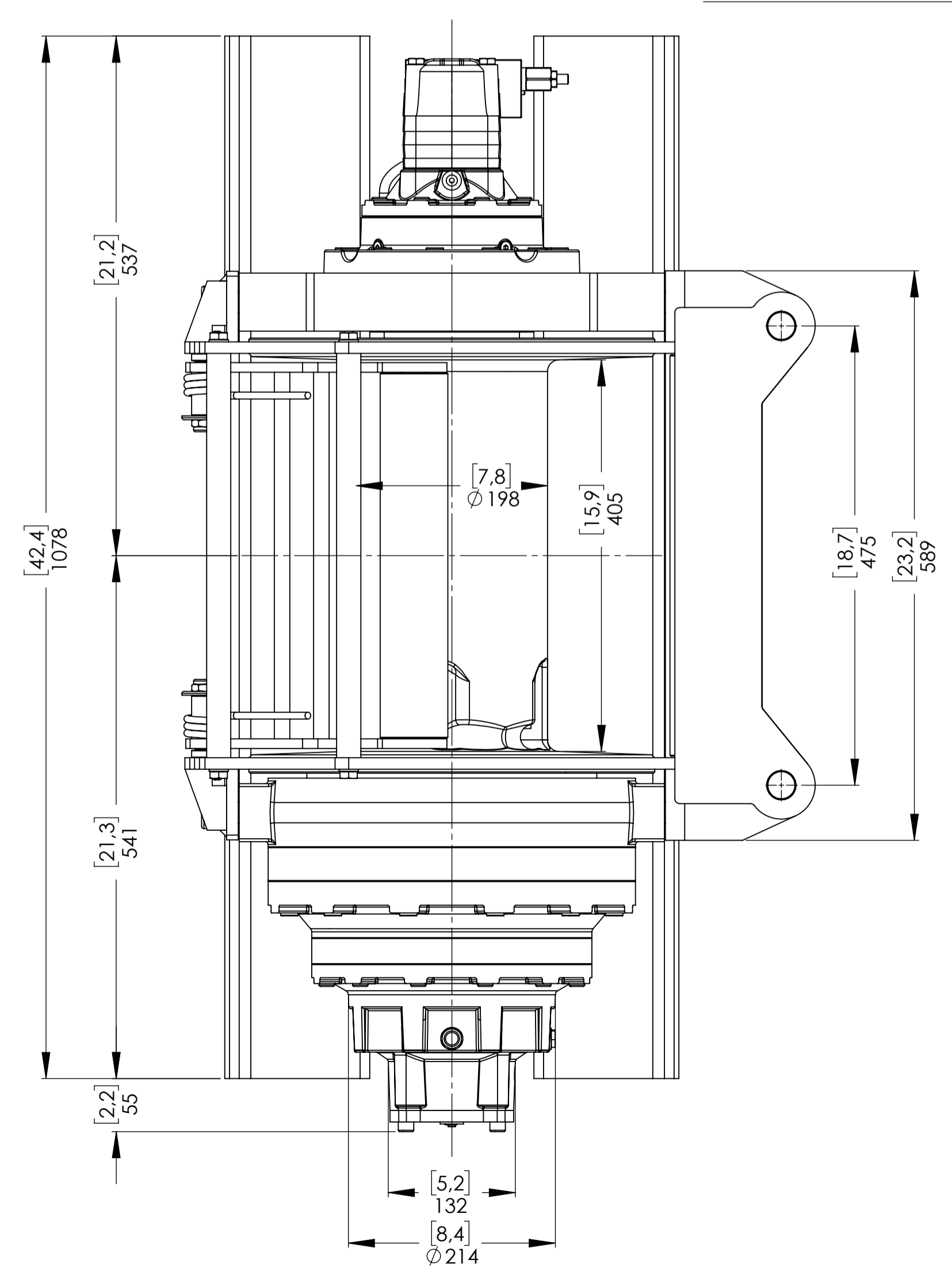
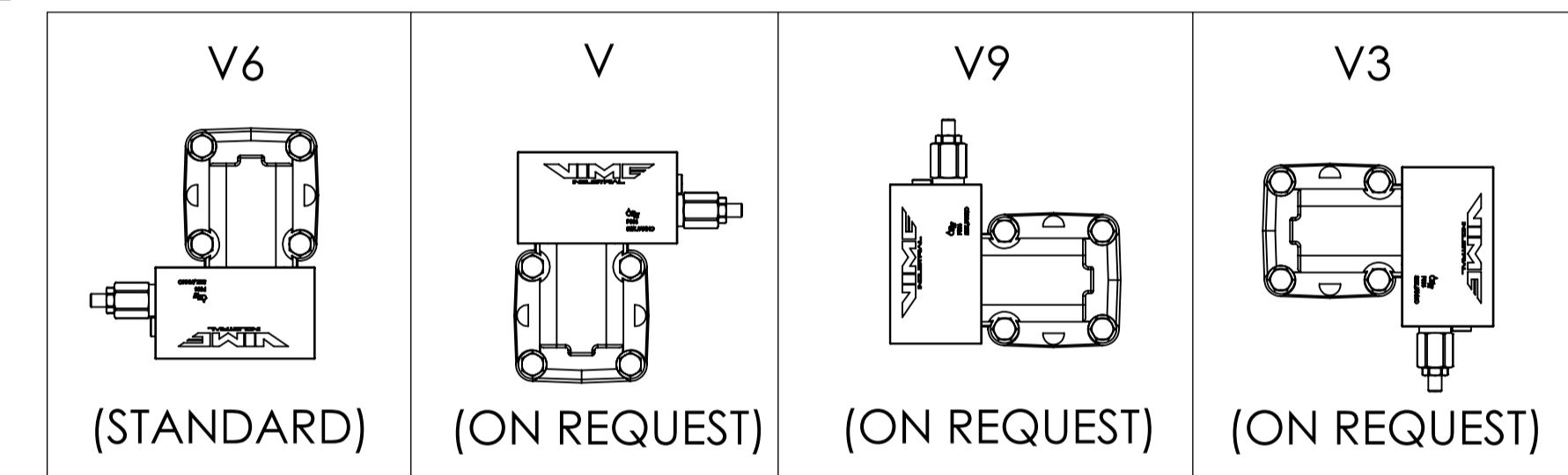


Cable Tensioner

E - Air Clutch Port Engages/Disengages Drum



OVERCENTER VALVE POSITION*

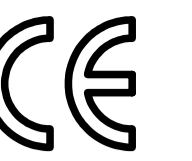


WINCH ORDERING CODE	AIR CLUTCH (STANDARD)	MANUAL CLUTCH (ON REQUEST)	HEAVY DUTY ROLLER FAIRLEAD (ON REQUEST)	CABLE TENSIONER (ON REQUEST)	OVER CENTER VALVE POSITION* (STANDARD V6)
EPHLFN250U12EAV6	X				X
EPHLFN250U12EAPV6	X			X	X
EPHLFN250U12EAGV6	X		X		X
EPHLFN250U12EAGPV6	X		X	X	X
EPHLFN250U12EV6		X			X
EPHLFN250U12EPV6		X		X	X
EPHLFN250U12EGV6		X	X		X
EPHLFN250U12EGPV6		X	X	X	X

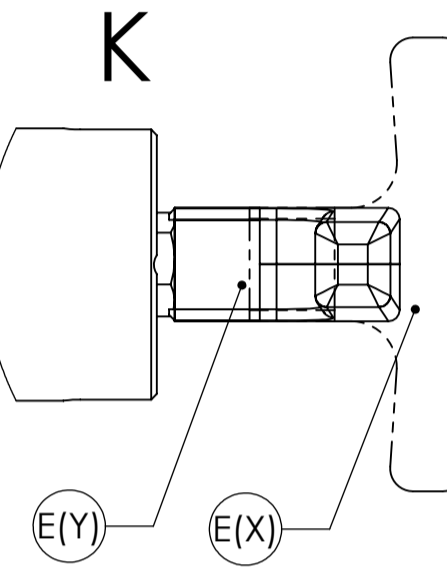
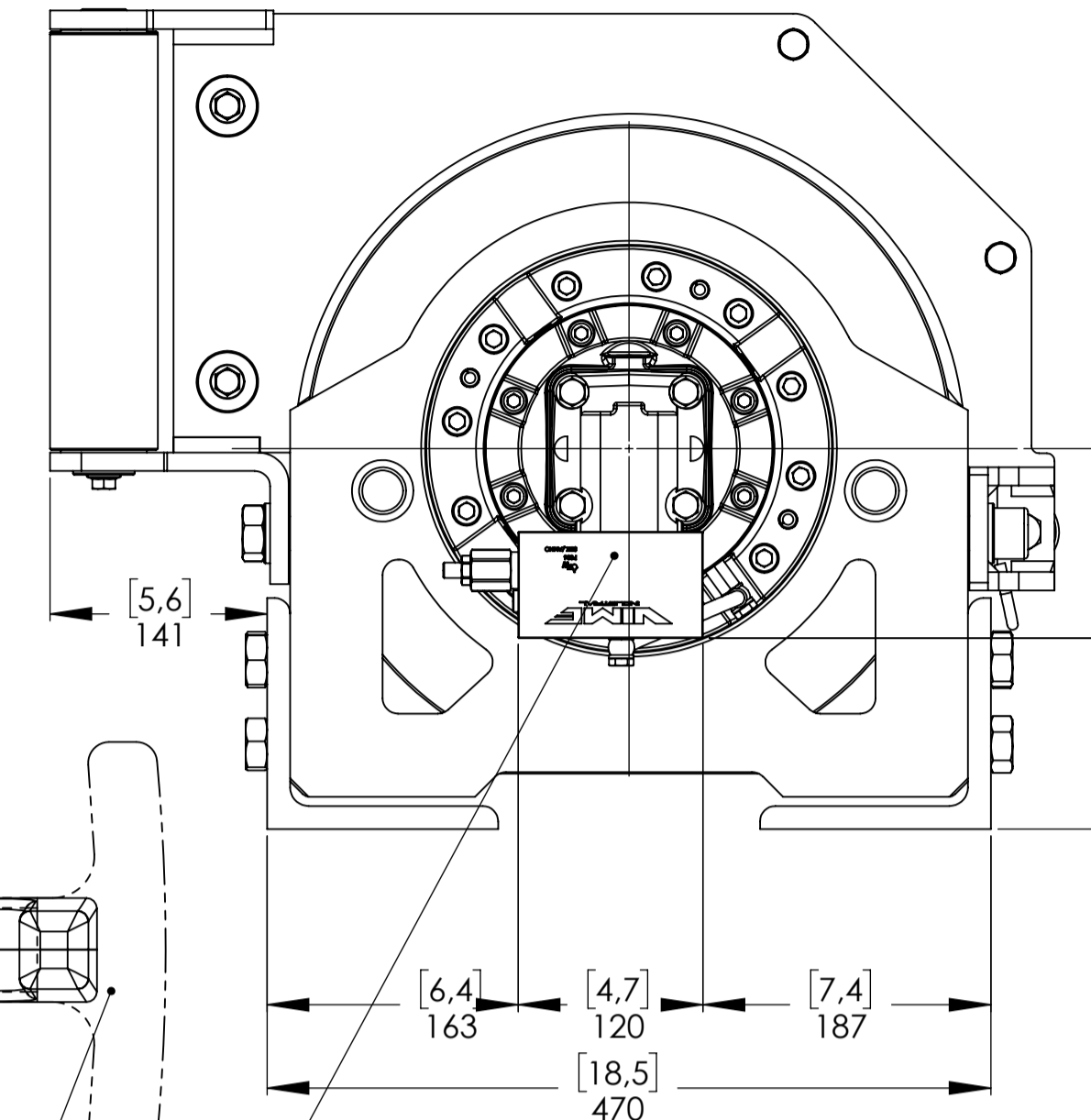
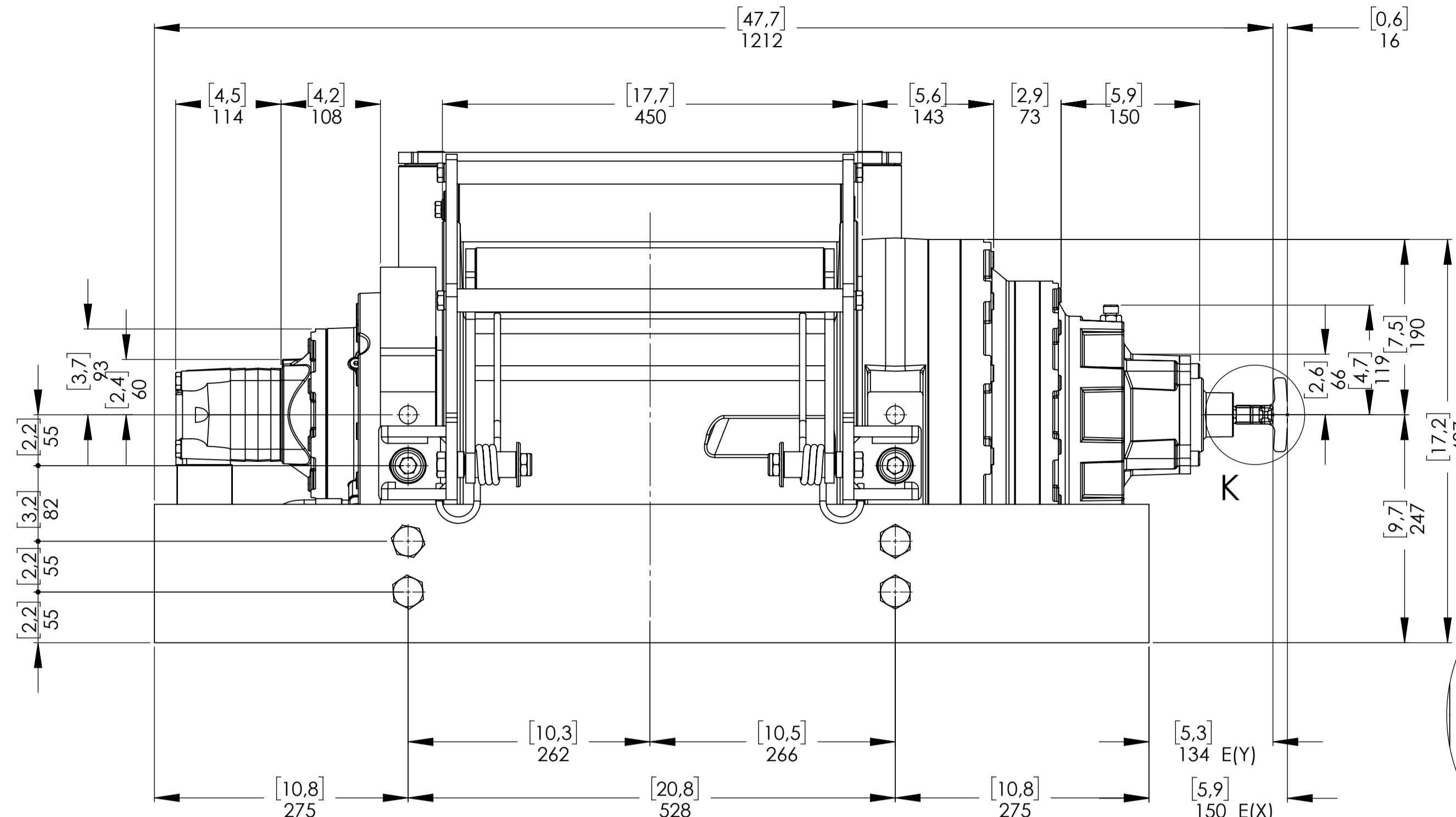
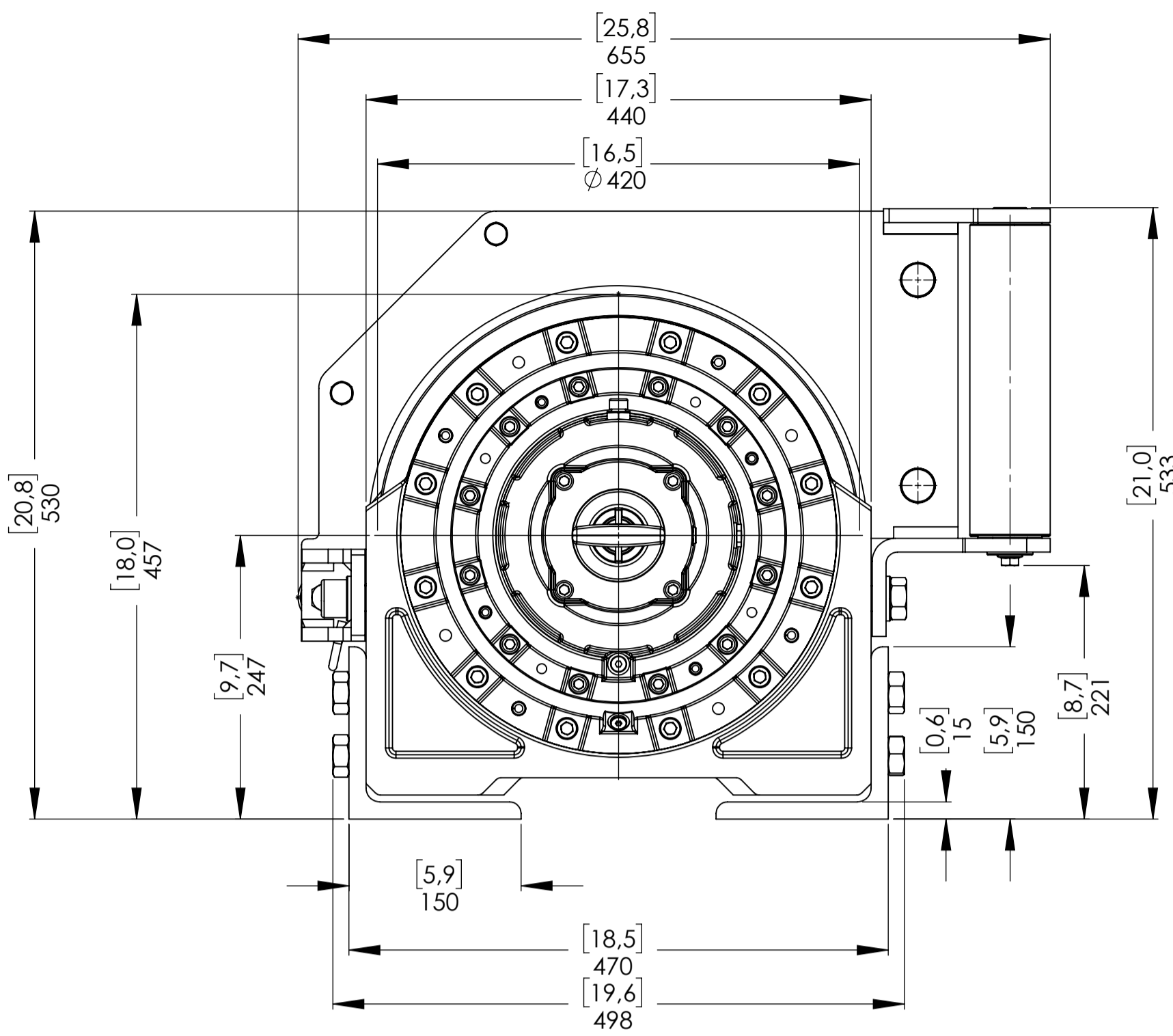
*AT THE MOMENT OF ORDER IS POSSIBLE REQUEST THE OVERCENTER VALVE PORTS ORIENTED ACCORDING TO THE LAYOUT ABOVE. IF NOT SPECIFIED, THE WINCH WILL BE SUPPLIED WITH THE OVERCENTER VALVE PORTS ORIENTED AS PER OUR STANDARD CONFIGURATION V6.

CONNECTIONS	
V1 OUT LET	G 3/4
V2 IN LET	G 3/4
C CASE DRAIN	G 1/4
E (X) DISENGAGED	G 1/8
E (Y) ENGAGED	RETURN SPRING

WINCH MODEL	EPHL 250 FN	WINCH GROUP	PLANETARY GEAR	PLUGS
Pulling capacity	25000 Kg	Date	Modification	1.Fill G 3/8
Max.Oil flow	75 Lt./Min.			2.Level G 3/8
Speed Line - first layer	4,1 Mt./Min.			3.Drain G 1/4
Speed Line - top layer	6,5 Mt./Min.	DANGEROUS: Do not use winch to lift support or transport personnel.		SCALE 1:4.5
 Funo - Bologna (Italy) www.vimeindustrial.com The Quality is Transparent		Gear ratio	1/97,23	WEIGHTS
		Orbital hydr. motor	125 cc	Winch (without oil) 410 Kg
		Working pressure	210 bar	Heavy-duty Roller fairlead 60 Kg
		Drum size	405 mm	Cable tensioner 10 Kg
		Drum clutch	Air-operated	
		VIME Industrial : reserves the right to improve its products through changes in designed or materials as if may seem desirable without notice		COD. EPHLFN250U12EAGPV6
		DATA 21/03/2018		

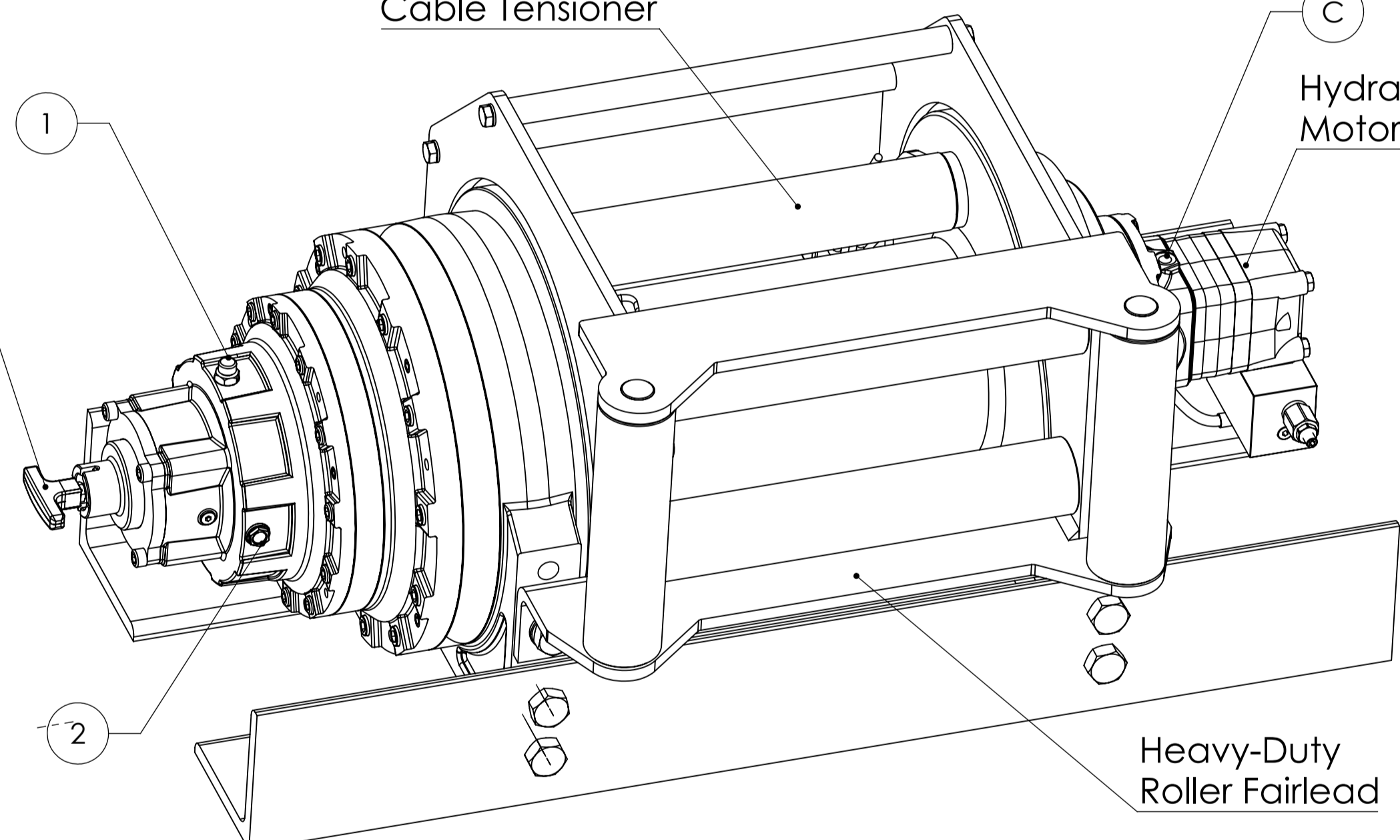


Machinery Directive 2006/42/CE
EN 14492-1



Cable Tensioner

Hydraulic Motor

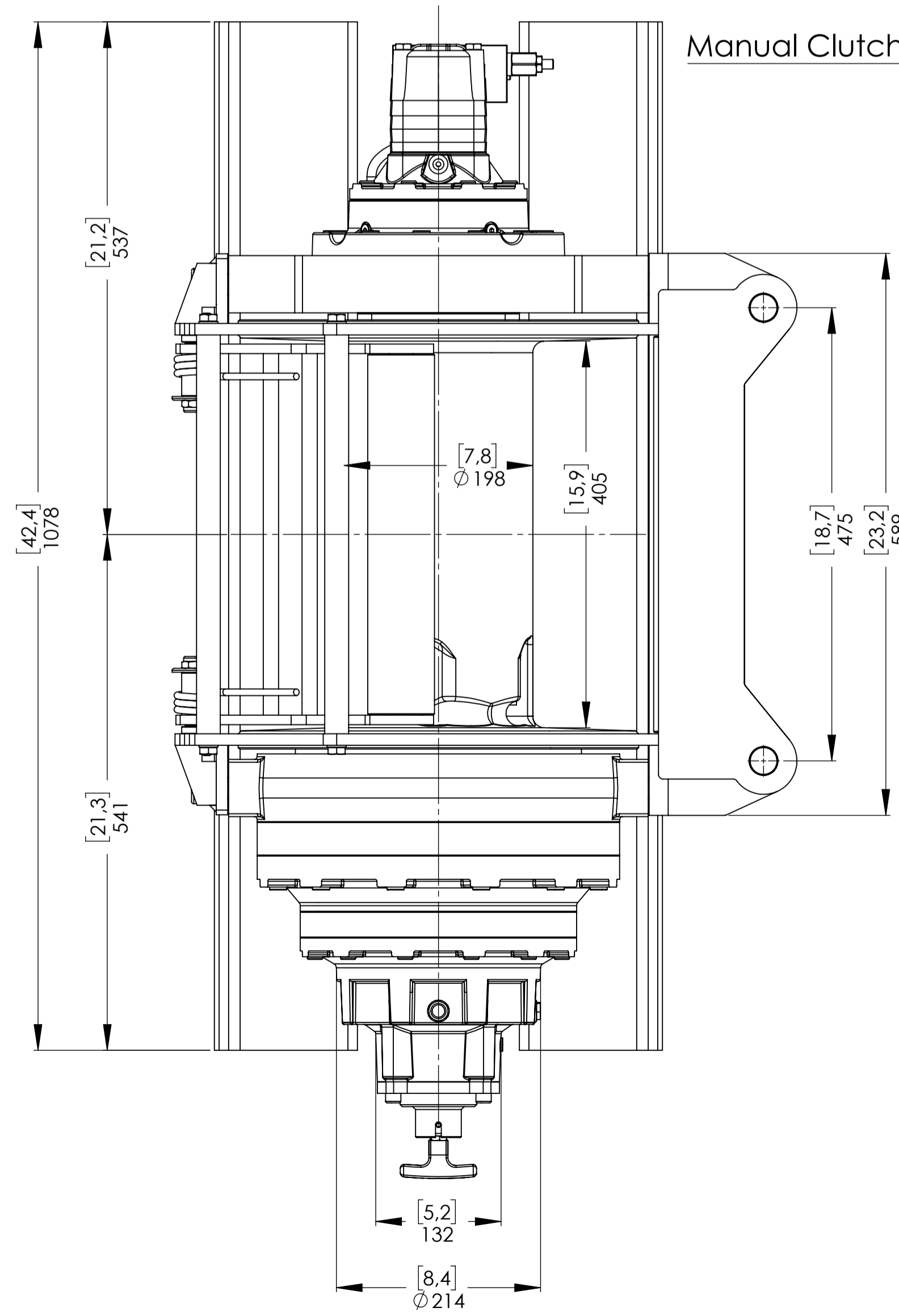


Manual Clutch

Heavy-Duty Roller Fairlead

OVERCENTER VALVE POSITION*

V6	V	V9	V3
(STANDARD)	(ON REQUEST)	(ON REQUEST)	(ON REQUEST)



WINCH ORDERING CODE	AIR CLUTCH (STANDARD)	MANUAL CLUTCH (ON REQUEST)	HEAVY DUTY ROLLER FAIRLEAD (ON REQUEST)	CABLE TENSIONER (ON REQUEST)	OVER CENTER VALVE POSITION* (STANDARD V6)
EPHLFN250U12EAV6	X				X
EPHLFN250U12EAPV6	X			X	X
EPHLFN250U12EAGV6	X		X		X
EPHLFN250U12EAGPV6	X		X	X	X
EPHLFN250U12EV6		X			X
EPHLFN250U12EPV6		X		X	X
EPHLFN250U12EGV6		X	X		X
EPHLFN250U12EGPV6		X	X	X	X

*AT THE MOMENT OF ORDER IS POSSIBLE REQUEST THE OVERCENTER VALVE PORTS ORIENTED ACCORDING TO THE LAYOUT ABOVE. IF NOT SPECIFIED, THE WINCH WILL BE SUPPLIED WITH THE OVERCENTER VALVE PORTS ORIENTED AS PER OUR STANDARD CONFIGURATION V6.

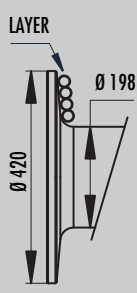
CONNECTIONS	
V1 OUT LET	G 3/4
V2 IN LET	G 3/4
C CASE DRAIN	G 1/4
E (X) DISENGAGED	-----
E (Y) ENGAGED	-----

WINCH MODEL	EPHL 250 FN	WINCH GROUP	PLANETARY GEAR	PLUGS
Pulling capacity	25000 Kg	Date	Modification	1.Fill G 3/8
Max.Oil flow	75 Lt./Min.			2.Level G 3/8
Speed Line - first layer	4,1 Mt./Min.			3.Drain G 1/4
Speed Line - top layer	6,5 Mt./Min.	DANGEROUS: Do not use winch to lift support or transport personnel.		SCALE 1:4.5
		Gear ratio	1/97,23	WEIGHTS
		Orbital hydr. motor	125 cc	Winch (without oil) 410 Kg
		Working pressure	210 bar	Heavy-duty Roller fairlead 60 Kg
		Drum size	405 mm	Cable tensioner 10 Kg
		Drum clutch	Manual	
 Funo - Bologna (Italy) www.vimeindustrial.com The Quality is Transparent		VIME Industrial reserves the right to improve its products through changes in designed or materials as if may seem desiderable without notice.		DATA 21/03/2018 COD. EPHLFN250U12EGPV6

1.4.13 EPHL 250 FN CE TECHNICAL DATA

FEATURES EPHL 250 FN CE (125 cc.)	
LINE PULL FIRST LAYER	25.000 KGF
LINE SPEED FIRST LAYER	4,1 MT/MIN.
MAX. WORKING PRESSURE	210 BAR
MAX. OIL SUPPLY	75 LT/MIN
MIN. OIL SUPPLY	20 LT/MIN
WIRE ROPE SIZE (EN 14492-1)	*22 MM
WIRE ROPE MINIMUM BREAKING ROPE (EN 14492-1)	50.000 KG
MAX. WIRE ROPE CAPACITY (EN 14492-1)	**60 MT

LINE SPEED [MT/MIN]							
ROPE 22 MM	OIL SUPPLY [LT/MIN]	DRUM REVOLUTION [RPM]	LINE SPEED PER LAYER [MT/MIN]				
			1	2	3	4	5
			40	3	2,1	2,5	2,9
60	4,6	3,2	3,8	4,5	5,1	5,8	
75	5,9	4,1	4,9	5,7	6,5	7,3	

WIRE ROPE QUANTITY ON LAYER (DRUM LENGTH EPHL FN= 405 MM)							
	LAYER	DRUM DIAMETER [MM]		WIRE ROPE ON LAYER [MT]		WIRE ROPE QUANTITY [MT]	
		22 MM	-	22 MM	-	22 MM	-
	5	396	-	21,7	-	84,2	-
	4	352	-	19,3	-	62,6	-
	3	308	-	16,8	-	43,3	-
	2	264	-	14,4	-	26,5	-
	1	220	-	12,0	-	12,0	-
0	198	-	-	-	-	-	

LINE PULL [KGF]		
RATIO	LAYER	LINE PULL [KGF]
1/97,23	1	25.000
	2	20.830
	3	17.860
	4	15.620
	5	13.890

NOTE

Specifications are subject to change without notification and without incurring obligation. Specifications in this publication are theoretical and may vary depending on hydraulic system, environment, etc.

*Wire rope size must be respected. Recommended wire rope min. tensile strength 2160 N/mm². Wire rope minimum breaking load must be at least double of winch max. pulling capacity.

** Max. wire rope capacity according with EN 14492-1.

WEIGHT [KG]	
WINCH (WITHOUT CABLE)	410
ACCESSORY : ROLLERFAIRLEAD	60
ACCESSORY : CABLE TENSIONER	10

1.4.14 EPHL 250 FN CE WINCH PERFORMANCE CHARTS AT THE 1ST LAYER

