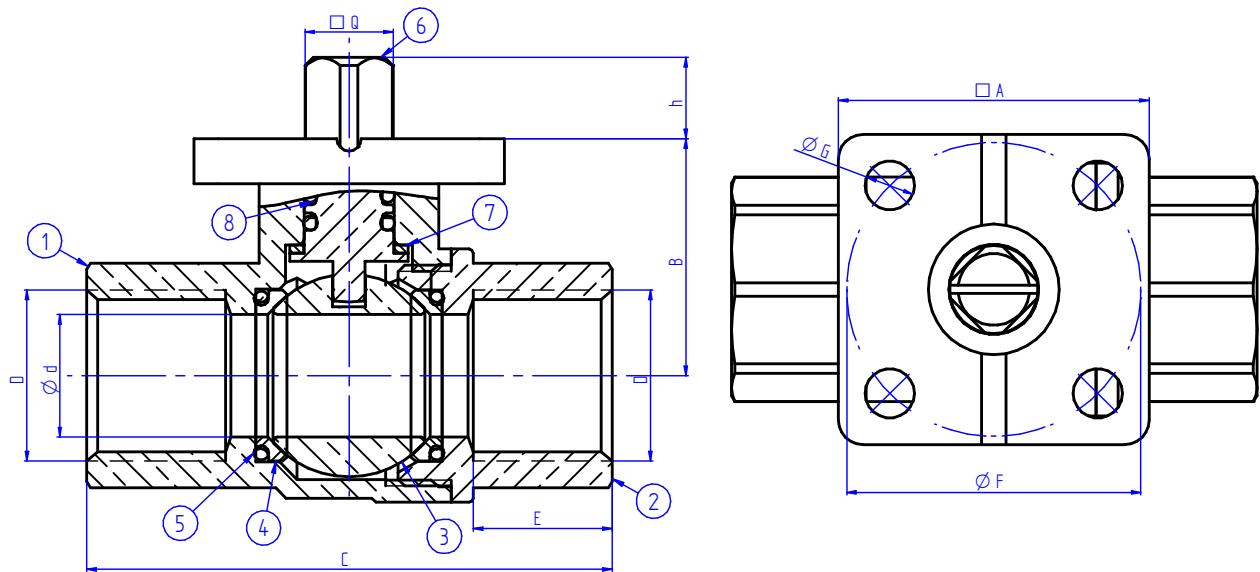


ITEM 160 BALL VALVE FOR ACTUATOR



POS.	DESCRIPTION	TREATMENT	MATERIAL	NORME	Q.TY
1	Hot pressed brass body (1/4ö-2ö)	Chrome plated	CW617N	UNI EN 12165	1
1	Casted brass body (2ö1/2÷ 3ö)	Chrome plated	CB754S	UNI EN 1982	1
2	Hot pressed brass nipple (1/4ö-2ö)	Chrome plated	CW617N	UNI EN 12165	1
2	Casted brass nipple (2ö1/2÷ 3ö)	Chrome plated	CB754S	UNI EN 1982	1
3	Ball (1/4ö-2ö)	Chrome plated	CW617N	UNI EN 12165	1
3	Ball (2ö1/2-3ö)	Chrome plated	CB753S	UNI EN 1982	1
4	P.T.F.E. Ring	/	P.T.F.E.	BS6564	2
5	O-ring	/	FKM 70SH	EN 549	2
6	Stem	Nickel plated	CW614N	UNI EN 12164	1
7	Washer	/	P.T.F.E.	BS6564	1
8	O-ring	/	FKM 70SH	EN 549	2

Dimensions

	1/4ö	3/8ö	1/2ö	3/4ö	1ö	1ö1/4	1ö1/2	2ö	2ö1/2	3ö
D	11,5	15	15	20	25	32	38	47	64	76
d	11,5	15	15	20	25	32	38	47	64	76
A	38 x 38	38 x 38	38 x 38	38 x 38	50 x 50	50 x 50	50 x 50	50 x 50	70 x 70	70 x 70
B	29	29	29	32,5	37	42	58	64	90	100
C	64	64	64	76	88	96	103	121	165	188
G 4 holes	6	6	6	6	6/7	6/7	6/7	6/7	8,5	8,5
E	17	17	17	19	21	22	22	24,5	34	37
F	36	36	36	36	36/50	36/50	36/50	36/50	70	70
Drilling	F03	F03	F03	F03	F03/F05	F03/F05	F03/F05	F03/F05	F07	F07
H	10	10	10	10	10	10	12	12	16	16
Q	9 x 9	9 x 9	9 x 9	9 x 9	9 x 9	9 x 9	11 x 11	11 x 11	14 x 14	14 x 14
Kv*	5,4	6	16,2	29,4	43	89	230	264	538	870
Weight gr	340	316	288	420	711	980	1249	2138	4075	5981

*Kv data are purely indicative

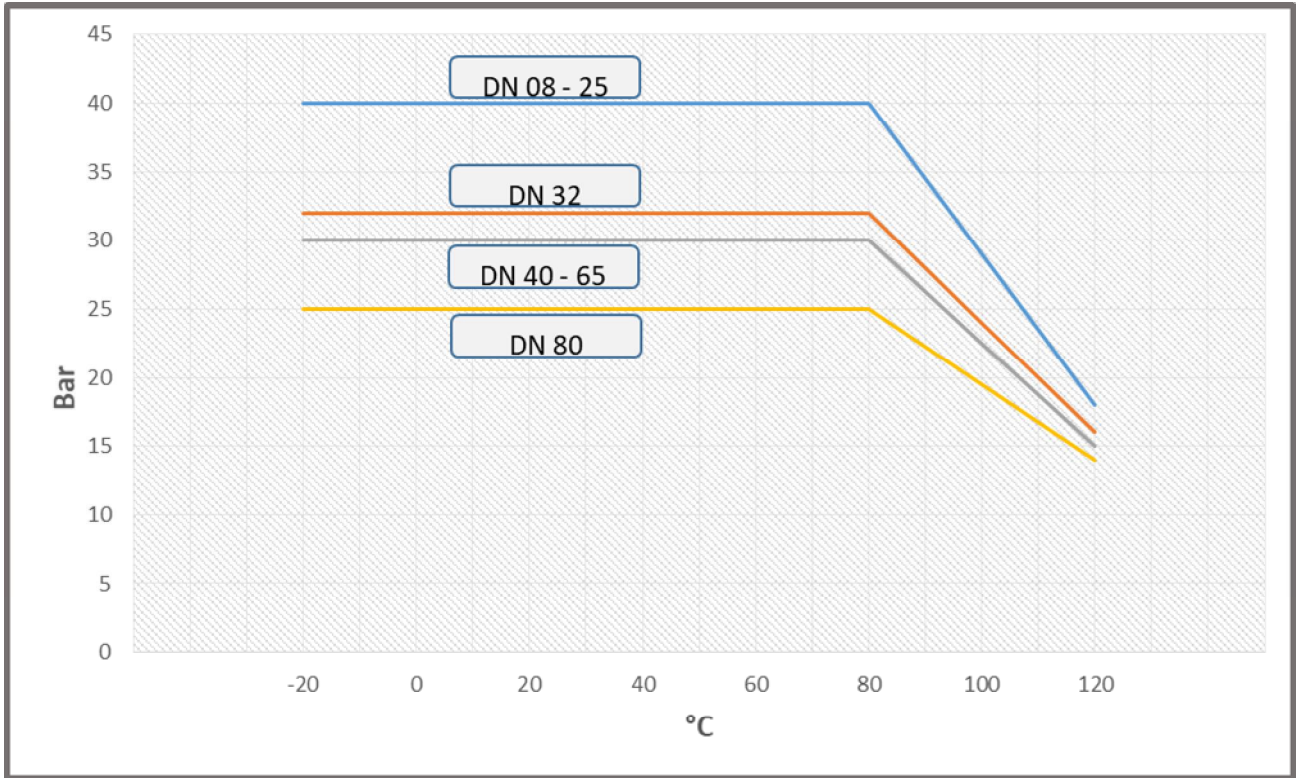
All technical data and characteristics are given as information only. Astori Rubinetterie S.p.A. reserves the right to make modification without previous notice

Astori Rubinetterie S.p.A. Via Monte Fenara, 20
13018 Valduggia ó VC ó Tel. 016347427 ó Fax 016348208
e-mail astori@astorispa.com - www.astorispa.com



ITEM 160 BALL VALVE FOR ACTUATOR

Pressure - Temperature Chart



The present graphic is purely indicative

Normative:

- UNI EN ISO 9001:2015
- Directive 97/23/CE (PED) notified body CE 0425
- Flange connection as UNI EN ISO 5211
- Stem square tolerance as DIN 79
- Threads ends UNI EN ISO 228-1

All technical data and characteristics are given as information only. Astori Rubinetterie S.p.A. reserves the right to make modification without previous notice

Astori Rubinetterie S.p.A. Via Monte Fenara, 20
13018 Valduggia ó VC ó Tel. 016347427 ó Fax 016348208
e-mail astori@astorisp.com - www.astorisp.com



ITEM 160 BALL VALVE FOR ACTUATOR

Specification:

- Installation: assembling in rigid pipework, for industrial, pneumatic and hydraulic installation, etc.
- Temperature range: min -20°C max + 120°C
- Fluid direction: as desired
- Pressure range: from 1/4" to 1": PN 40 up to 95°C ó PN 16 from 96°C to 120°C
1 1/4": PN 32 up to 95°C ó PN 16 from 96°C to 120°C
from 1 1/2" to 2 1/2": PN 30 up to 95°C ó PN 16 from 96°C to 120°C
3": PN 25 up to 95°C ó PN 16 from 96°C to 120°C
- Female/Female threads: Gas UNI EN ISO 228-1
- Blow-out proof stem
- Made in Italy

Torque moment

Mis	1/4"	3/8"	1/2"	3/4"	1"	1 1/4"	1 1/2"	2"	2 1/2"	3"	
Nm	3	3	3	4	5	10	15	15	20	20	

Installation

Due to its shape, the valve may be mounted in any position. The direction of flow, unless otherwise indicated by an arrow, may be in both directions. Check material suitability, pressure and temperature and their maximum and minimum values from technical documentation.

The valve assembly of the circuits must be performed while using appropriate tools which act exclusively on suitable levels in order to avoid abnormal stress to the seam of the valve itself. Do not exceed 30Nm.

Valve is not intended to withstand external stresses that may be induced by any system to which they are fitted. The hold of the screw threads of the tube must use suitable materials such as sealants, hemp, P.T.F.E. tape, etc. as according to technical standards and applicable laws.

For a longer lifespan of the valve, it is recommended to use it either in an OPEN or CLOSED position, avoiding anything in between, and to work it a few times a year. Do not do maintenance on the valve with a pressure system.

All technical data and characteristics are given as information only. Astori Rubinetterie S.p.A. reserves the right to make modification without previous notice