



AIR COMPRESSORS

Screw Compressors



Parts List

LS 10 270 D 10 400/50 CE

FIAC



Screw Compressors

LS 10 270 D 10 400/50 CE

Parts List

Edition: 1

- Copyright,
Any unauthorized use or copying of the contents or any part thereof is prohibited. This applies in particular to trademarks, model denominations, part numbers and drawings.
- Use only authorized parts. Any damage or malfunction caused by the use of unauthorized parts is not covered by Warranty or Product Liability.

Service kits

1609504241_00 Service kits 1-1

Lubricants

4116000554_00 Lubricants 2-1

Compressor package

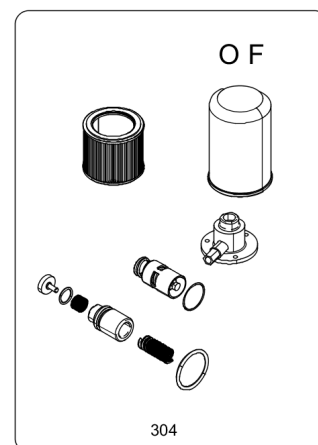
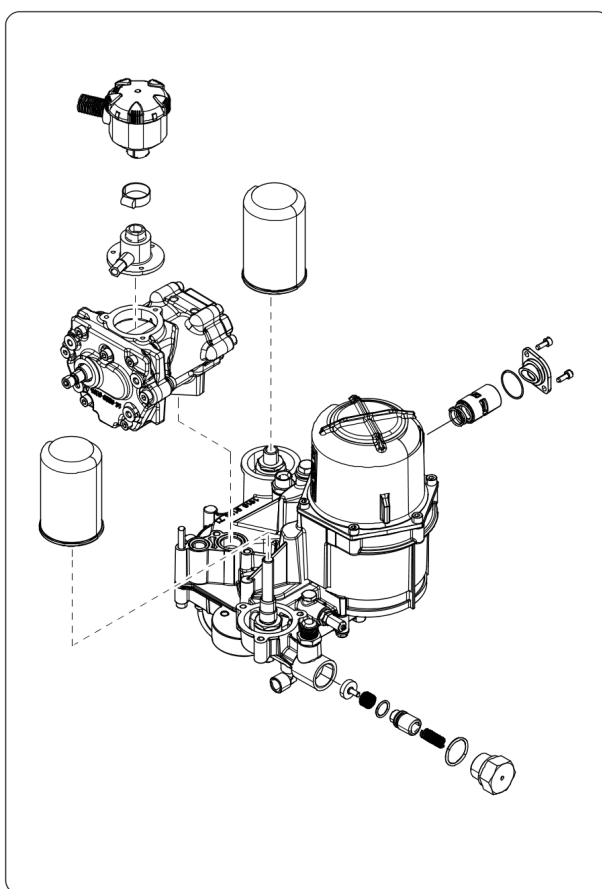
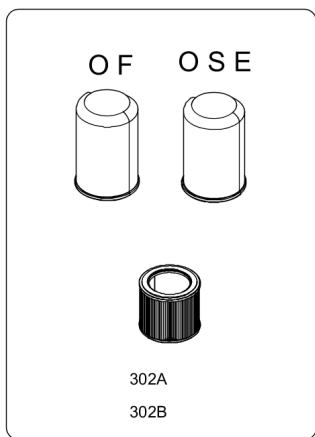
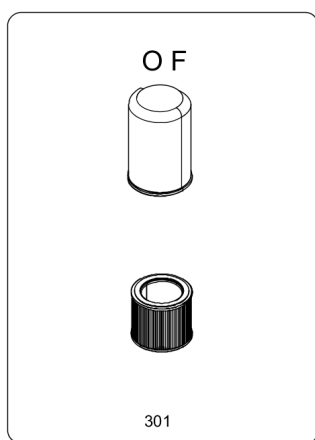
4116000554_00 Compressor package 3-1

Integrated block

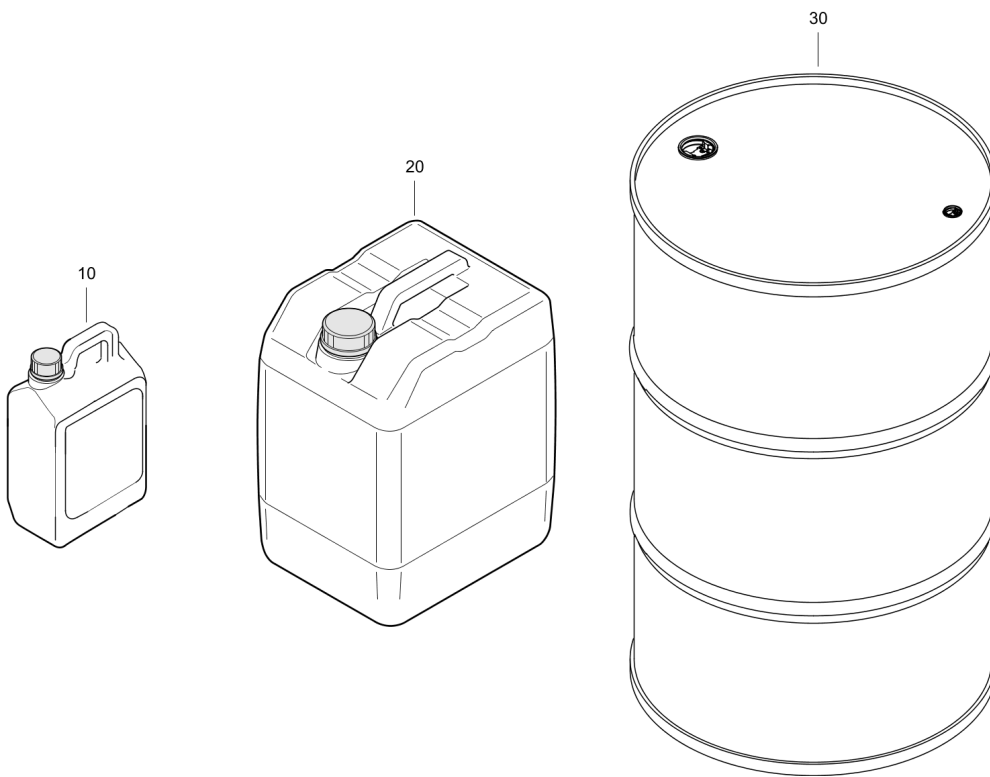
1609504241_00 Integrated Block 4-1

Canopy

1127150160_00 Canopy 5-1

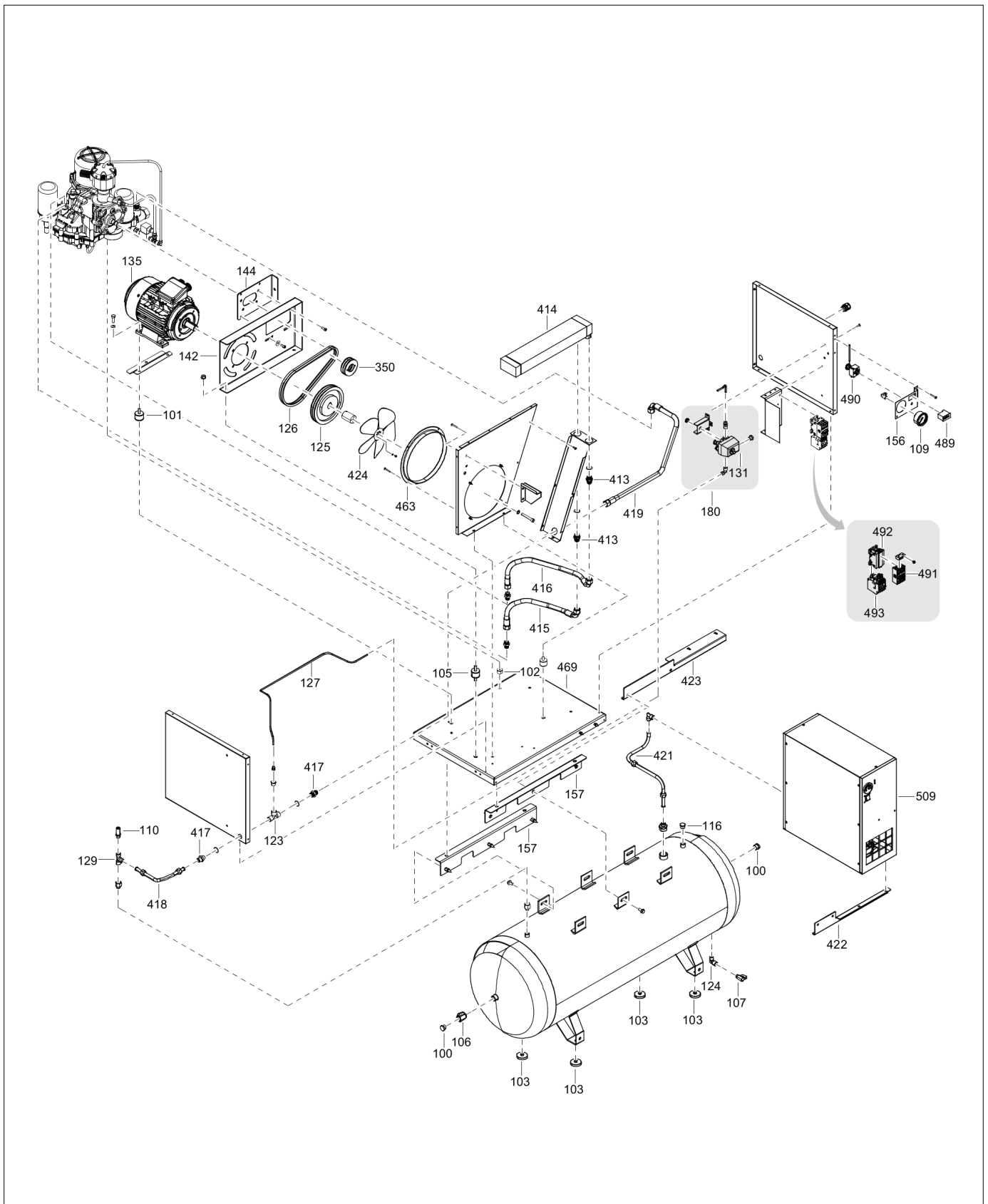


| Item | Part No. | Name | Qty | Uom |
|------|------------|------------------------------------|-----|-----|
| 301 | 2901370003 | Kit A 2000H/1Y maintenance | 1 | EA |
| 302A | 2901370004 | Kit B 4-6HP, 4000H/2Y maintenance | 1 | EA |
| 302B | 2901370010 | Kit B 8-10HP, 4000H/2Y maintenance | 1 | EA |
| 304 | 2901370011 | Kit C 6000H/3Y maintenance | 1 | EA |



| Item | Part No. | Name | Qty | Uom |
|------|------------|---|-----|-----|
| 10 | 6215715900 | Oil Fluidtech 5L (2000H; T<30°C) | 1 | EA |
| 10 | 1630021082 | Oil Fluidtech advanced 5L (2000H; 30°C < AT <40°C) | 1 | EA |
| 20 | 6215716000 | Oil Fluidtech 20L (2000H; T<30°C) | 1 | EA |
| 20 | 1630021085 | Oil Fluidtech advanced 20L(2000H; 30°C < AT <40°C) | 1 | EA |
| 30 | 6215716100 | Oil Fluidtech 209L (2000H; T<30°C) | 1 | EA |
| 30 | 1630021088 | Oil Fluidtech advanced 209L(2000H; 30°C < AT <40°C) | 1 | EA |

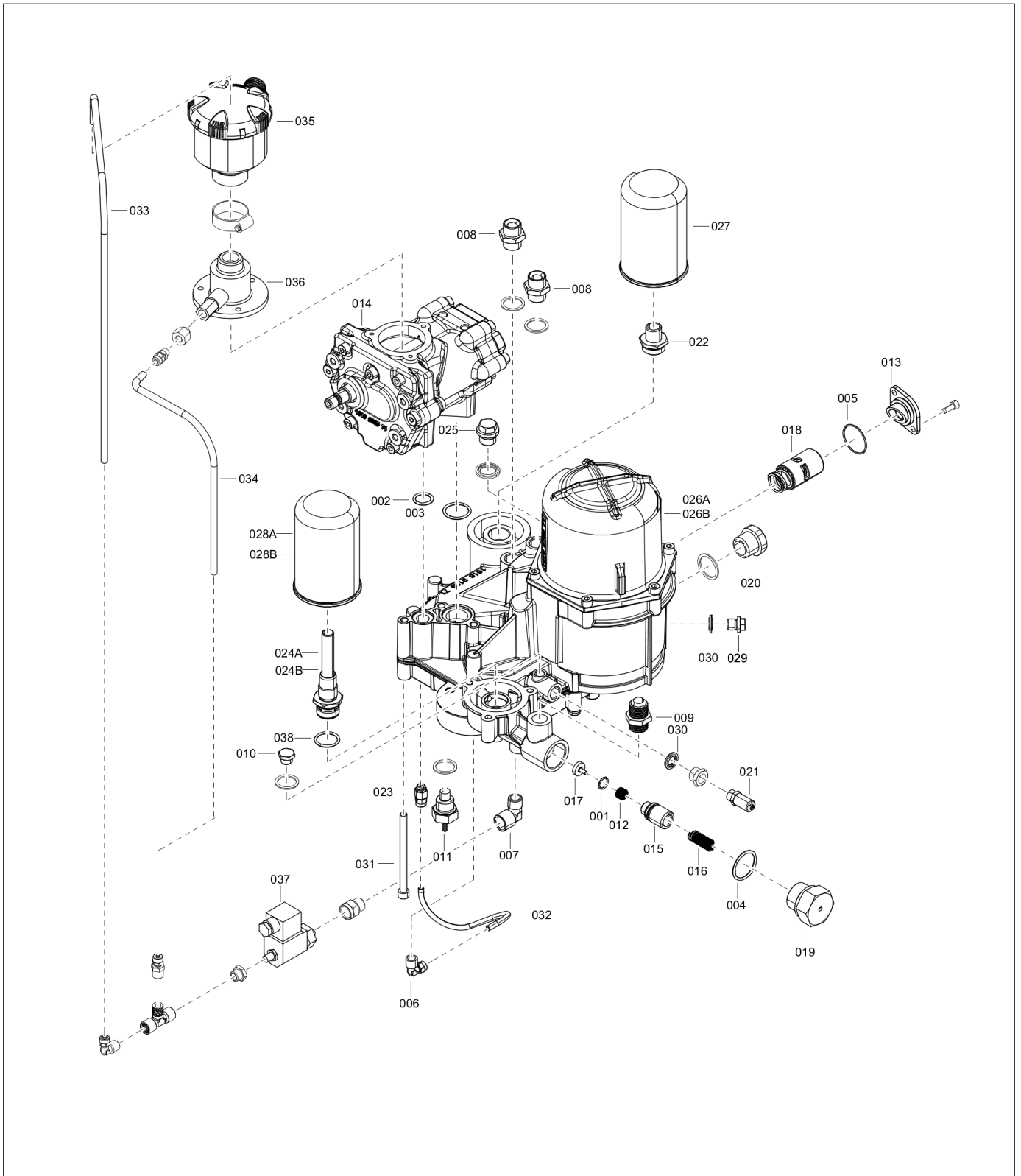
Compressor package 4116000554_00 Compressor package



| Item | Part No. | Name | Qty | Uom |
|------|------------|---------------------|-----|-----|
| 100 | 1127090003 | Plug | 2 | EA |
| 101 | 1127360454 | Antivibration pad | 1 | EA |
| 102 | 1127360402 | Damper | 1 | EA |
| 103 | 1127360040 | Feet | 4 | EA |
| 105 | 1127360440 | Damper foot | 2 | EA |
| 106 | 6210720200 | Ball valve | 1 | EA |
| 107 | 6210717800 | Drain tap | 1 | EA |
| 109 | 1127110103 | Pressure guage | 1 | EA |
| 110 | 1127190209 | Safety valve | 1 | EA |
| 116 | 1127090008 | Plug hexagon | 1 | EA |
| 123 | 1126000026 | Tee fitting | 1 | EA |
| 124 | 1127080001 | Elbow fitting | 1 | EA |
| 125 | 1127400005 | Pulley | 1 | EA |
| 126 | 1127370085 | Belt | 2 | EA |
| 127 | 1127230001 | Rilsan tube | AR | EA |
| 129 | 1127080270 | Pipe tee fitting | 1 | EA |
| 131 | 1127250002 | Pressure switch | 1 | EA |
| 135 | 1127380302 | Motor | 1 | EA |
| 142 | 1127510162 | Beltguard | 1 | EA |
| 144 | 1127510150 | Belt guard support | 1 | EA |
| 156 | 1127510189 | Instrument support | 1 | EA |
| 157 | 1125160493 | Support | 2 | EA |
| 180 | 1124050440 | Pressure switch kit | 1 | EA |
| 350 | 2204220443 | Pulley | 1 | EA |
| 413 | 1127080131 | Nipple | 2 | EA |
| 414 | 1091631933 | Cooler | 1 | EA |
| 415 | 1127230991 | Pipe | 1 | EA |
| 416 | 1127231064 | Pipe | 1 | EA |
| 417 | 1127080126 | Nipple | 2 | EA |
| 418 | 1127231068 | Delivery pipe | 1 | EA |
| 419 | 1127231072 | Pipe | 1 | EA |
| 421 | 1127231070 | Pipe | 1 | EA |
| 422 | 1125160491 | Support | 1 | EA |

| Item | Part No. | Name | Qty | Uom |
|------|------------|--------------|-----|-----|
| 423 | 1125160492 | Support | 1 | EA |
| 424 | 1127200118 | Fan | 1 | EA |
| 463 | 2202260822 | Fan conveyor | 1 | EA |
| 469 | 1125160154 | Base plate | 1 | EA |
| 489 | 1127560358 | Hour meter | 1 | EA |
| 490 | 1127560446 | Thermostat | 1 | EA |
| 491 | - | KM | 1 | EA |
| 492 | - | F1 | 1 | EA |
| 493 | - | FRM | 1 | EA |
| 509 | 4102003665 | Dryer | 1 | EA |

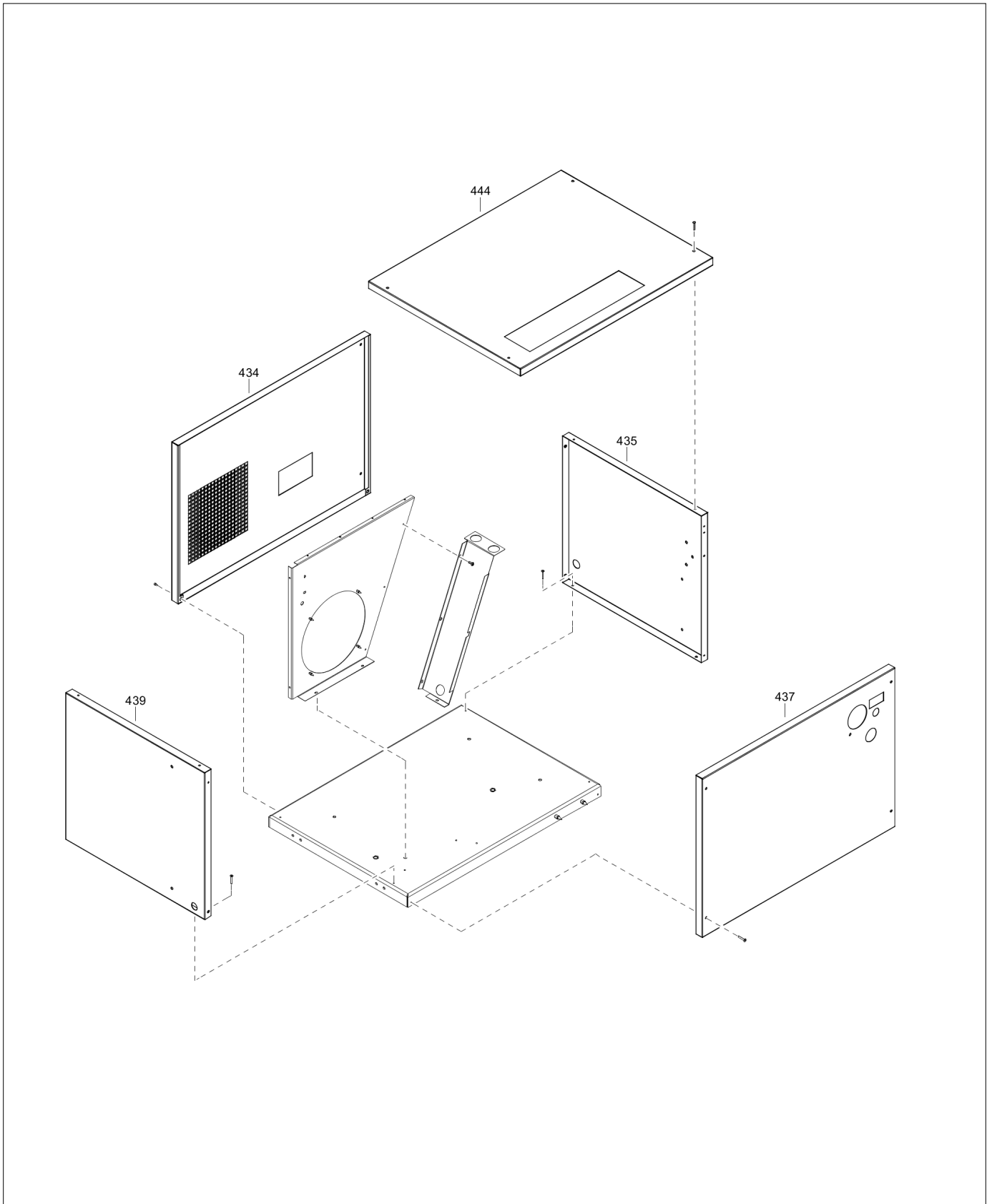
Integrated block 1609504241_00 Integrated Block



| Item | Part No. | Name | Qty | Uom |
|------|------------|----------------------------------|-----|-----|
| 001 | 0663210540 | O-ring | 1 | EA |
| 002 | 0663210673 | O-ring | 1 | EA |
| 003 | 0663211362 | O-ring | 1 | EA |
| 004 | 0663313000 | O-ring | 1 | EA |
| 005 | 0663713200 | O-ring | 1 | EA |
| 006 | 1127080056 | Elbow | 1 | EA |
| 007 | 1127080087 | Elbow | 1 | EA |
| 008 | 1127080126 | Nipple | 2 | EA |
| 009 | 1127080131 | Nipple | 1 | EA |
| 010 | 1127090009 | Plug hexagon | 1 | EA |
| 011 | 1127480800 | Temp.-LS Probe capsule | 1 | EA |
| 012 | 1513006400 | Spring | 1 | EA |
| 013 | 1614611800 | Thermostatic valve cover | 1 | EA |
| 014 | 1616903480 | Screw element | 1 | EA |
| 015 | 1622655800 | Piston | 1 | EA |
| 016 | 1622655900 | Spring | 1 | EA |
| 017 | 1622656903 | Valve | 1 | EA |
| 018 | 1622706405 | Thermostatic valve | 1 | EA |
| 019 | 1629007216 | Housing | 1 | EA |
| 020 | 2200759910 | Plug | 1 | EA |
| 021 | 2202721501 | Safety valve | 1 | EA |
| 022 | 2202928703 | Nipple | 1 | EA |
| 023 | 2204154601 | Check valve | 1 | EA |
| 024A | 2204213824 | Nipple OSE (For 4-6 HP) | 1 | EA |
| 024B | 2204213822 | Nipple OSE (For 8-10 HP) | 1 | EA |
| 025 | 2204220406 | Plug | 1 | EA |
| 026A | 9824179600 | Integrated block (For 4-8 HP) | 1 | EA |
| 026B | 9824180800 | Integrated block (For 10 HP) | 1 | EA |
| 027 | 6211472650 | Oil filter | 1 | EA |
| 028A | 6221372650 | Air- Oil separator (For 4-6 HP) | 1 | EA |
| 028B | 6221372850 | Air- Oil separator (For 8-10 HP) | 1 | EA |
| 029 | 0686371601 | Hexagon plug | 2 | EA |
| 030 | 0661100038 | Seal washer | 2 | EA |

| Item | Part No. | Name | Qty | Uom |
|------|------------|---------------|-----|-----|
| 031 | 0211134200 | Screw | 3 | EA |
| 032 | 0070600248 | Rilsan tube | AR | EA |
| 033 | 1127230001 | Rilsan tube | AR | EA |
| 034 | 1127230008 | Rilsan tube | AR | EA |
| 035 | 6211473600 | Air filter | 1 | EA |
| 036 | 2202260841 | Air unloader | 1 | EA |
| 037 | 1127190424 | Electro valve | 1 | EA |
| 038 | 0663211398 | O-ring | 1 | EA |

Canopy 1127150160_00 Canopy



| Item | Part No. | Name | Qty | Uom |
|------|------------|-------------|-----|-----|
| 434 | 1125160495 | Rear panel | 1 | EA |
| 435 | 1125160502 | Right panel | 1 | EA |
| 437 | 1125160497 | Front panel | 1 | EA |
| 439 | 1125160503 | Left panel | 1 | EA |
| 444 | 1125160504 | Top panel | 1 | EA |



Compressed air at your service