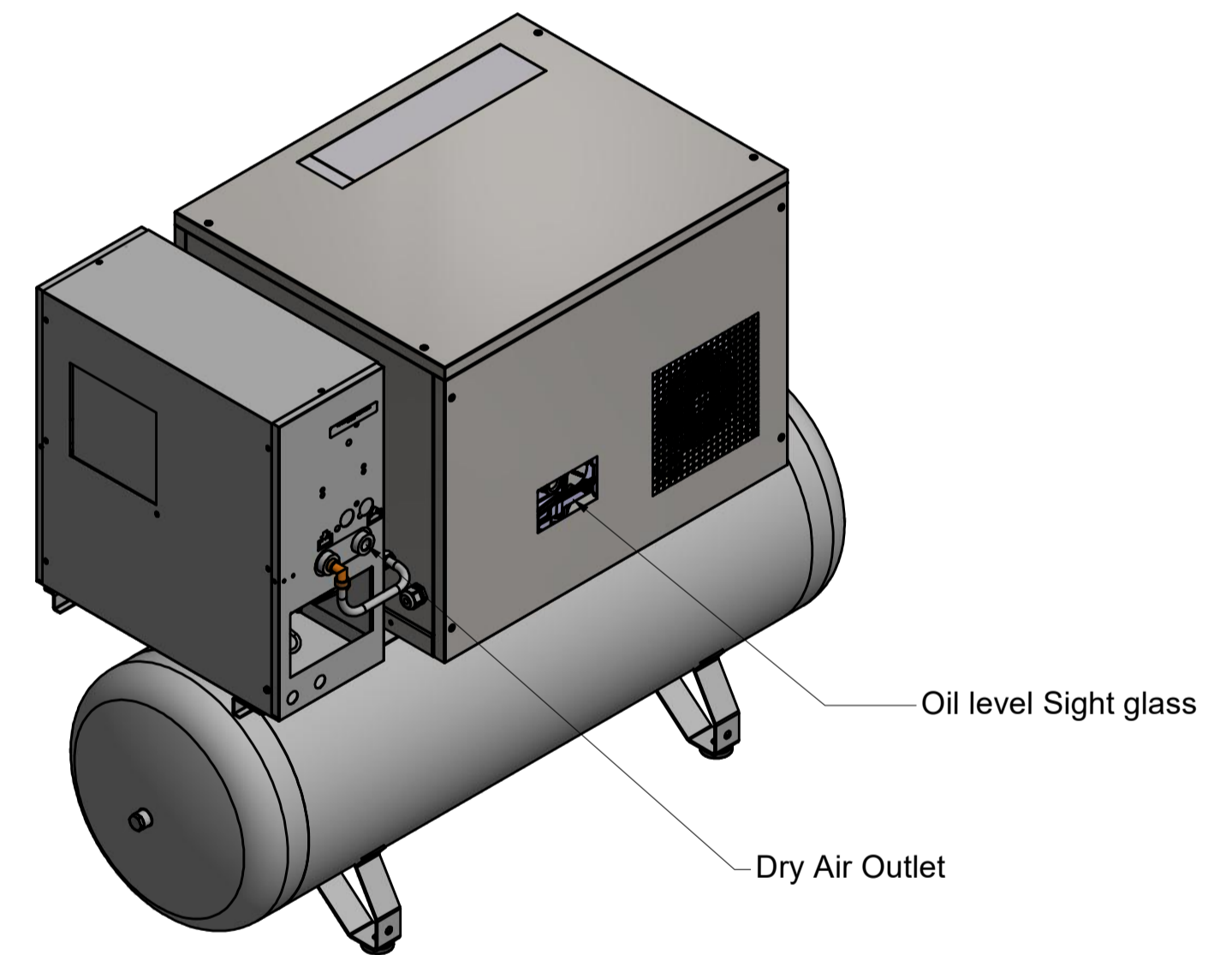
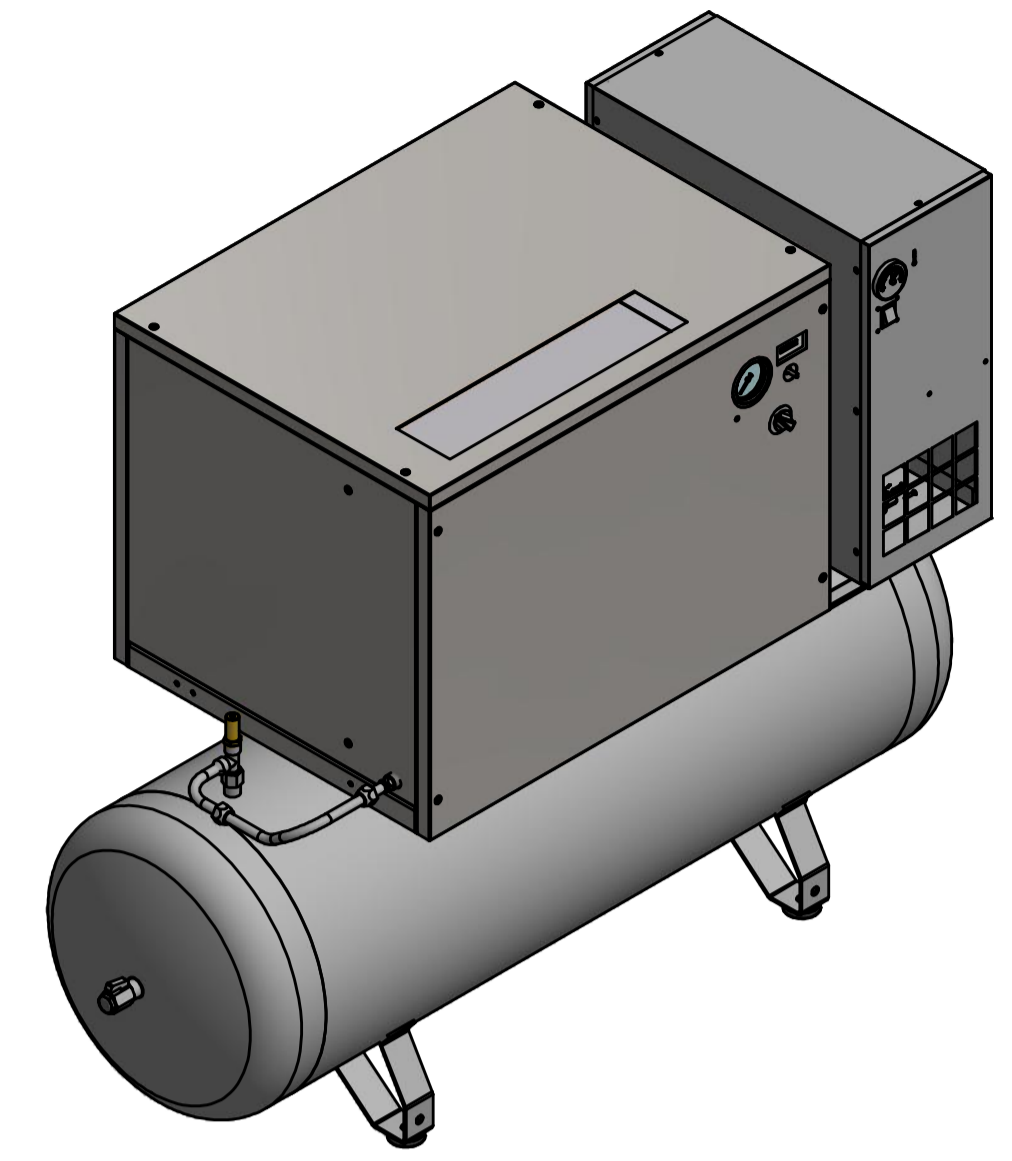
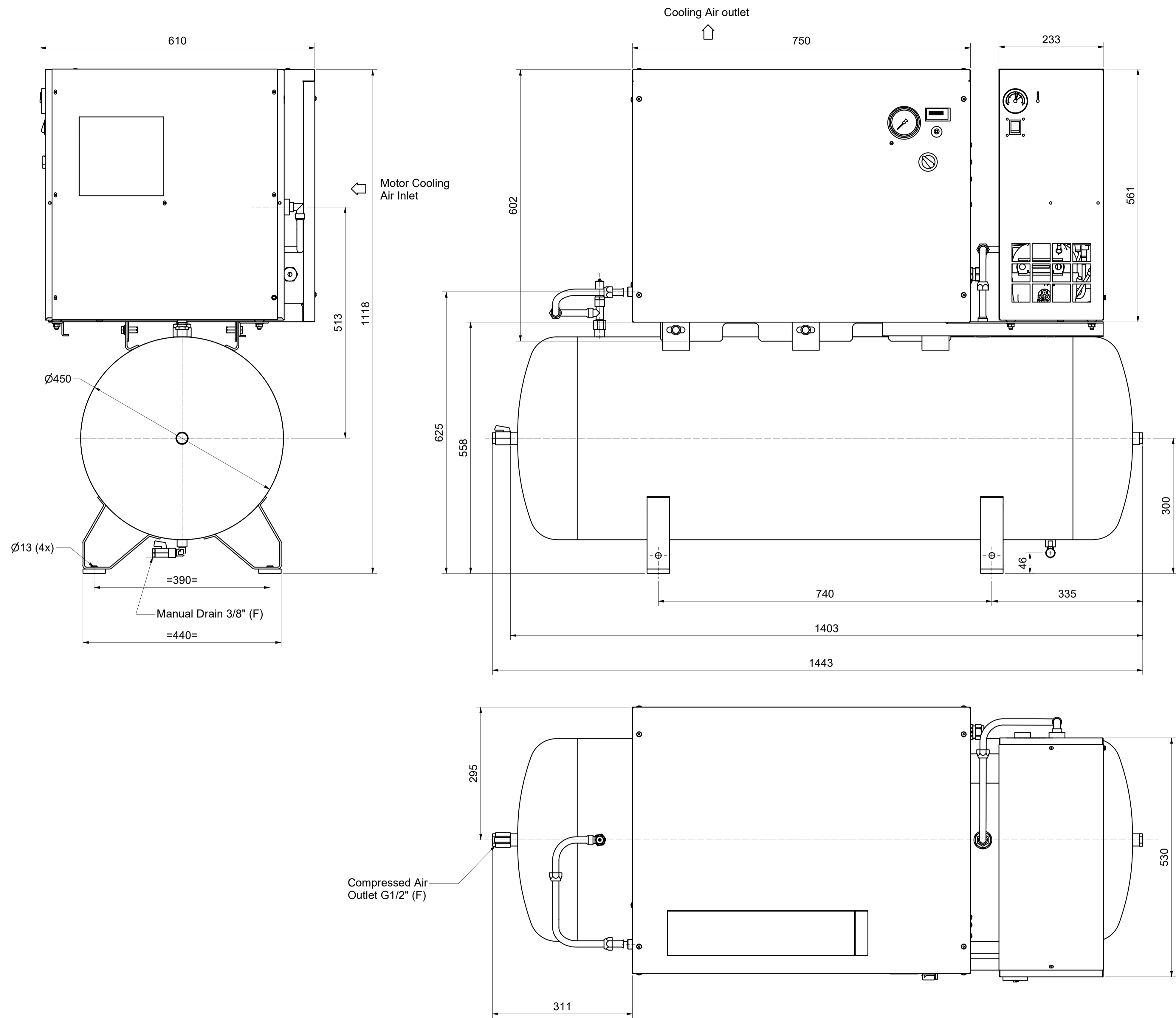


All materials supplied are in compliance with the requirements of the List of Prohibited Substances



NOTE :
- THIS DRAWING CAN NOT BE USED TO MEASURE NOT INDICATED DIMENSIONS

Tolerances, if not indicated, according to:		General tolerances			
ATLAS COPCO STANDARD CLASS		1350K - m			
Name	DIMENSION DRAWING	LS 200 L WITH DRYER	Confidentiality Class	Internal	
Material	Not Applicable			Internal	
Treatment	Not Applicable			INV	
Scale	1 : 5	Family		Compare	
Drawn by	INEKCo	Blank nr.		Replaces	
Drawing format	Blank wt	kg	Fin. wt.	N/A	Designation
STATUS	A1	kg			Sheet
Des. checked.	Prod. checked.	Approved.	Date	07/04/2021	9820850433

4116000548

Parent 3D model

Ed . Version 3D

For Approval

Des. checked.

Prod. checked.

Approved.

Date

07/04/2021

9820850433

Sheet

1 / 1

Ed	Position	Modified from	04-30-2021	INEKCo
			Date	Intr./Appd.

CONFIDENTIAL: This document is property of Atlas Copco AB and shall not be used without our permission. It is intended for internal use only and is not to be distributed to any other person or company.