

Valves

Valves with NAMUR-Interface

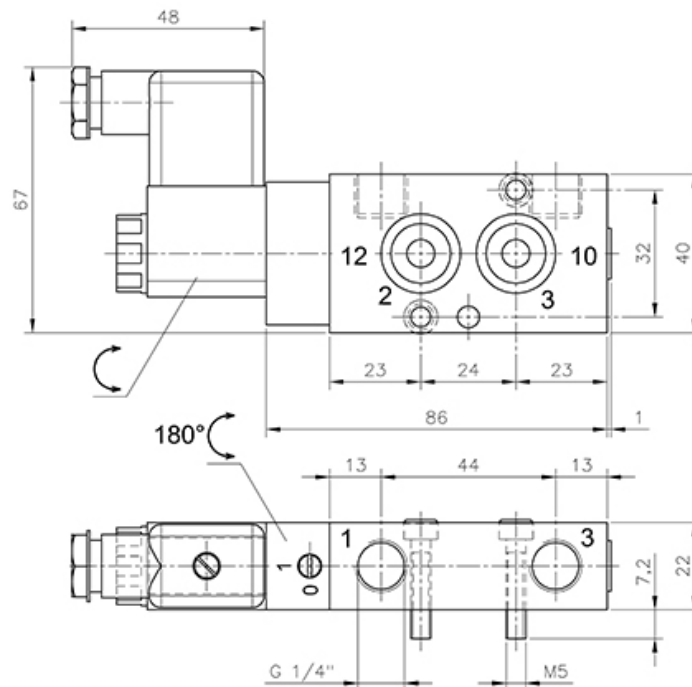
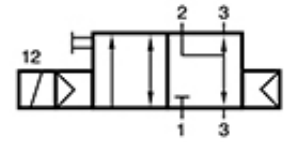
Solenoid valves

3/2-way valves

MNH 310 711

Solenoid valve with NAMUR interface | monostable | NC | air spring return | with manual override | ports 1 and 3 are swapped

HAFNER



Specifications

Port size	G 1/4"
Air flow	1250 l/min
Operating pressure	2...10 bar
Funktion	Single solenoid NC
Power consumption	3 W / 5 VA
Interface	NAMUR [1/4"]

www.hafner-pneumatik.com