

# Valves

## Valves with NAMUR-Interface

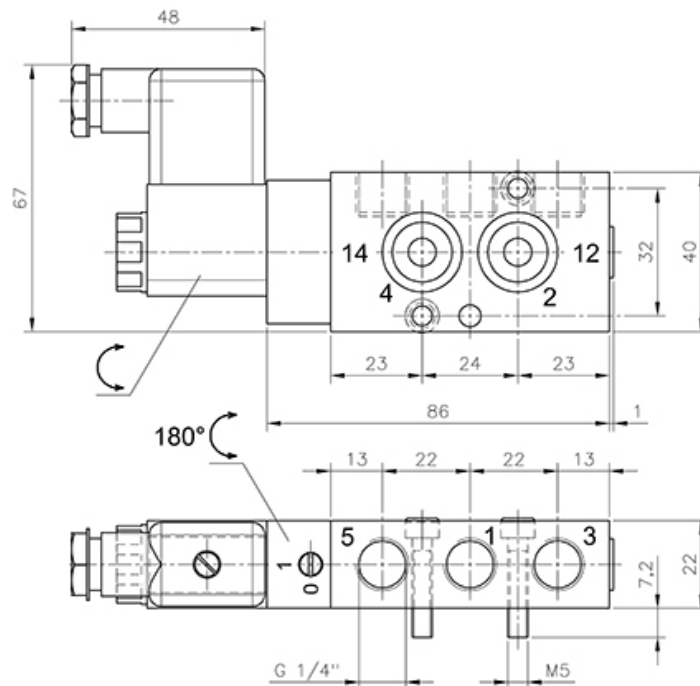
### Solenoid valves

#### 5/2-way valves

#### MNH 510 701

Solenoid valve with NAMUR interface | monostable | air spring return | with manual override

HAFNER



**Specifications**

Port size	G 1/4"
Air flow	1250 l/min
Operating pressure	2...10 bar
Funktion	Single solenoid
Power consumption	3 W / 5 VA
Interface	NAMUR [1/4"]

[www.hafner-pneumatik.com](http://www.hafner-pneumatik.com)