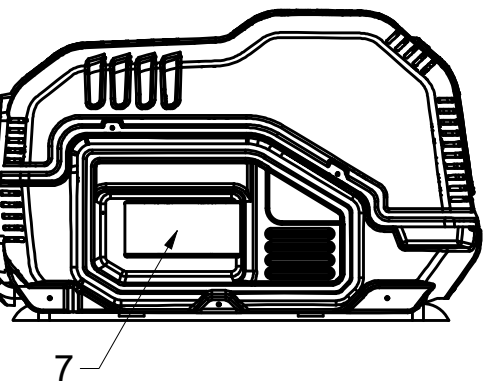
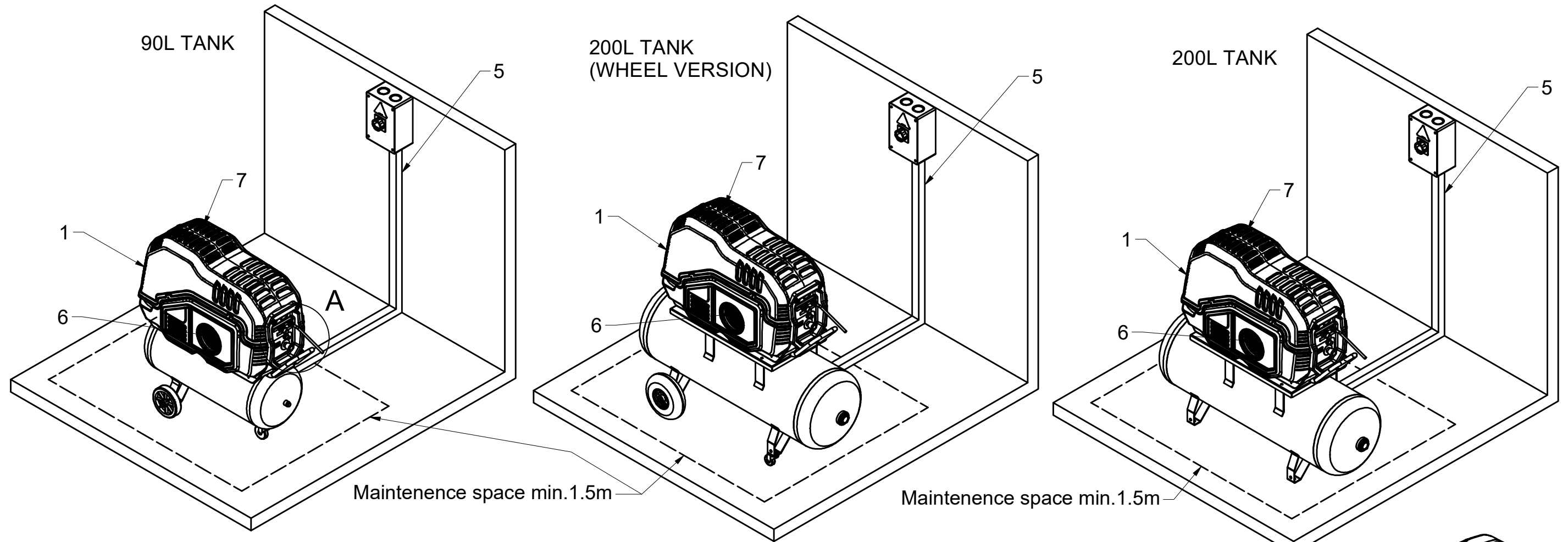
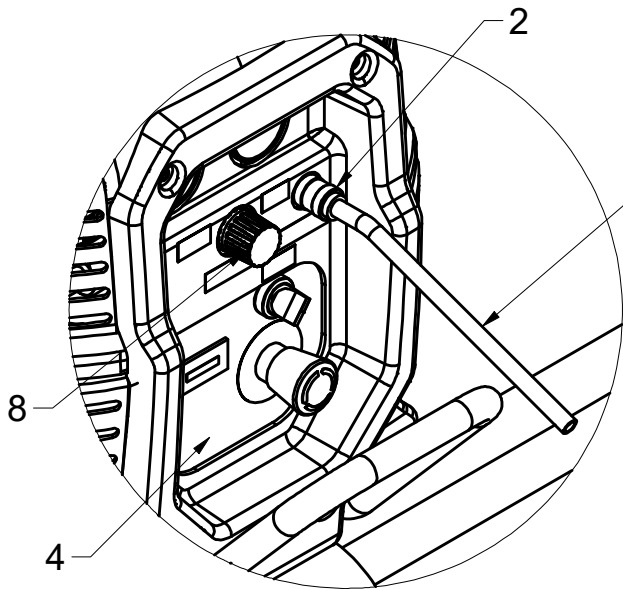


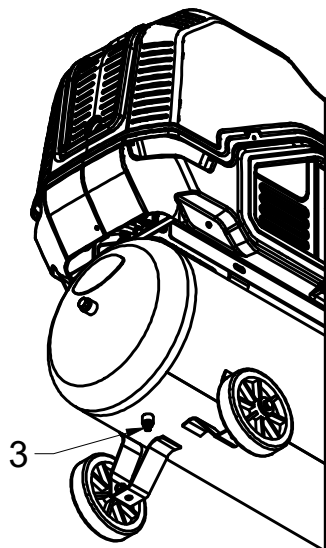
All materials supplied are in compliance with the requirements of the List of Prohibited Substances



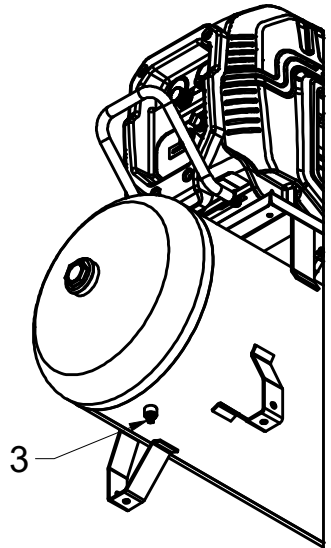
A (1:5)



Air delivery



Pos.	Description
1	Compressor unit
2	Compressed air outlet
3	Tank drain
4	Control cubicle
5	Power supply cable
6	Cooling air inlet of compressor
7	Cooling air outlet grating of air/oil cooler
8	Outlet pressure regulation



Note:
- Space required above Compressor roof is minimum 1.5m

Tolerances, if not indicated, according to:											
Name		INSTALLATION PROPOSAL				C43iDD 2,2 kW		Confidentiality Class acc. to 1102 K			
Material		Not Applicable						Confidential			
Treatment		Not Applicable						INV			
Scale		1 : 22		Family		C43iDD		Compare		Drawing Owner	
Drawn by		caimdc		Blank nr.				Replaces			
Drawing format		Blank wt		Kg		Fini wt.		N/A		Transferred from	
STATUS		A3		Des checked.		Prod checked.		Approved.			
Ed		Position		Modified from		Date		14/04/2021		<p style="font-size: 24pt; font-weight: bold;">9828084486</p>	
00		ISSUED. CID 27787 - DN 21 0633 20		04-14-2021 CAImdc		9828084486		Sheet 1 / 1			
Ed		Date		Intr./Appd.		Parent 3D model		Ed . Version 3D		Approved	

CONFIDENTIAL:

This document is property of Atlas Copco AB and shall not without our permission be altered, copied, used for manufacturing or communicated to any other person or company.