



Concept for Front Loaders

RMS 202



RV 361/362



Accumulator



RV 361/362
3rd and 4th function
Suspension management

Load damping:
Accumulator

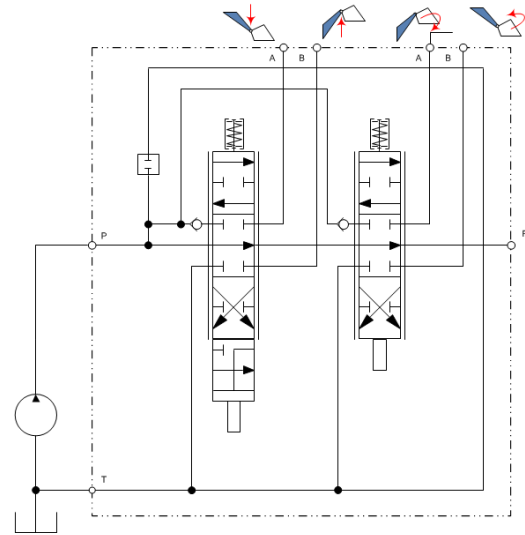
RMS 202
Main valve
Loader and Bucket control



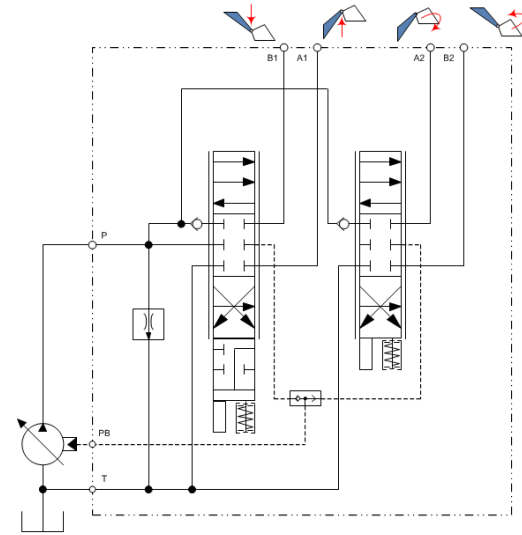
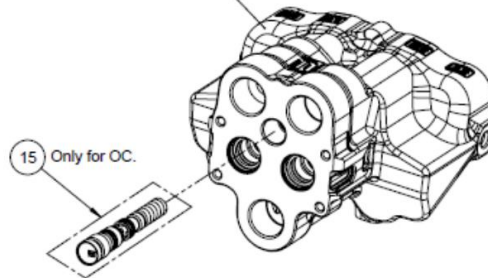
Hydraulic Schematic

RMS 202

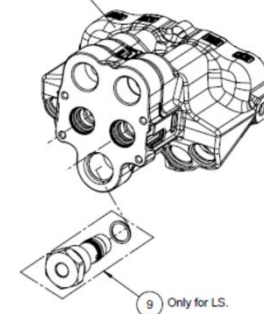
- 100 l/min <math>< 10 \text{ bar } \Delta p</math>
- 4x Workport Valves optional
- Anti Thermo Shock Function
- Leakage in Neutral Position: <math>< 5 \text{ cc/min @ } 100 \text{ bar, } 32\text{cSt}</math>
- Spool stroke $\pm 6\text{mm}$ (Float +4mm)
- For Open Center and Load-Sensing
- Cable Control and Electro Hydraulic Control



OC - Valve housing with PRV



LS - Valve housing without PRV





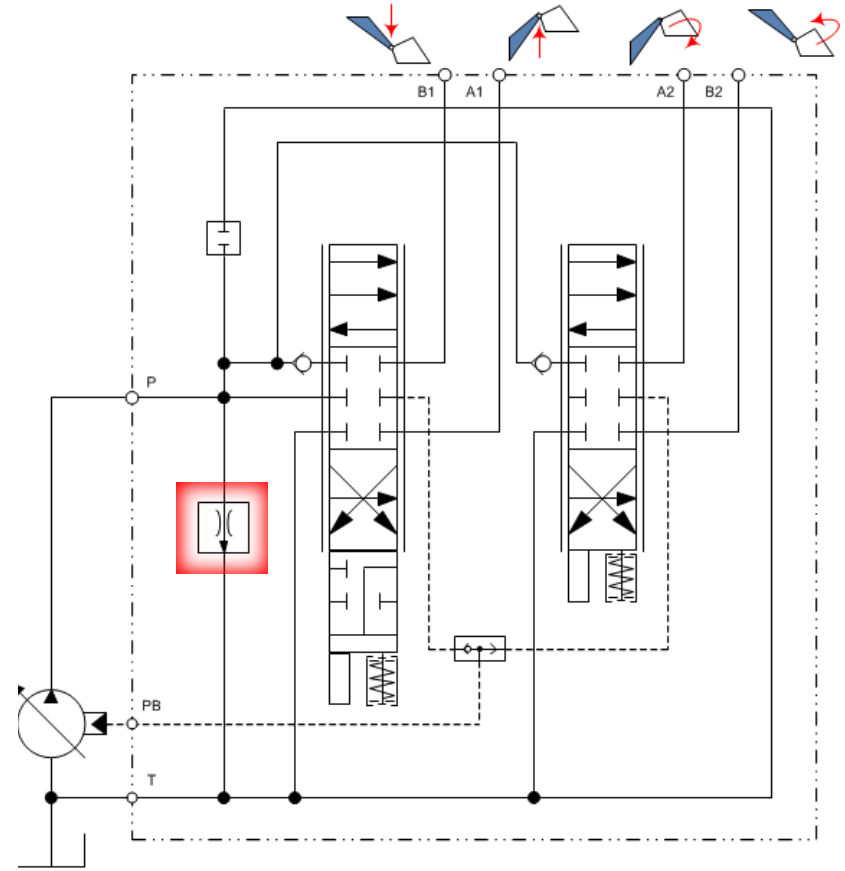
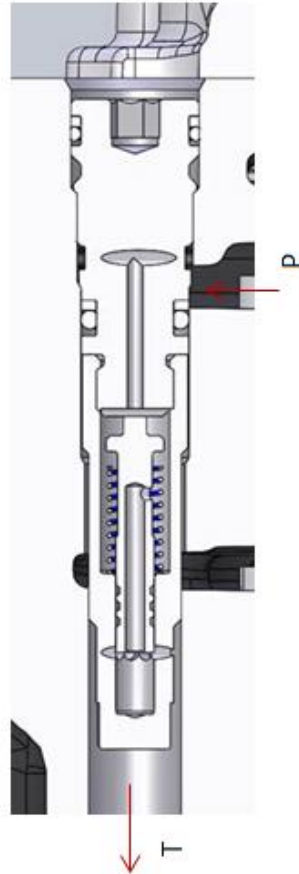
HYDAC

INTERNATIONAL

RMS 202

Anti Thermo Shock Valve

Pressure compensated heating function to avoid sticking spools during cold valve and hot oil.
(max 1,5 l/min)



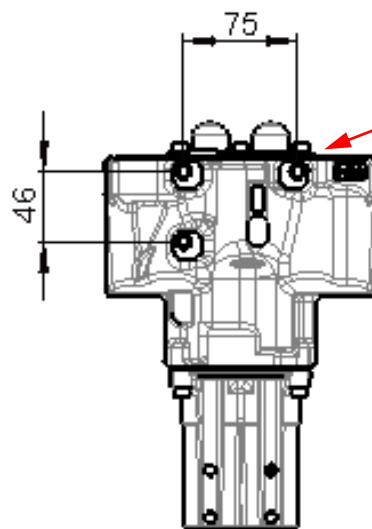
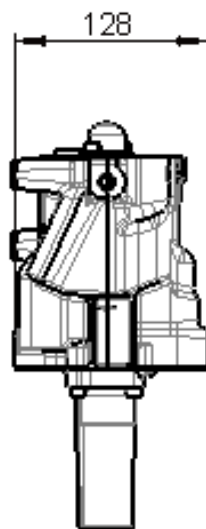
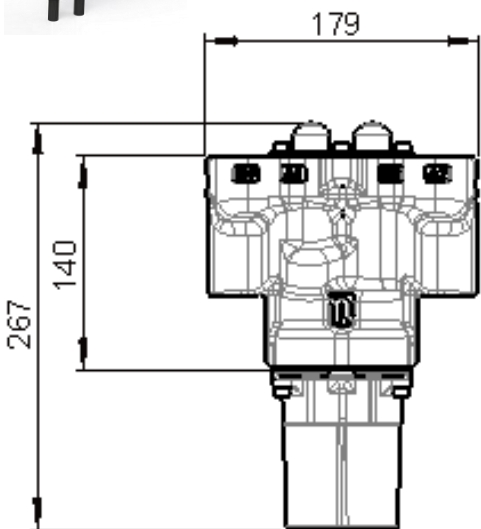


HYDAC

INTERNATIONAL

RMS 202

Fixation



M8 x 3

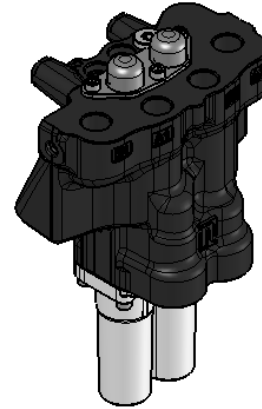
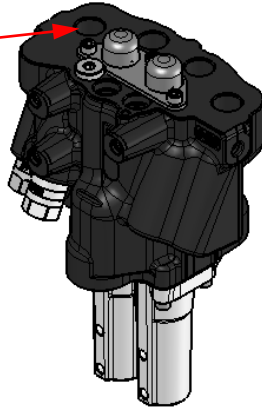




RMS 202

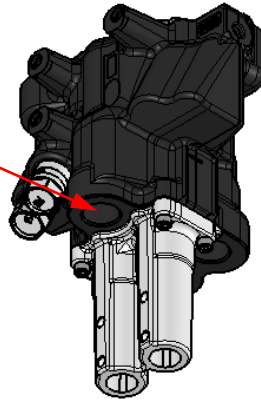
Ports

A/B-ports

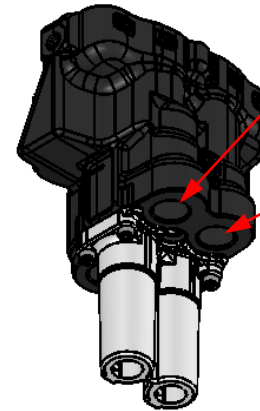


T-port

P-port (OC)
LS-port (LS)



P-port (LS)
Pb-port (OC)



A/B –ports

BSP 1/2"

P-port

BSP 3/4"

T-port

BSP 3/4"

Pb-port (OC)

BSP 3/4"

LS-port (LS)

BSP 3/4"



HYDAC

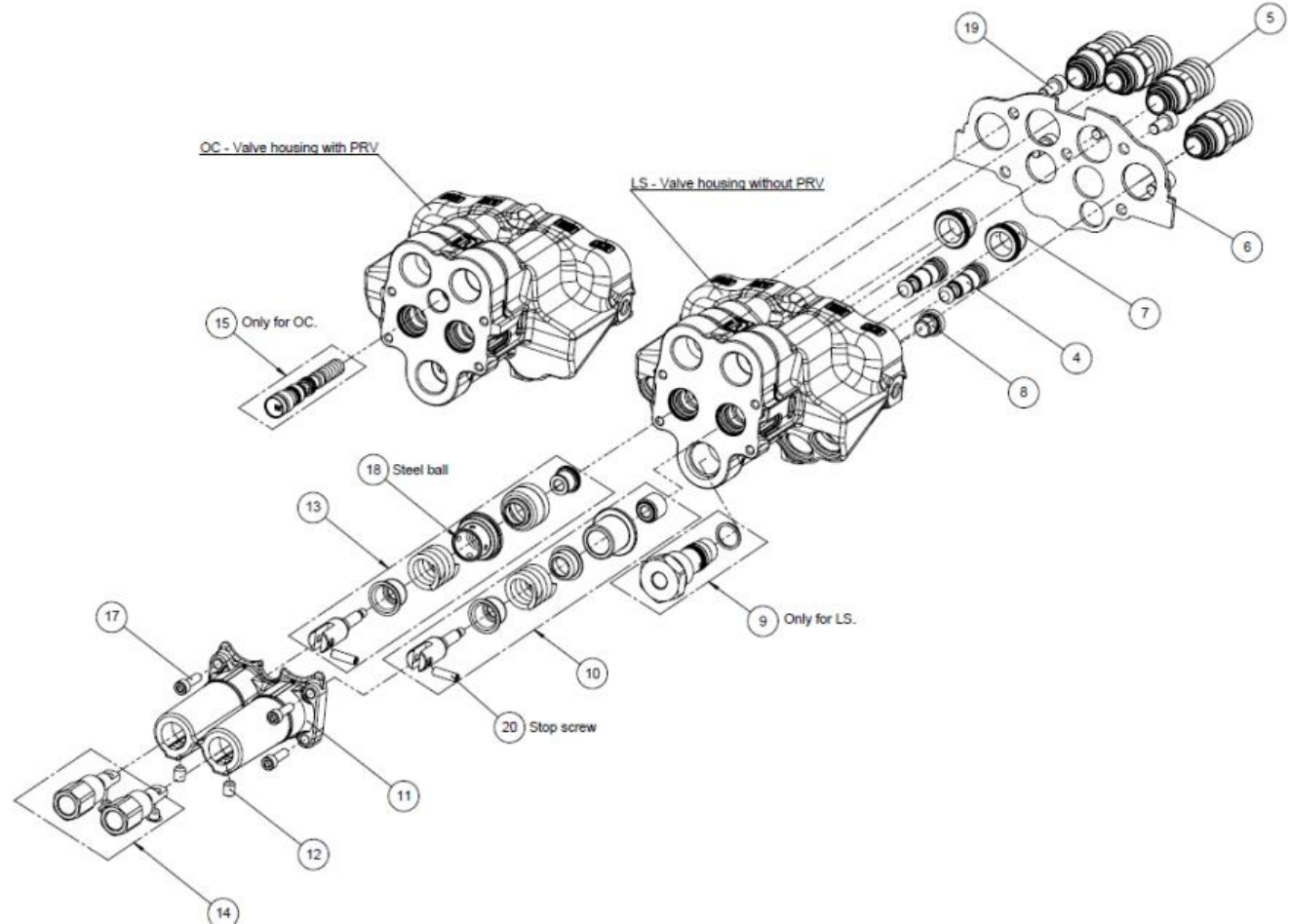
RMS 202

INTERNATIONAL

Cable Control

Patented spring cap for cable connection

The special spring cap for the cable connection allows the fixation of the cable without disassembling the cap

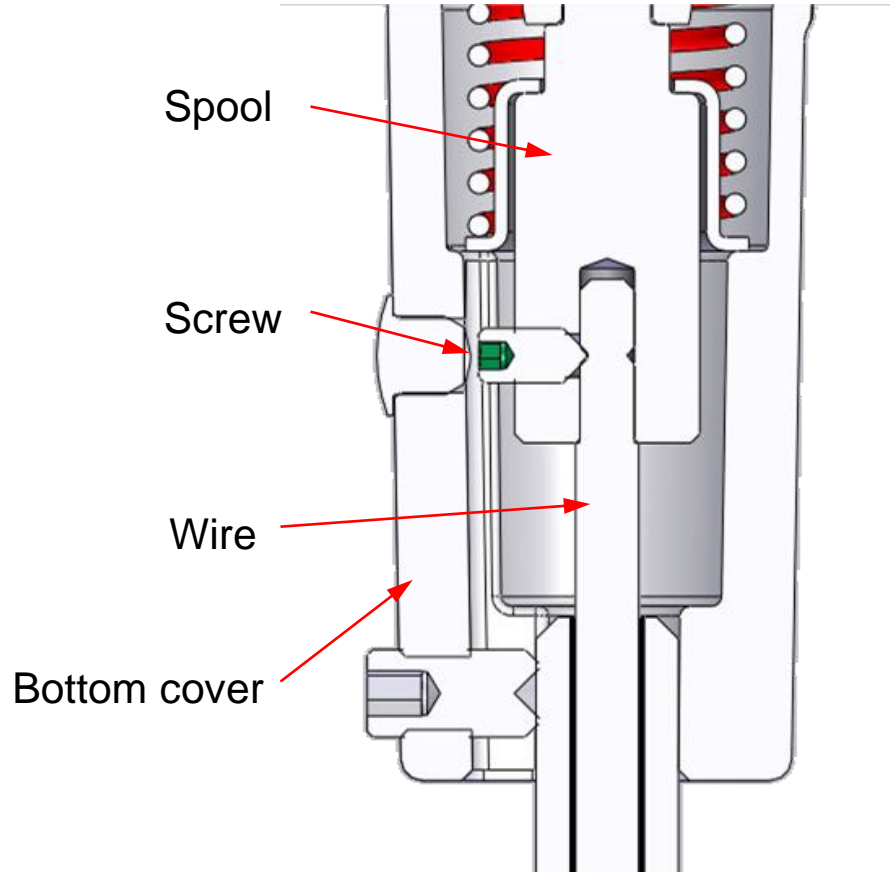
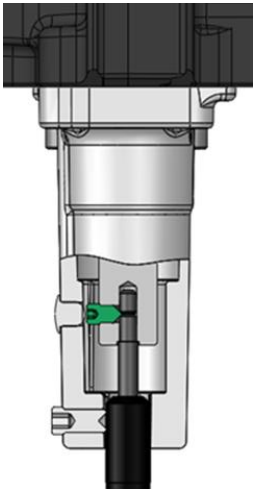




Cable Control

Patented Cable coupling

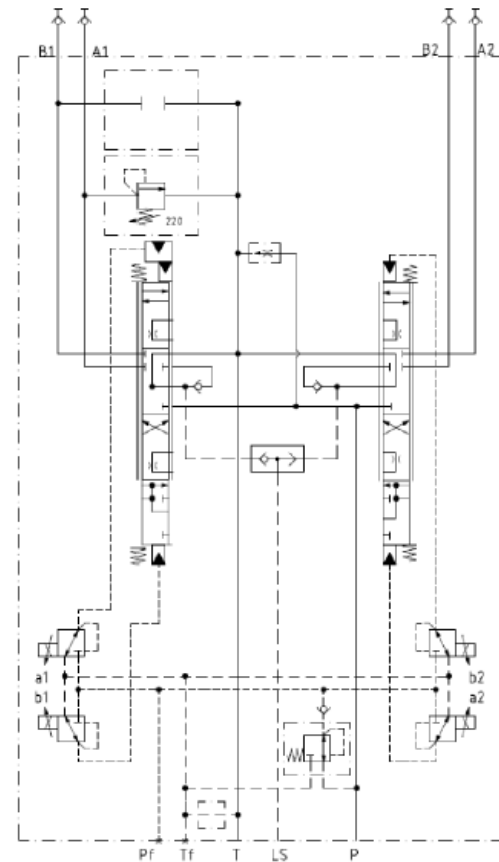
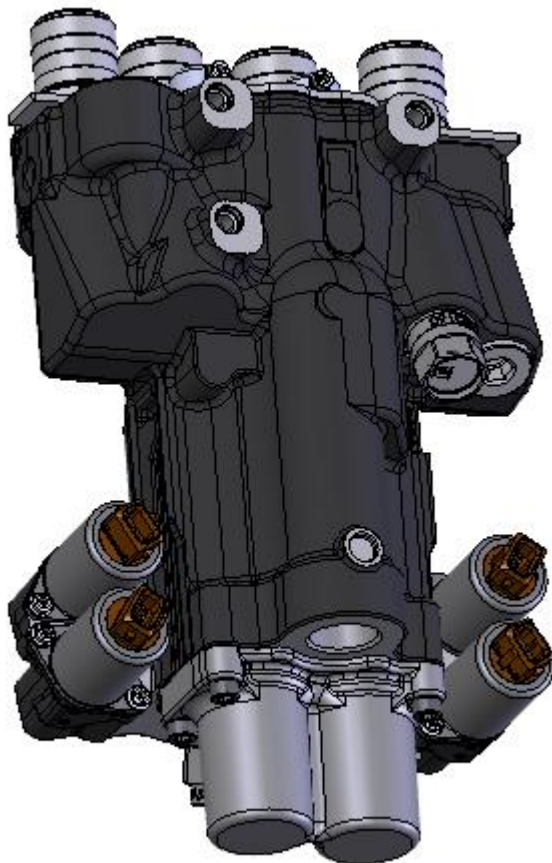
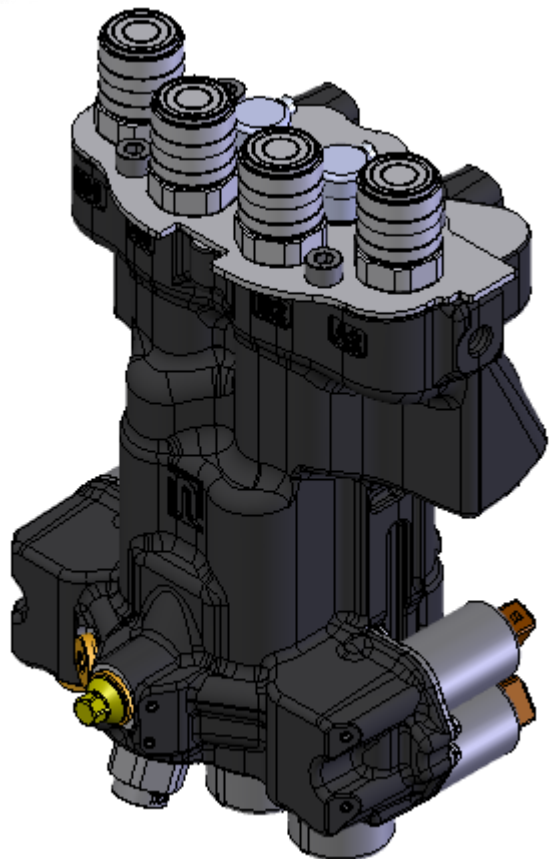
- Reduction of the number of pieces
- Reduced assembly time
- Simplified cable end
- 360 ° orientation of the cable
- 2 fixing screws only
- Economic gain





RMS 202

Electro Hydraulic Control



Concept for Front Loaders

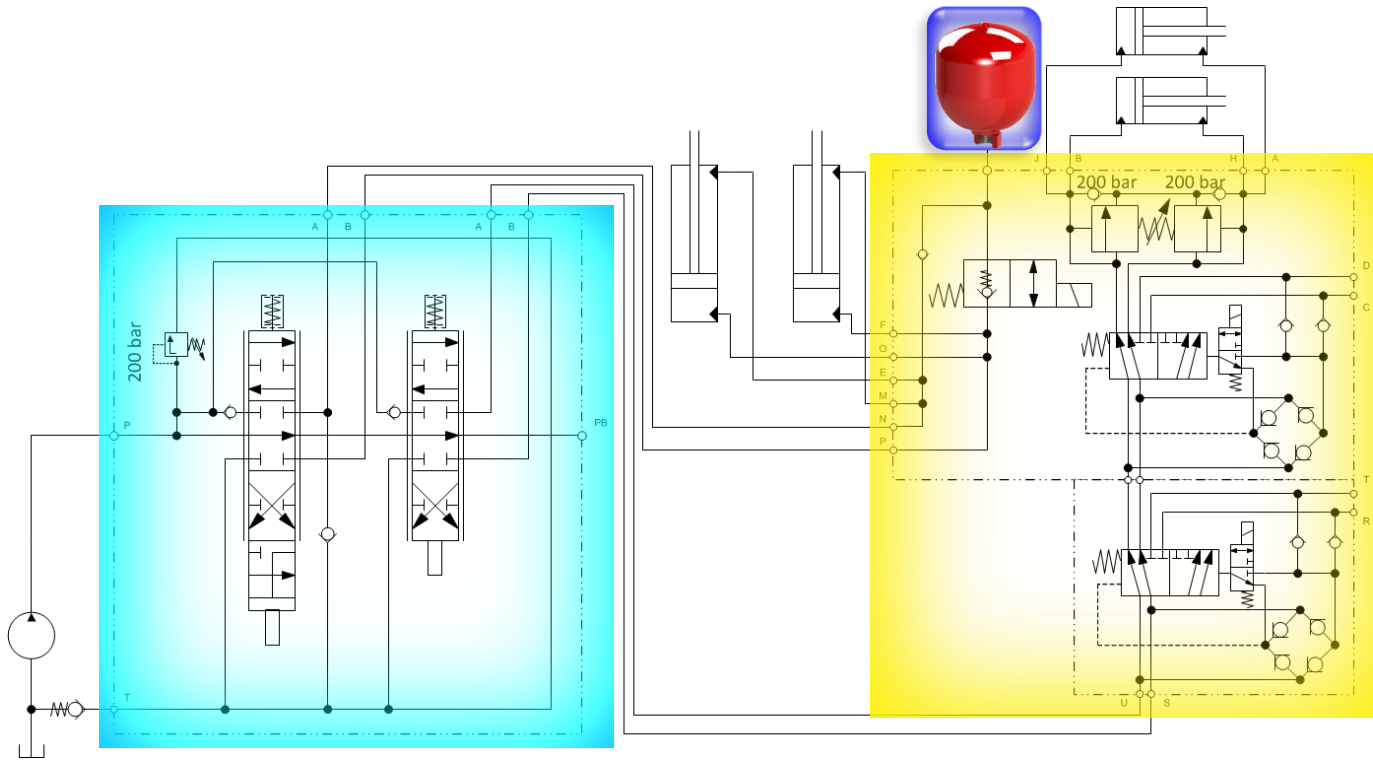
RMS 202



RV 361/362



Accumulator



HYDAC INTERNATIONAL

Thank you for your attention!

