

ELECTRICAL DIAGRAM

MACHINE

CUSTOMER

COMPACT SMART 2

3kW 230V 1ph 50Hz Ktronic 8

Construction year

2023

Order number

Documentation number

VALID FOR CONSTRUCTION

DATE 02/02/2024 SIGN. P.A.



Via Palazzon, 70
Creazzo - Vicenza
ITALY

Date 20/11/2023

Desig. PA

Check

Appr.



Via Palazzon, 70
36051 - Creazzo VI
ITALY

Title

COVER PAGE

Plant

COMPACT SMART 2 - 3kW 230V 1ph 50Hz Ktronic 8

Project Nr.


034444

Drawing

UTE_034444_REV.00.dwg

Sheet 1 Of 12

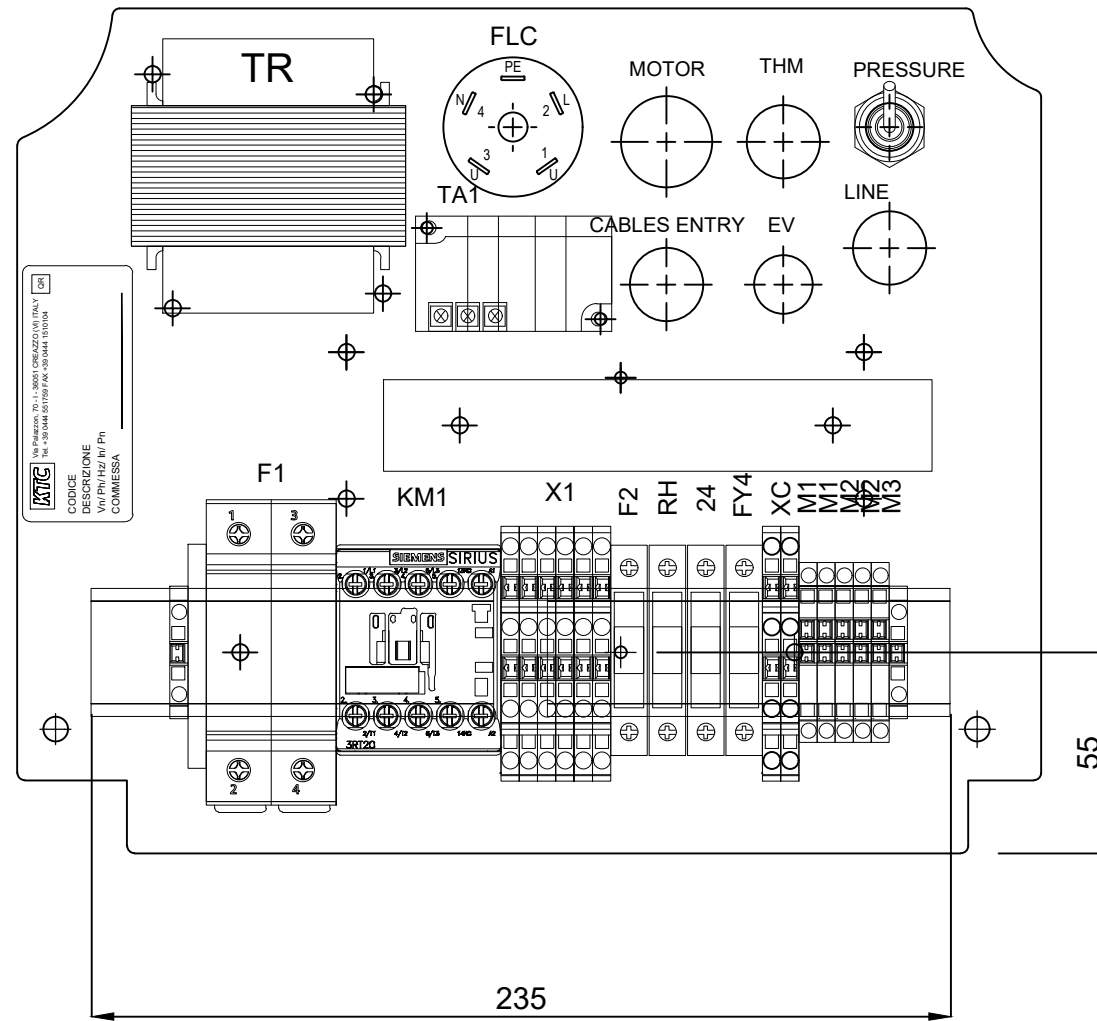
Next 2

GENERAL DATA					
ELECTRICAL NOMINAL VALUE			WIRE COLOUR		
DESCRIPTION		DATA	TOLERANCE	CIRCUITS	COLOUR
OPERATING VOLTAGE	V	1~ PE AC 230	±10 %	AC / DC POWER	BK
FREQUENCY	Hz	50	±2 %	NEUTRAL	LIGHT-BU
CURRENT	A	16.5		AC AUXILIARIES PHASE	RD
POWER	kW	2.7		AC AUXILIARIES COM.	RD
SHORT-CIRCUIT CURRENT	Icw / Icc	Icc=5kA		DC AUXILIARIES PHASE	BU
				DC AUXILIARIES COM.	BU
AC AUXILIARIES CIRCUITS	Vac	24	±10 %	LIVE CIRCUITS	OG
DC AUXILIARIES CIRCUITS	Vdc			PROTECTIVE EARTHING <PE>	YG
				NOISELESS EARTHING <FE>	BN
MINIMUM DEGREE OF PROTECTION		IP20			
DISTRIBUTION SYSTEM		TN	TT	IT	ENVIRONMENT CONDITION
		X	X		
ABBREVIATIONS					
BLACK	BK				MAX TEMPERATURE
BLUE	BU				MIN TEMPERATURE
BROWN	BN				AVG H24 MAX TEMPERATURE
GREEN	GN				MAX RELATIVE HUMIDITY
GREY	GY				ALTITUDE ABOVE SEA LEVEL
ORANGE	OG				DEGREE OF POLLUTION
PINK	PK				EMC ENVIRONMENT
RED	RD				
VIOLET	VT				
WHITE	WH				
YELLOW	YL				
GREEN-YELLOW	YG				
				STANDARDS	IEC EN 60204-1
					IEC EN 61439-1
					
					ISO 9001

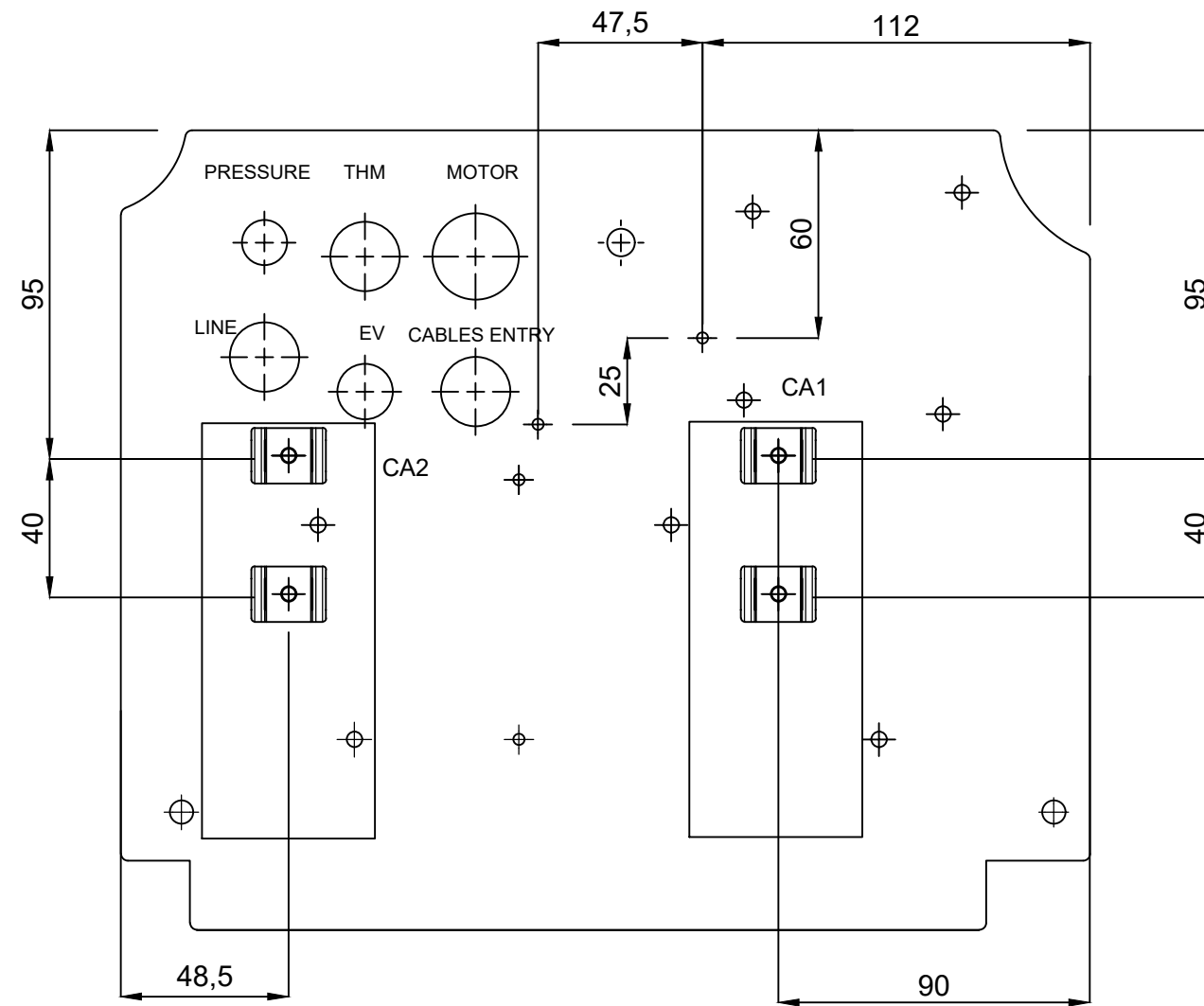
Date	20/11/2023	 Via Palazzon, 70 36051 - Creazzo VI ITALY	Title	GENERAL DATA	Plant	COMPACT SMART 2 - 3kW 230V 1ph 50Hz Ktronic 8			
Desig.	PA		Project Nr.	034444	Drawing	UTE_034444_REV.00.dwg			
Check			Sheet	2	Of	12			
Rev.	Description	Date	Name	Appr.		Next	3		

Sheet	Title
1	COVER PAGE
2	GENERAL DATA
3	SHEET LIST
51	TOP VIEW LAYOUT
52	BOTTOM VIEW LAYOUT
101	INLET LINE
102	COMPRESSOR MOTOR
103	ALARMS CHECK
104	KTRONIC 8 CONNECTORS
105	KTRONIC 8 CONTROL UNIT
106	KTRONIC 8 CONTROL UNIT
107	SOLENOID VALVES

				Date	20/11/2023	 Via Palazzon, 70 36051 - Creazzo VI ITALY	Title SHEET LIST	Plant COMPACT SMART 2 - 3kW 230V 1ph 50Hz Ktronic 8		
			Desig.	PA						
			Check							
Rev.	Description	Date	Name	Appr.					Project Nr. 034444	Drawing UTE_034444_REV.00.dwg
Next 51										



				Date	20/11/2023	 Via Palazzon, 70 36051 - Creazzo VI ITALY	Title		Plant		
				Desig.	PA		TOP VIEW LAYOUT		COMPACK SMART 2 - 3kW 230V 1ph 50Hz Ktronic 8		
				Check					Project Nr.	Drawing	Sheet
Rev.	Description	Date	Name	Appr.				034444	UTE_034444_REV.00.dwg	Next	52



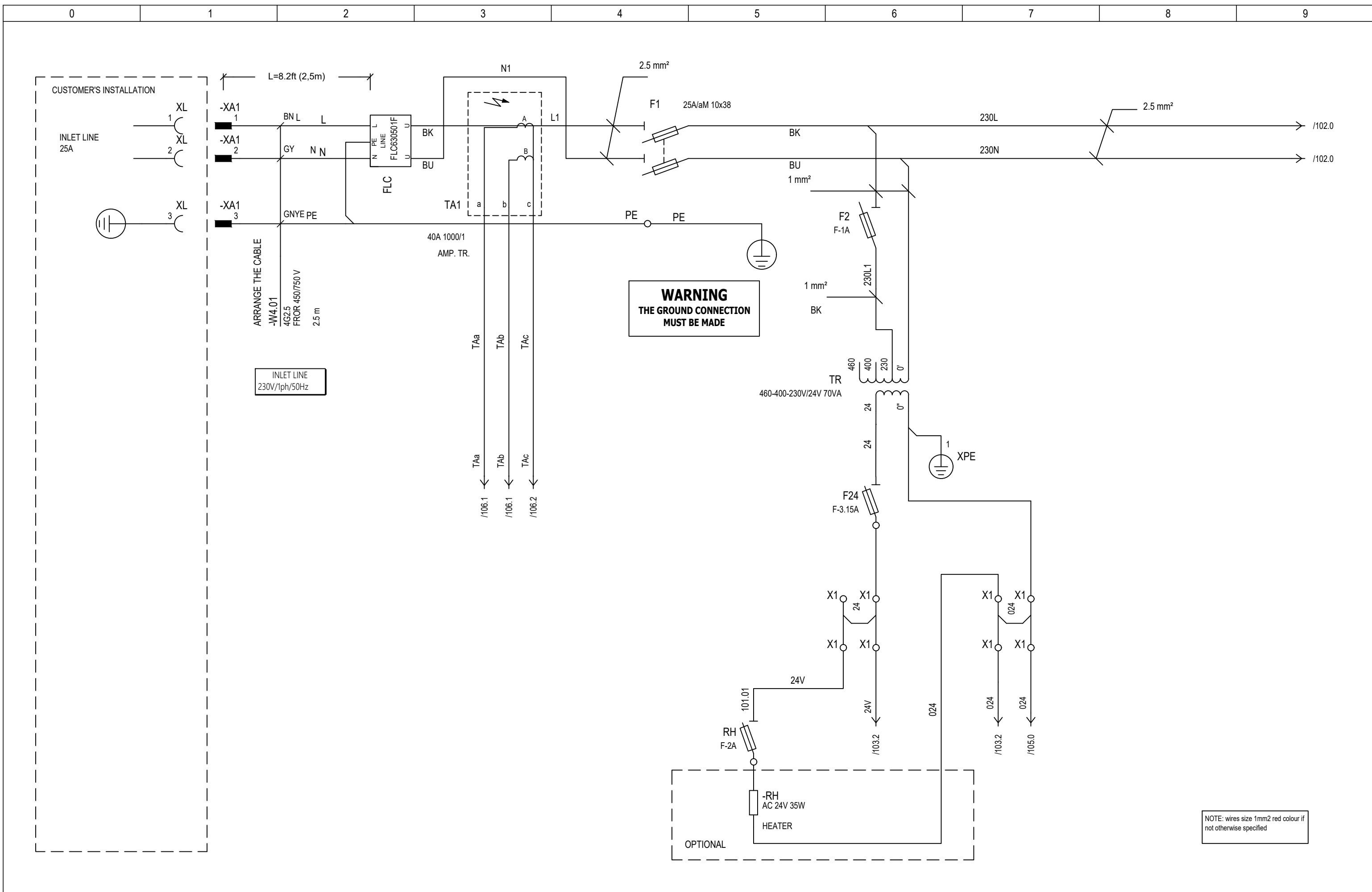
				Date	20/11/2023
				Desig.	PA
				Check	
Rev.	Description	Date	Name	Appr.	



Title
 BOTTOM VIEW LAYOUT

Plant	COMPACK SMART 2 - 3kW 230V 1ph 50Hz Ktronic 8	
Project Nr.	034444	Drawing
		UTE_034444_REV.00.dwg

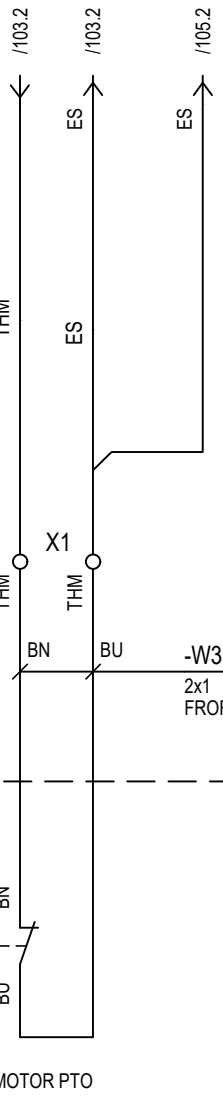
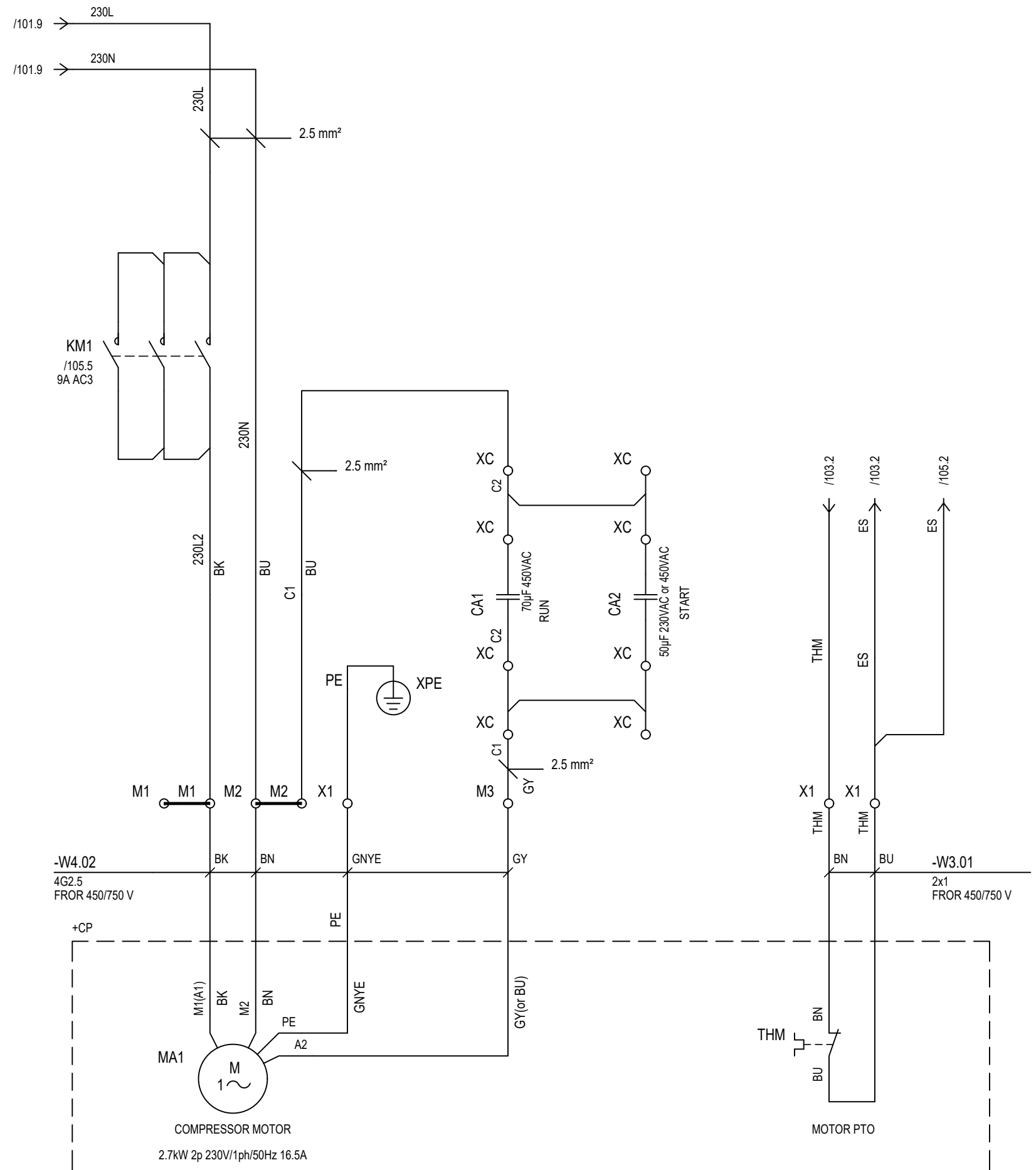
Sheet	52	Of	12
Next	101		



WARNING
THE GROUND CONNECTION
MUST BE MADE

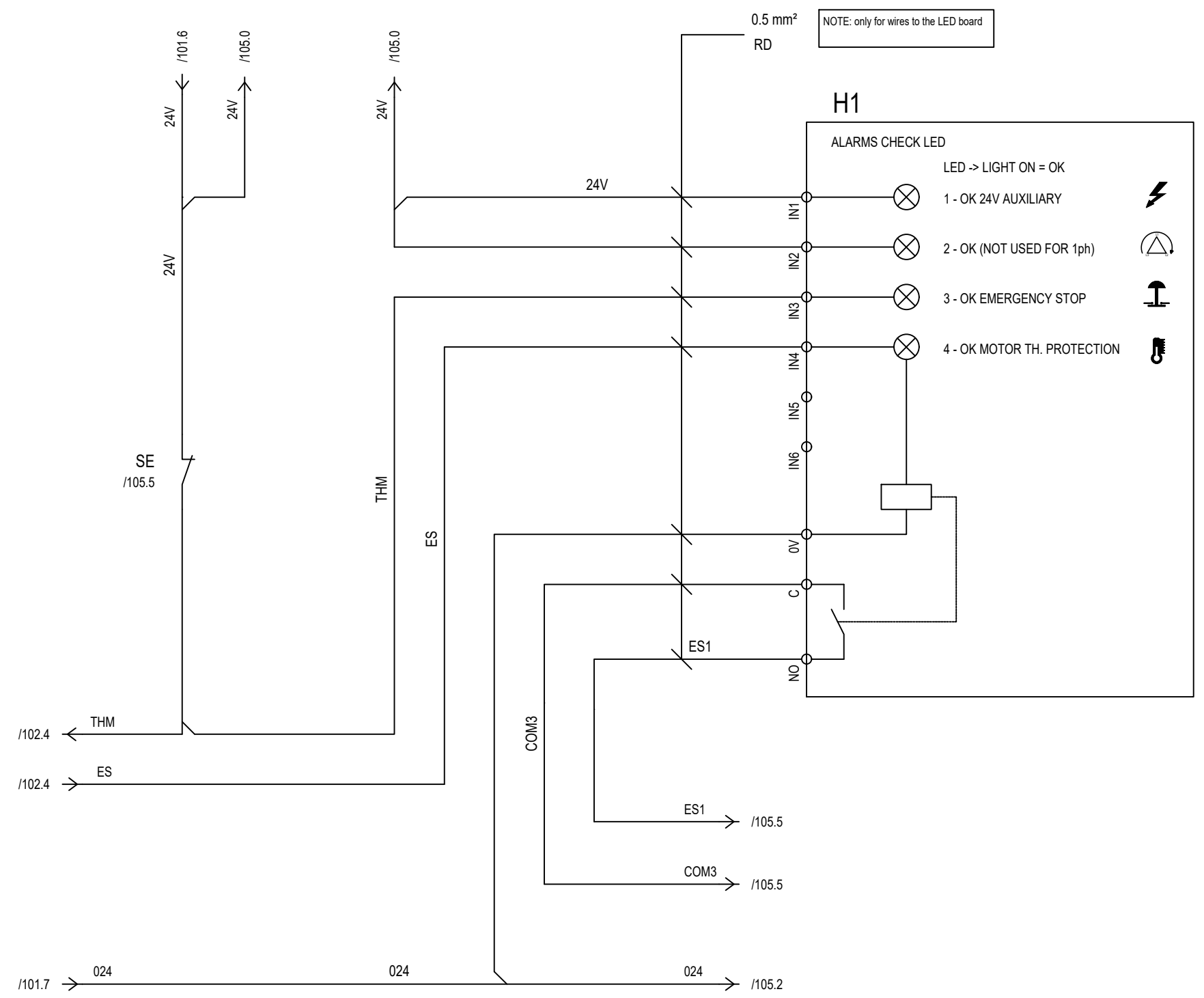
NOTE: wires size 1mm2 red colour if
not otherwise specified

				Date	20/11/2023	 Via Palazzon, 70 36051 - Creazzo VI ITALY	Title	INLET LINE	Plant	COMPACK SMART 2 - 3kW 230V 1ph 50Hz Ktronic 8		
				Desig.	PA		Project Nr.	034444	Drawing	UTE_034444_REV.00.dwg		
Rev.	Description	Date	Name	Appr.			Sheet	101	Of	12		
						Next	102					



NOTE: wires size 1mm2 red colour if not otherwise specified

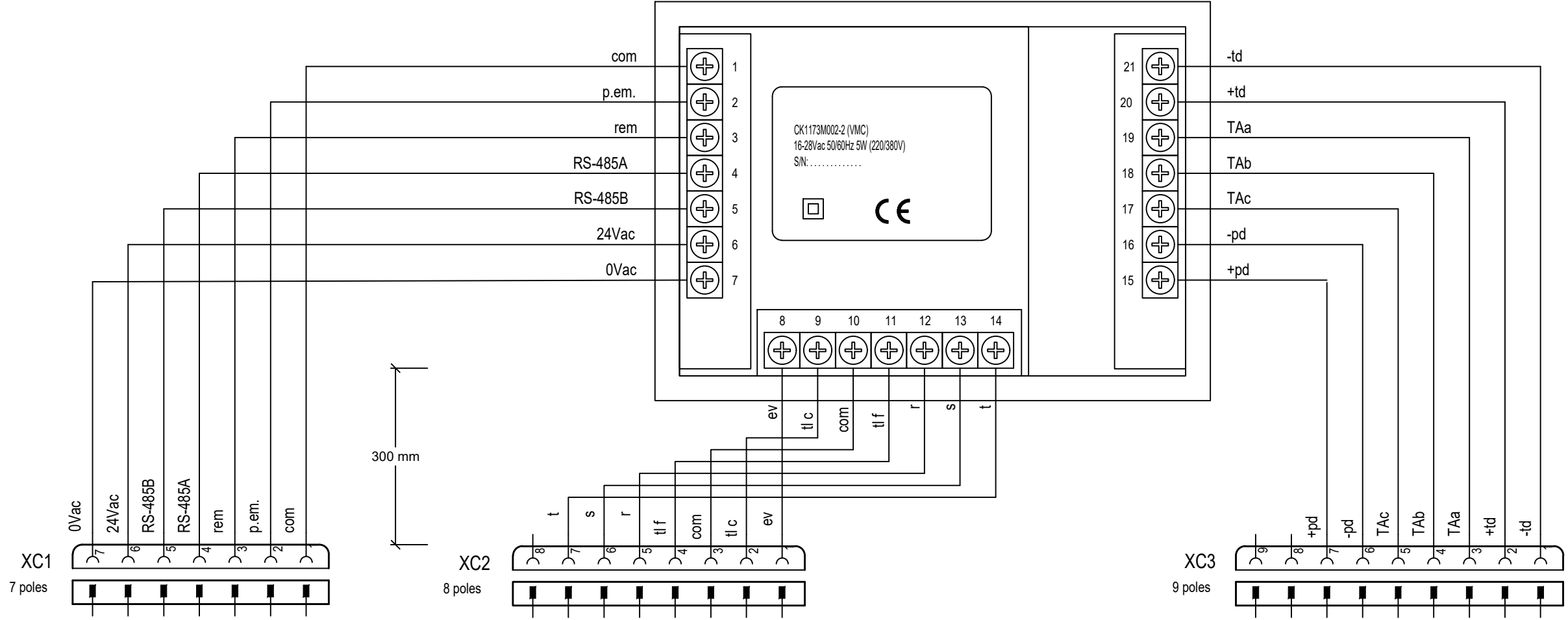
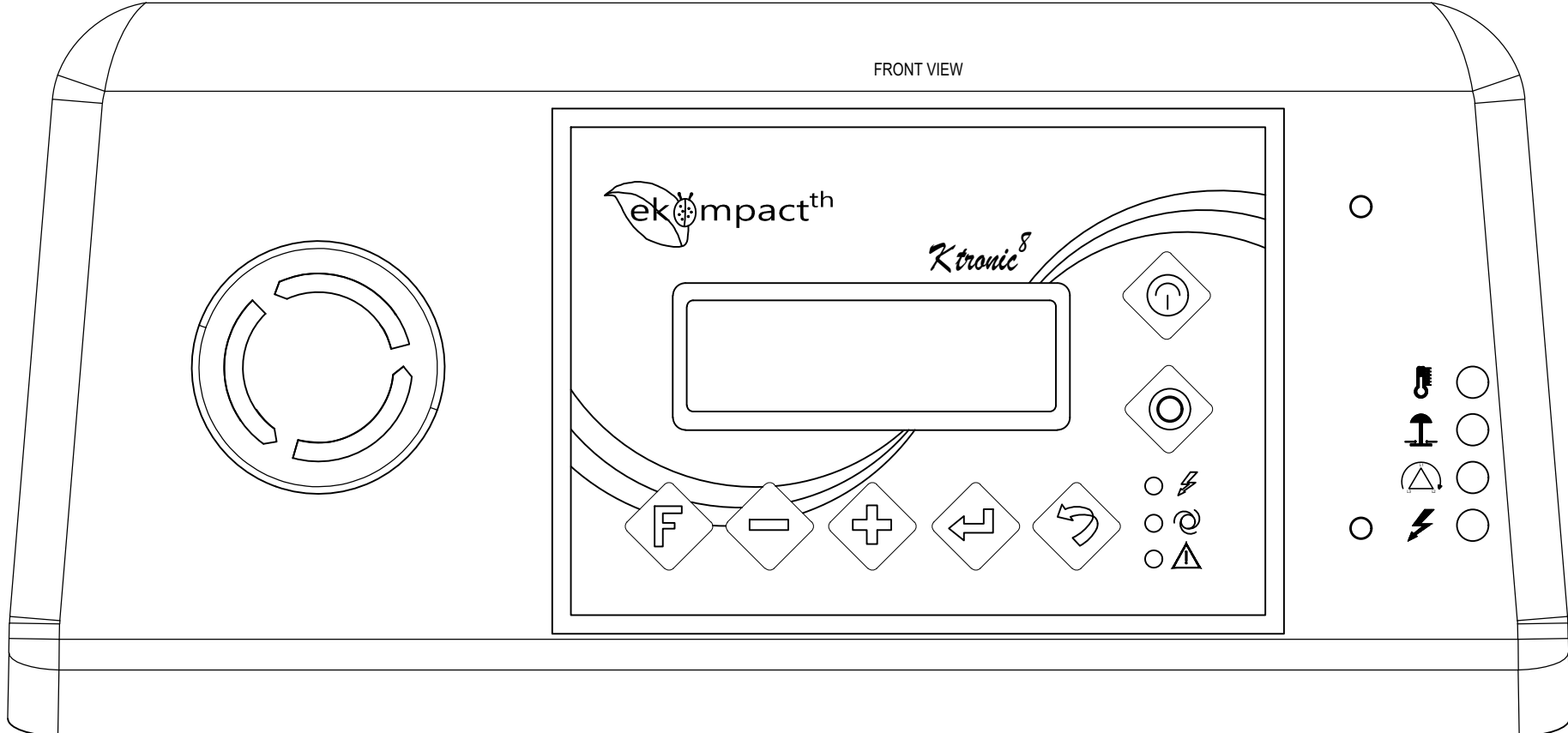
		Date	20/11/2023		 Via Palazzon, 70 36051 - Creazzo VI ITALY	Title		Plant		
		Desig.	PA			COMPRESSOR MOTOR		COMPACK SMART 2 - 3kW 230V 1ph 50Hz Ktronic 8		
		Check				Project Nr.	Drawing		Sheet 102 Of 12	
Rev.	Description	Date	Name	Appr.			034444	UTE_034444_REV.00.dwg		Next 103



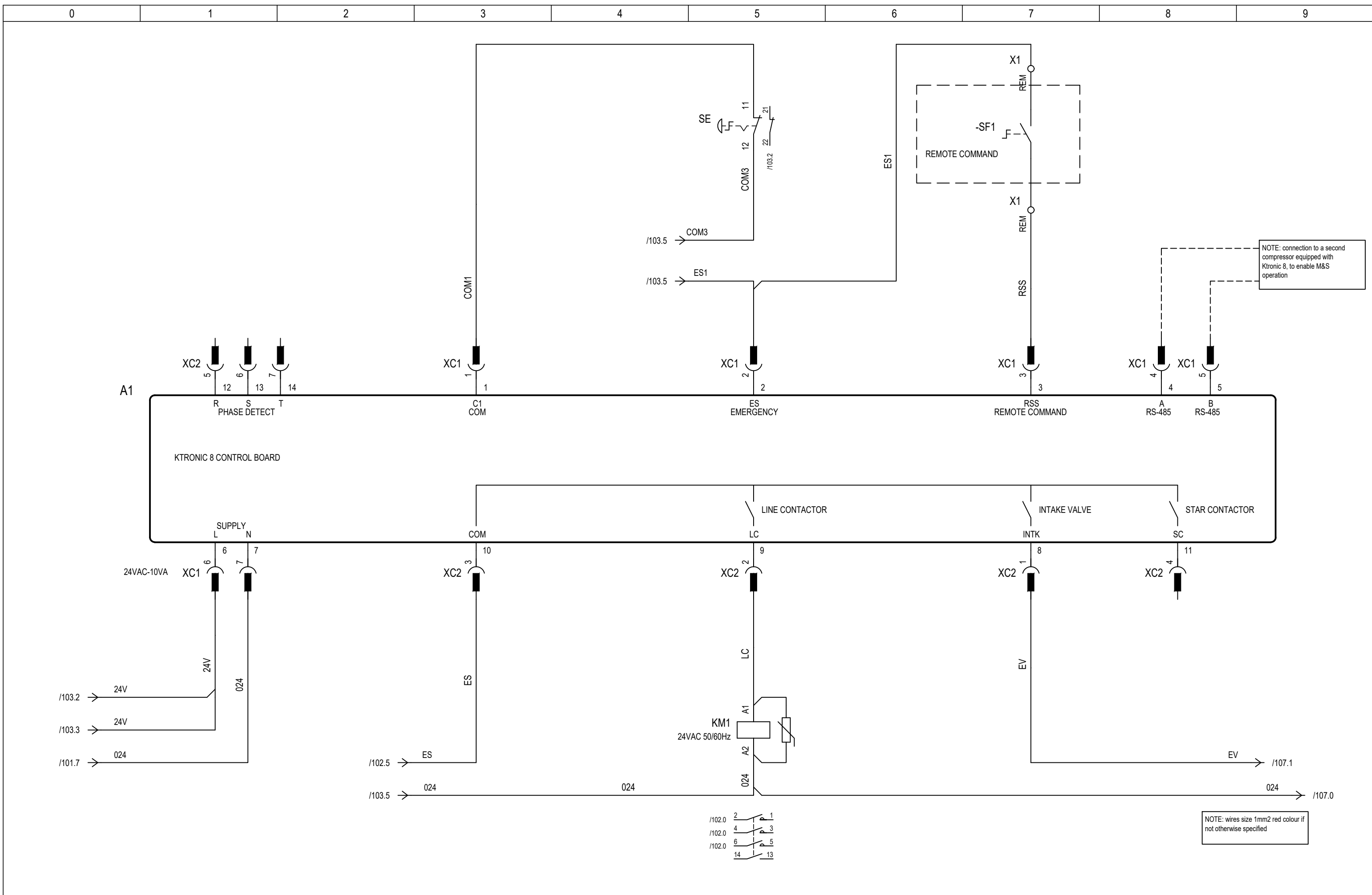
NOTE: only for wires to the LED board

NOTE: wires size 1mm2 red colour if not otherwise specified

Date	20/11/2023	 Via Palazzon, 70 36051 - Creazzo VI ITALY	Title		Plant		Sheet 103 Of 12 Next 104
Desig.	PA		ALARMS CHECK		COMPACK SMART 2 - 3kW 230V 1ph 50Hz Ktronic 8		
Check			Project Nr.		Drawing		
Rev.	Description	Date	Name	Appr.	034444	UTE_034444_REV.00.dwg	



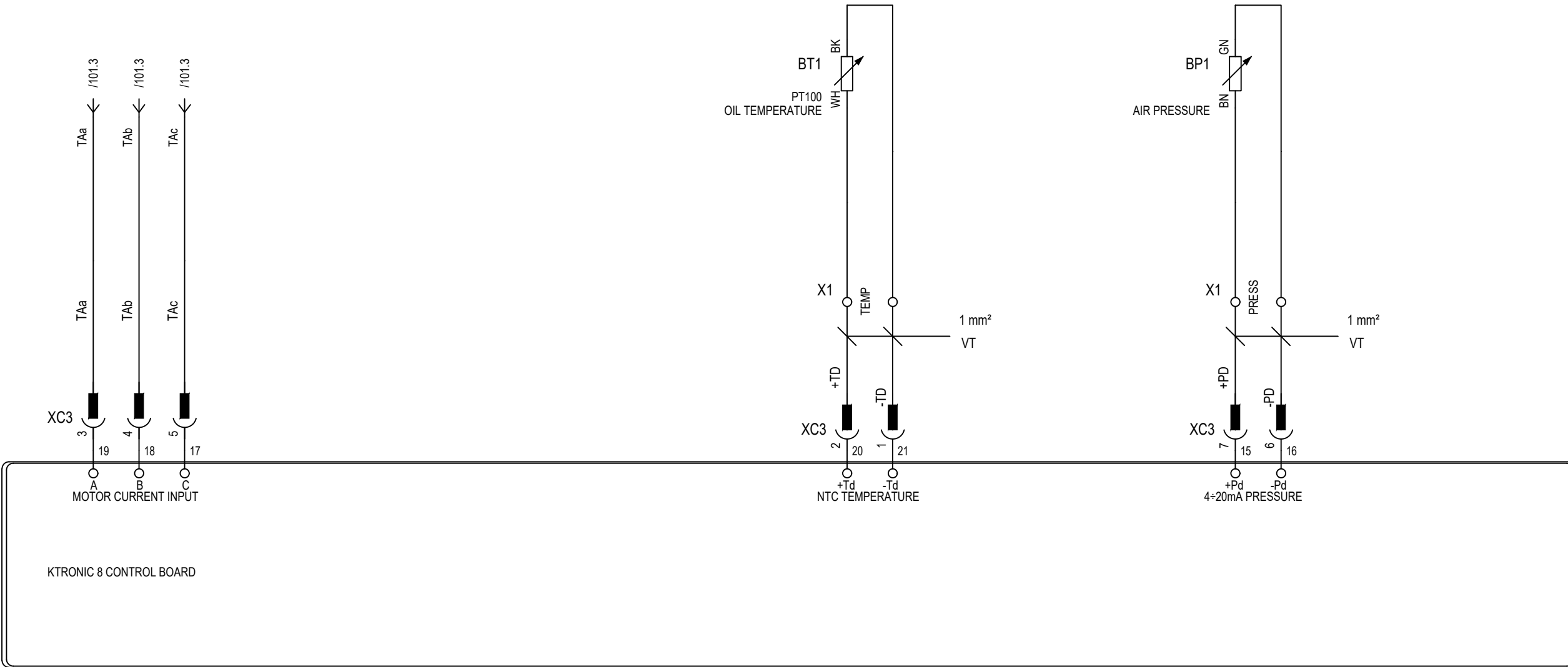
Date	20/11/2023		Title		Plant		
Desig.	PA		KTRONIC 8 CONNECTORS		COMPACK SMART 2 - 3kW 230V 1ph 50Hz Ktronic 8		
Check					Project Nr.	Drawing	
Rev.	Description	Date	Name	Appr.	034444	UTE_034444_REV.00.dwg	Sheet 104 Of 12
							Next 105



Date	20/11/2023	 Via Palazzon, 70 36051 - Creazzo VI ITALY	Title		Plant		Sheet 105 Of 12 Next 106
Desig.	PA		KTRONIC 8 CONTROL UNIT		COMPACK SMART 2 - 3kW 230V 1ph 50Hz Ktronic 8		
Check			Project Nr.		Drawing		
Rev.	Description	Date	Name	Appr.	034444	UTE_034444_REV.00.dwg	

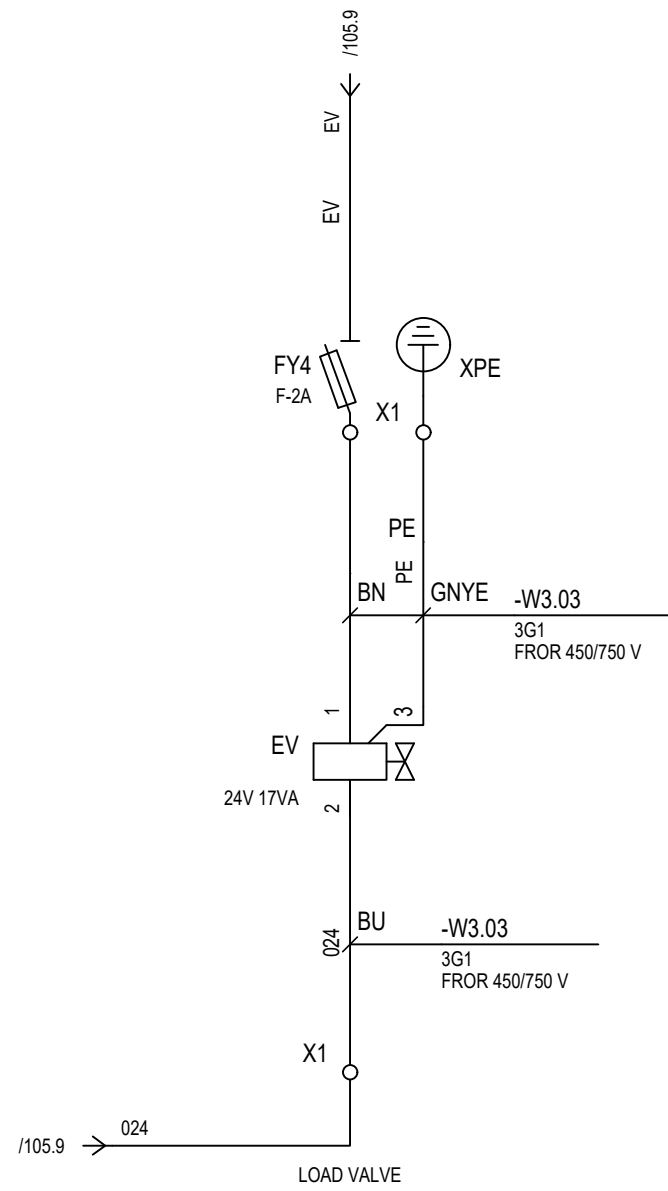
THE PROPERTY OF THIS DRAWING IS RESERVED AND SUBJECT TO LAW, DISTRIBUTION AND REPRODUCTION TO OTHER PARTIES IS PROHIBITED.

A1
/105.1



NOTE: wires size 1mm2 red colour if not otherwise specified

				Date	20/11/2023	 Via Palazzon, 70 36051 - Creazzo VI ITALY	Title KTRONIC 8 CONTROL UNIT	Plant		COMPACK SMART 2 - 3kW 230V 1ph 50Hz Ktronic 8		
				Desig.	PA			Project Nr.	034444	Drawing	UTE_034444_REV.00.dwg	
				Check				Sheet	106	Of	12	
Rev.	Description	Date	Name	Appr.					Next	107		



NOTE: wires size 1mm2 red colour if not otherwise specified

				Date	20/11/2023	 Via Palazzon, 70 36051 - Creazzo VI ITALY	Title		Plant		
				Desig.	PA		SOLENOID VALVES		COMPACK SMART 2 - 3kW 230V 1ph 50Hz Ktronic 8		
				Check					Project Nr.	Drawing	Sheet
Rev.	Description	Date	Name	Appr.				034444	UTE_034444_REV.00.dwg	Next	-