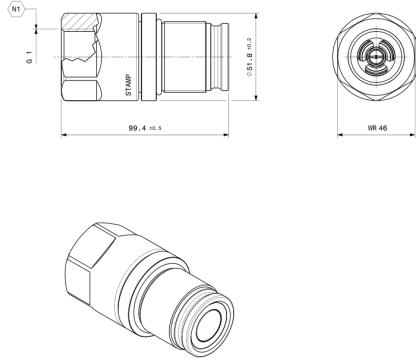


F VT17ZN 1 BSP RoT-lock®

Codice articolo: 812400000 / Female



Body size 3/4"	Valving style Flat face
Interchange Stucchi profile VT	Sealing Nitrile NBR
Connection system Screw	Disconnection system Unscrew
Material Carbon steel	Treatment Zn-Ni
Locking mechanism Screw to connect + Automatic lock sleeve	Disconnectable under pressure Yes
Thread FEMALE THREAD BSPP (ISO 1179-1)	Connectable under residual pressure Pressure in both sides
Temperature -20 / +100 °C; -4 / +212 °F	Applications Earth moving, Vehicles, Oil & Gas

Performance

METRIC

Max. Flow suggested (l/min)	200
Max. Operating pressure - coupled (Mpa)	50
Burst pressure - coupled (mpa)	150
Burst pressure - uncoupled (mpa)	105
Connect force (N)	2
Disconnect force (N)	1.4
Spillage (ml)	0.02
Max. residual pressure during connection (in the male, female to drain) (Mpa)	25
Max. residual pressure during connection (in the female, male to drain) (Mpa)	25
Max. residual pressure during connection (in male and female) (Mpa)	15
Max. residual pressure during disconnection (Mpa)	15

Dimensions

METRIC

Port (A)	1"
Overall length M+F (mm)	210,3
Length (mm)	99,4
Max. diameter (mm)	51,8
Weight (kg)	0,96

Related products

Product code	Type	Product name
812400001	Maschio	M VT17ZN 1 BSP RoT-lock®