

Description

For starting, controlling and stopping the working fluid between the generator of pressure flow, the consumers and the Tank.

Specifications

1. Valve monoblock	
2. Mounting	2 bolts M8
3.Ports	internal thread
4.Ambient temperature	-40 – +60 C
5.Pressure medium	mineral oil
6.Viscosity	12...800 mm ² /s 20...100 mm ² /s recommended range
7.Fluid temperature	-30 – +80 C
8.Filtration	oil contaminations class 10 to NAS 1683 achived with filter 75
9.Max. operating pressure	P = 250 bar A, B = 300 bar T < 50 bar
10 Internal leakage	7 ccm/min at 100 bar viscosity 46 mm ² /s
11.Nominal flow	40 l/min (operating diagram)
12.Spool stroke	+– 6 mm
13.Actuating force	< 200 N in spool axis

directional control valve Z50

Left hand configuration – standard

Right hand configuration

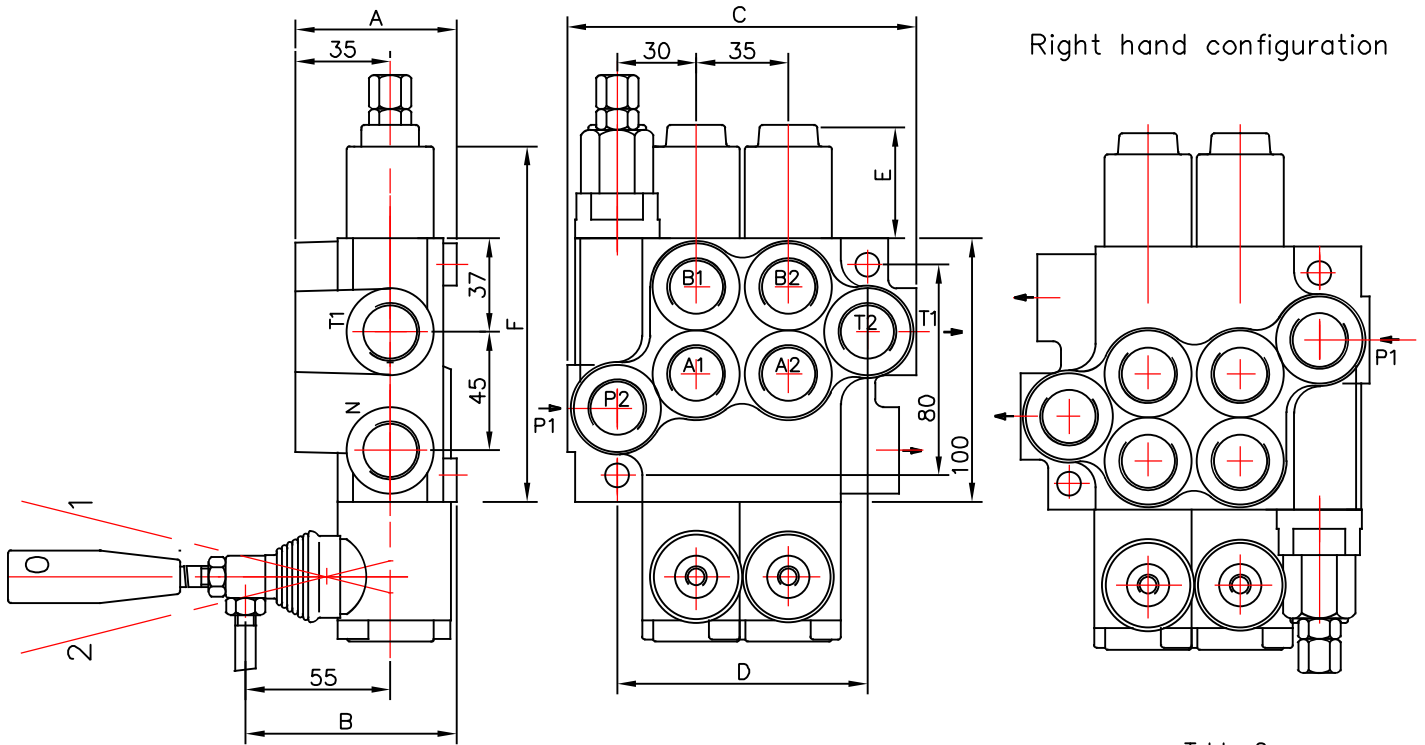


Table 1

	A	B	C	D	P1	P2	T1	T2
01Z50	60	80	85	60	+	-	+	-
02Z50	60	80	129	97	+	+	+	+
03Z50	60	80	164	132	+	+	+	+
04Z50	60	80	199	167	+	+	+	+
05Z50	60	80	234	202	+	+	+	+
06Z50	60	80	269	237	+	+	+	+
07Z50	60	80	304	272	+	+	+	+

Table 2

spool control	E	F
1; 4; 5; 6; 7; 8; 9; 10; 11;	40	193
2; 3;	72	225
16	+	+

Table 3

code	spools
01	1
02	2
03	3

ets.

0 2 Z50 R - A 1 A 1 G KZ1 T H E C2 11
 block with common check valve _____
 number of spools _____
 directional control valve type ... _____
 inlet high pressure – right _____
 relief valve – standard setting 175; without indication
 (4) Spring for 160 to 315 bar; standard setting 220 bar; red;
 (sxp) relief valve blanking plug; _____
 first spool distribution type _____
 spool control/detend and ets./ _____
 second spool distribution type _____
 spool control/detend and estr./ _____
 ports /treads/ _____
 general operation feature _____
 with "teton" _____
 operation feature /pneumatic, .../ _____
 with electric switch _____
 high pressure carry over _____
 connection ports in use _____

directional control valve Z50

INLET RELIEF OPTIONS

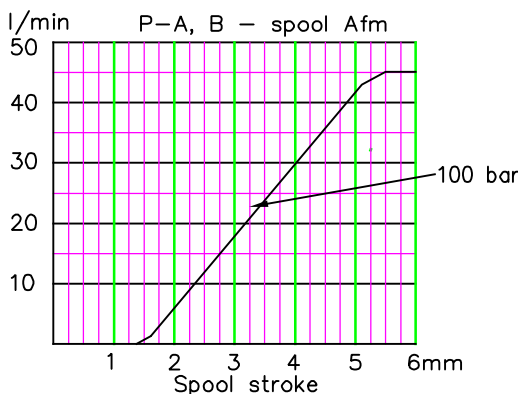
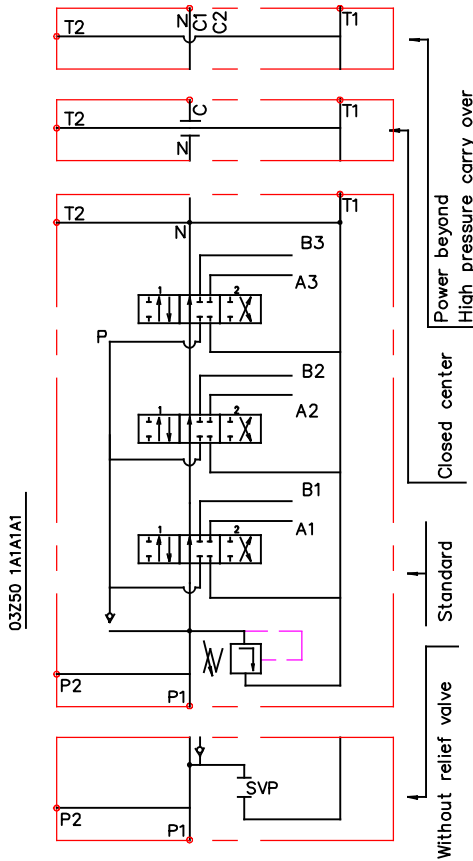
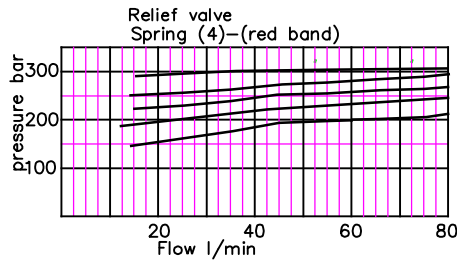
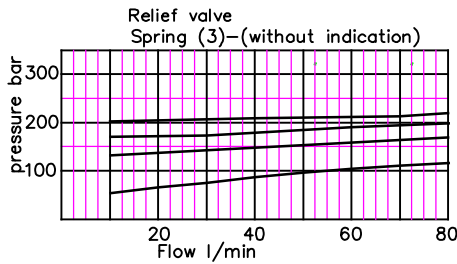


Table 4

code	way of distribution
1	parallel

Table 5

code	spool type
A	
B	
C	
D	
E	
F	
G	
H	
M	
N	
O	
P	
Q	
R	
S	
T	
* K	
** L	

Table 6

code	spool control
1	
2	
3	
4	
5	
6	
7	
8	
9	
10	
11	
* 15	
* 16	
** 12	
** 13	

only for right hand configuration
*** Spool Afm – fine metering

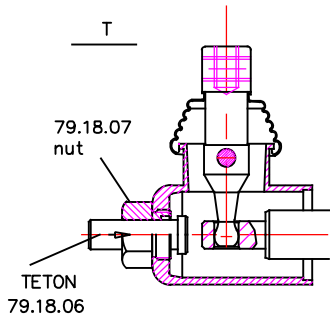
Table 7

code	incorporated microswitch
E	mikroswitch type Omron-V 165 I C5

Table 8

code	operation feature
P	ports NPTF 1/8-27 on-off pneumatic control; pn = 5-10 bar ;
H	ports G 1/4 on-off hydraulic control ; pn = 5 - 20 bar

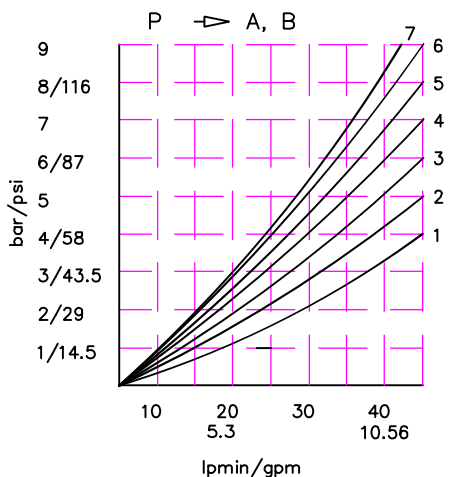
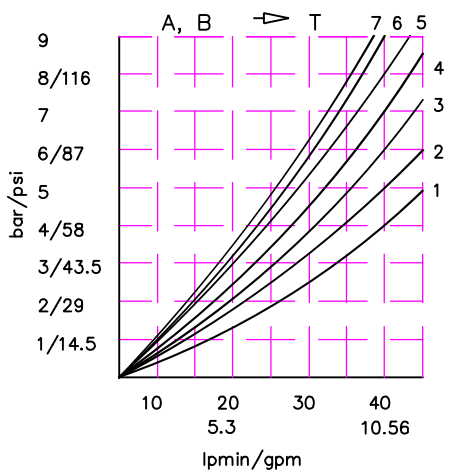
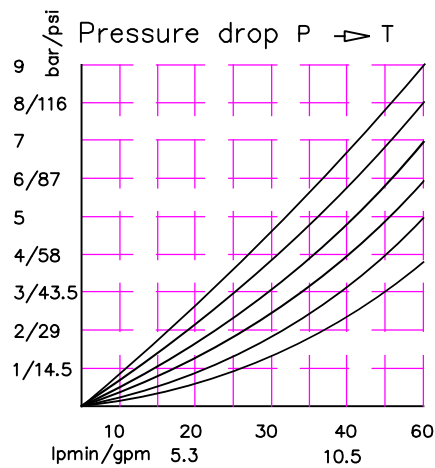
directional control valve Z50



Z50

Table 9

code	ports (threads)				
	P	A ; B	T	N	C2
M	M22x1.5	M18x1.5	M22x1.5	M22x1.5	M22x1.5
G	G1/2	G3/8	G1/2	G1/2	G1/2
S	7/8-14UNF	3/4-16UNF	7/8-14UNF	7/8-14UNF	7/8-14UNF



kind of hand control

Table 10

code	feature	code	feature	code	feature
KZ		KY		KI	
KZ1		KY1		KI1	
KZ0		KY0		KI0	
KZ01		KY01		KI01	
-	without hand control				

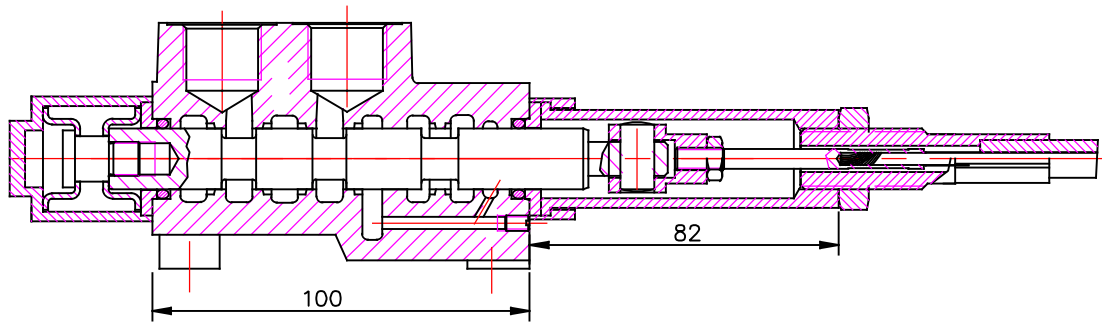
Table 11

code	feature	diagram
C	"N" closed center	
C2	"N" part for power beyond sleeve (carry over)	
-	"N" without part for pressure carry over	
X	"N" power beyond ever to tank	

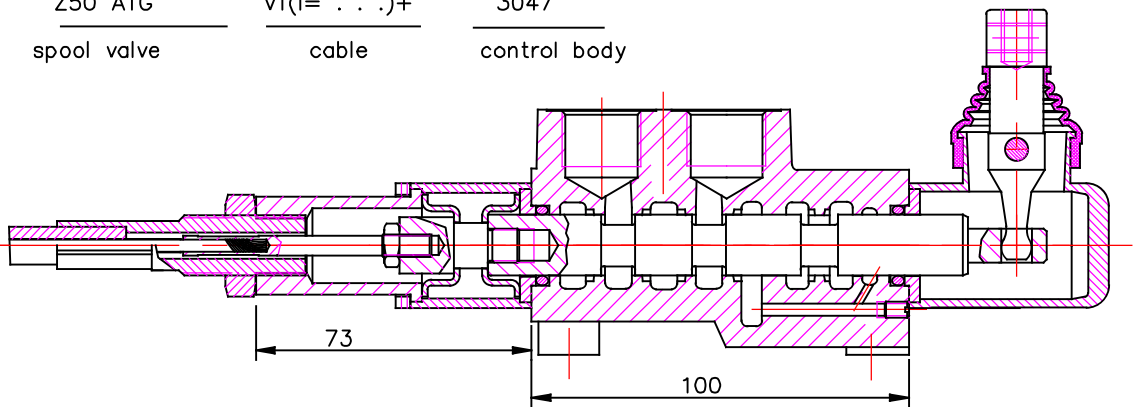
Table 12

code	used connection ports
11	P1 ; T1
12	P1 ; T2
21	P2 ; T1
22	P2 ; T2

REMOTE CONTROLS



Z50 A1G spool valve V1(l= . . .)+ cable 3047 control body



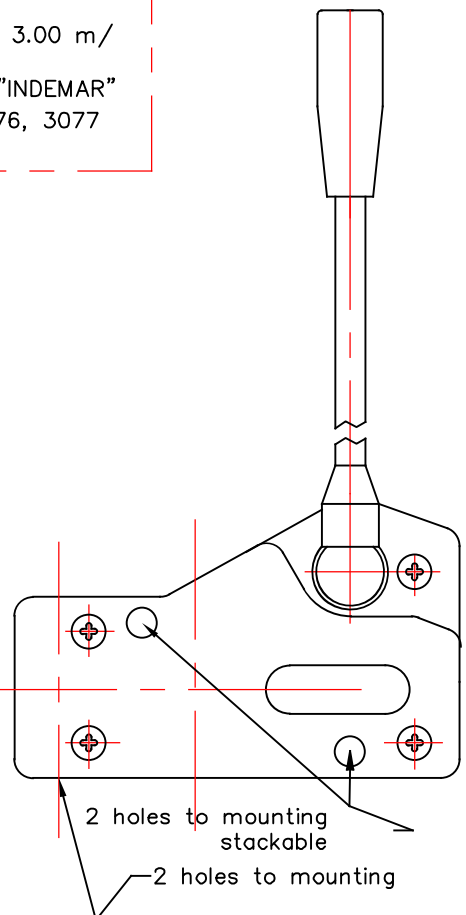
Z50 A1GKZ spool valve V2(l= . . .)+ cable 3047 control body

Cable "INDEMAR" Cod. IT 3056 /l=1.00; 1.50; 2.00; 2.50; 3.00 m/

+control body "INDEMAR" code 3047, 3076, 3077

Technical specifications			
	3047	3076	3077
Stroke	13+13 mm	13+13 mm	13+13 mm
Max. load	45 kg	45 kg	45 kg
Level ratio	10:1	10:1	10:1
Lock in neutral	No	No	Yes
Antireverse lock	No	Yes	No
Body colour	Black	Black	Black
Cables type	Heavy Duty	Heavy Duty	Heavy Duty
Operating temperature	-40/+80C	-40/+80C	-40/+80C

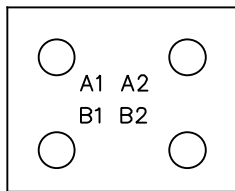
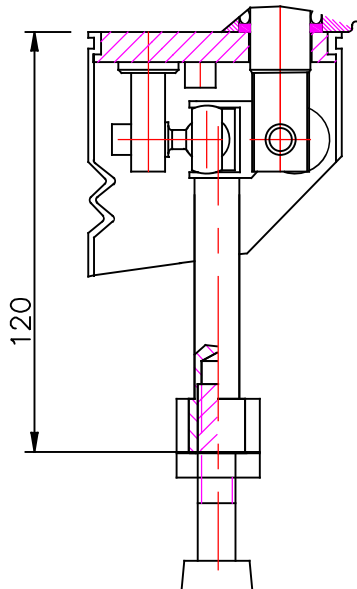
High solidity controls for easy mounting on every type of distributor. They can be mounted stand alone or packed together. They use push-pull heavy duty cables that provide a positive smooth operating lever and are manufactured in three different models to meet different needs of Clients.



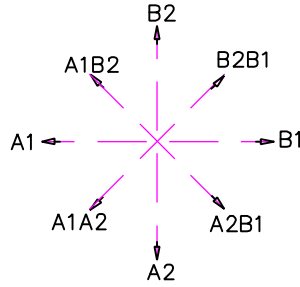
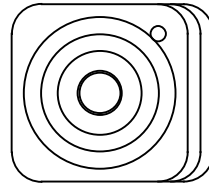
directional control valve 750

JOYSTICK "+"

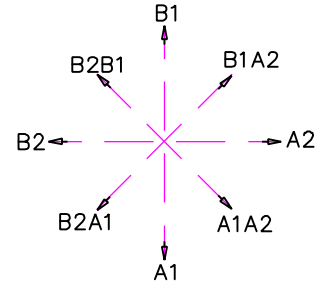
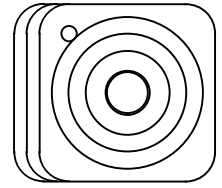
This control gives the possibility to operate, at the same time two spools with a "+" movement.



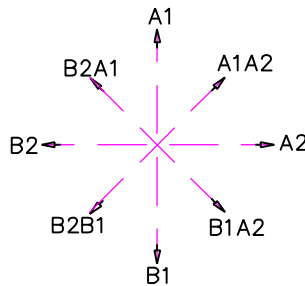
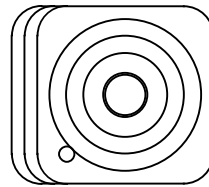
standard version 1



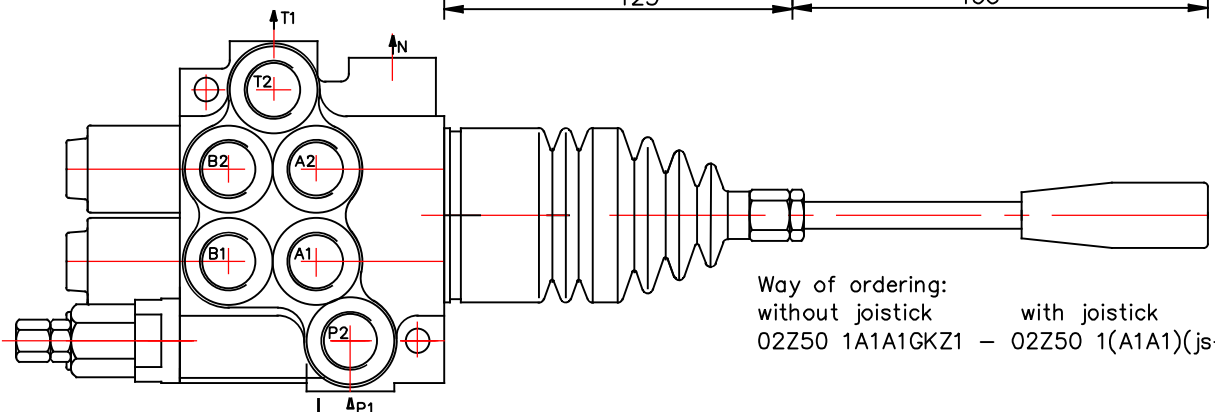
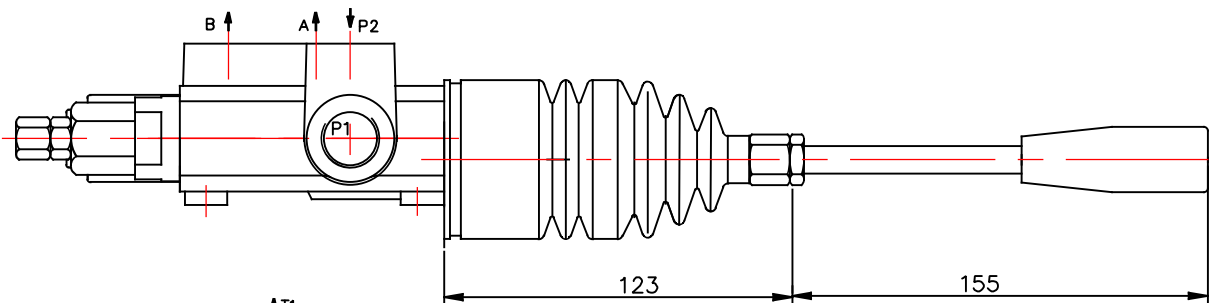
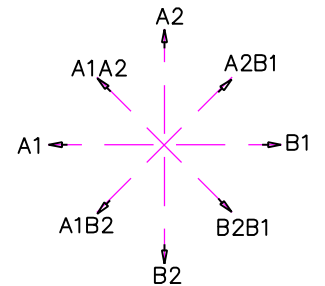
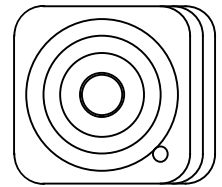
standard version 2



standard version 3



standard version 4



Way of ordering:
 without joystick with joystick
 02Z50 1A1A1GKZ1 - 02Z50 1(A1A1)(js+3)G