

SMALL

Valvole di ritegno di piccolo diametro / Small diameter check valves



Modello / Model
SMALL

Materiale / Material
Aisi 304 - 316

Tenuta / Seal
NBR, FPM o PTFE

DN
8 - 15

PN
16

Caratteristiche tecniche / Construction features


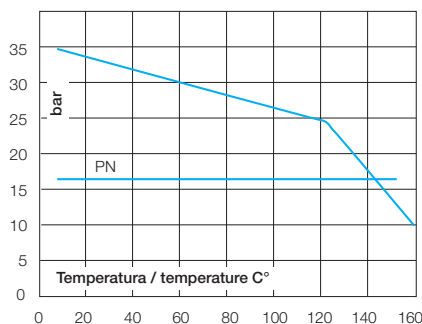
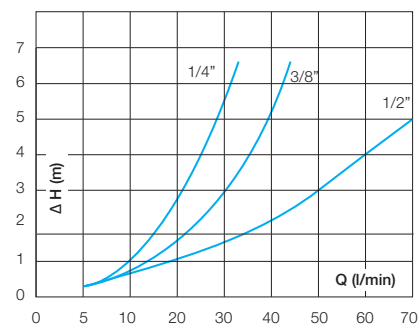
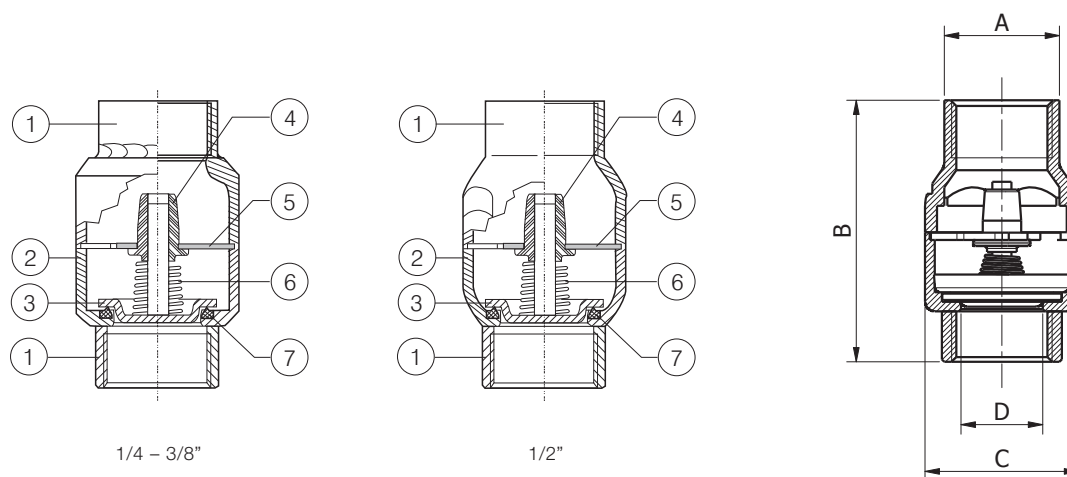
- **Lavorazione: acciaio inox stampato** /
Manufacturing process: pressed stainless steel
- **Trattamento superficiale sgrassaggio, decapaggio ed elettrolucidatura** /
Surface treatment degreasing, pickling and electropolishing
- **Tenuta / Seal ring**
NBR, FPM, PTFE
- **Connessioni filettate femmina secondo** /
Threaded ends female according to
UNI ISO 228/1
- **Saldatura a TIG senza apporto di materiale**
TIG weldings without additional material
- **Pressione di apertura** / Opening pressure
Min. 0,025 – Max. 0,035 bar
- **Test idraulico di tenuta guarnizioni** /
Hydraulic test on the seal rings
0.2 bar
- **Pressione nominale di esercizio** /
Nominal working pressure
16 bar
- **Temperatura di esercizio** / Working
temperature
-25°C – +90°C NBR
-20°C – +150°C FPM
-20°C – +200°C PTFE
- **Certificazioni** / Approvals
 NSF/ANSI 61
(solo versioni Aisi 316 FPM /
only Aisi 316 FPM types)

Diagramma pressione temperatura / Pressure temperature diagram



Perdite di carico / Friction losses diagrams





Componenti e materiali / Components and materials

	Versione Aisi 304 Version Aisi 304	Versione Aisi 316 Version Aisi 316
1 Manicotti filettati / Threaded ends	1.4301 / 1.4304 EN 10088	1.4401 / 1.4404 EN 10088
2 Corpo / Body	1.4301 / 1.4304 EN 10088	1.4401 / 1.4404 EN 10088
3 Otturatore / Flow control disc	1.4301 / 1.4304 EN 10088	1.4401 / 1.4404 EN 10088
4 Boccola di guida / Guide bush	PTFE	PTFE
5 Supporto boccola / Bush support	1.4301 / 1.4304 EN 10088	1.4401 / 1.4404 EN 10088
6 Molla / Spring	1.4301 / 1.4304 EN 10088	1.4401 / 1.4404 EN 10088
7 Guarnizione / Seal ring	NBR, FPM	FPM, PTFE

Dimensioni e pesi / Dimensions and weights

Codice Code	Misura Size	Materiale Material	Tenuta Seal	DN	PN	Peso in gr. Weight in gr.	KV m ³ /h	Dimensioni in mm Dimensions in mm			
								A	B	C	D
900101	1/4"	Aisi 304	NBR	08	16	105	2,5	20	56	32	1/4" F
900108	3/8"			10	16	90	3,2	20	56	32	3/8" F
900115	1/2"			15	16	90	6,0	25	56	32	1/2" F
900102	1/4"	Aisi 304	FPM	08	16	105	2,5	20	56	32	1/4" F
900109	3/8"			10	16	90	3,2	20	56	32	3/8" F
900116	1/2"			15	16	90	6,0	25	56	32	1/2" F
900104	1/4"	Aisi 316	FPM	08	16	105	2,5	20	56	32	1/4" F
900111	3/8"			10	16	90	3,2	20	56	32	3/8" F
900118	1/2"			15	16	90	6,0	25	56	32	1/2" F
900107	1/4"	Aisi 316	PTFE	08	16	101	2,5	20	56	32	1/4" F
900114	3/8"			10	16	95	3,2	20	56	32	3/8" F
900126	1/2"			15	16	95	6,0	25	56	32	1/2" F

Modello / Model
SMALL / OR

Materiale / Material
Aisi 304 - 316

Tenuta / Seal
FPM

DN
8 – 15

PN
16



Caratteristiche tecniche / Construction features

- **Adatta ad utilizzo con aria compressa o vuoto in applicazioni non gravose** / For use with compressed air or vacuum in low impact applications
- **Otturatore: acciaio inossidabile Aisi 316 con saldatura rinforzata tra perno e disco** / Flow control disc: stainless steel Aisi 316 with reinforced welding between guiding pin and disc
- **Temperatura di esercizio** / Working temperature
-20°C – +150°C

- **Certificazioni** / Approvals



NSF/ANSI 61
(solo versione Aisi 316 /
only Aisi 316 type)

Dimensioni e pesi / Dimensions and weights

Codice Code	Misura Size	Materiale Material	DN	PN	Peso in gr. Weight in gr.	KV m ³ /h	Dimensioni in mm Dimensions in mm			
							A	B	C	D
900102R	1/4"	Aisi 304	08	16	105	2,5	20	56	32	1/4" F
900109R	3/8"		10	16	90	3,2	20	56	32	3/8" F
900124	1/2"		15	16	90	6,0	25	56	32	1/2" F
900104OR	1/4"	Aisi 316	08	16	105	2,5	20	56	32	1/4" F
900111OR	3/8"		10	16	90	3,2	20	56	32	3/8" F
900118R	1/2"		15	16	90	6,0	25	56	32	1/2" F

Modello / Model
SMALL / DW

Materiale / Material
Aisi 304 - 316

Tenuta / Seal
EPDM

DN
8 - 15

PN
16



Caratteristiche tecniche / Construction features

- **Per acqua potabile** / For drinkable water
- **Conforme a** / In conformity with UNI EN 1074-3
- **Temperatura di esercizio** / Working temperature
-20°C – +110°C

- **Certificazioni** / Approvals



(solo versione Aisi 304 /
only Aisi 304 type)

Dimensioni e pesi / Dimensions and weights

Codice Code	Misura Size	Materiale Material	DN	PN	Peso in gr. Weight in gr.	KV m ³ /h	Dimensioni in mm Dimensions in mm			
							A	B	C	D
900103A	1/4"	Aisi 304	08	16	105	2,5	20	56	32	1/4" F
900110A	3/8"		10	16	90	3,2	20	56	32	3/8" F
900117A	1/2"		15	16	90	6,0	25	56	32	1/2" F
900106A	1/4"	Aisi 316	08	16	105	2,5	20	56	32	1/4" F
900112A	3/8"		10	16	90	3,2	20	56	32	3/8" F
900120A	1/2"		15	16	90	6,0	25	56	32	1/2" F

Modello / Model
SMALL / NPT

Materiale / Material
Aisi 316

Tenuta / Seal
FPM


DN
8 – 15

PN
16



Caratteristiche tecniche / Construction features

- **Adatta ad utilizzo con aria compressa o vuoto in applicazioni non gravose** / For use with compressed air or vacuum in low impact applications
- **Otturatore: acciaio inossidabile Aisi 316 con saldatura rinforzata tra perno e disco** / Flow control disc: stainless steel Aisi 316 with reinforced welding between guiding pin and disc
- **Temperatura di esercizio** / Working temperature
-20°C – +150°C

- **Filettatura** / Thread
NPT
- **Certificazioni** / Approvals
 NSF/ANSI 61

Dimensioni e pesi / Dimensions and weights

Codice Code	Misura Size	DN	PN	Peso in gr. Weight in gr.	KV m ³ /h	Dimensioni in mm Dimensions in mm			
						A	B	C	D
900104NPTR	1/4"	08	16	140	2,5	20	56	32	1/4" F
900111NPTR	3/8"	10	16	125	3,2	20	56	32	3/8" F
900118NPTR	1/2"	15	16	105	6,0	25	56	32	1/2" F

Modello / Model
SMALL / TYPE EA

Materiale / Material
Aisi 304

Tenuta / Seal
FPM

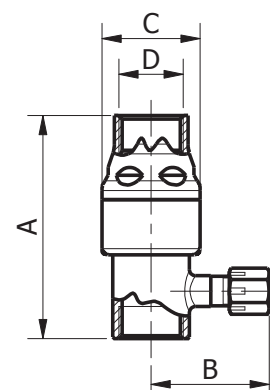
DN
15

PN
16



Caratteristiche tecniche / Construction features

- **Versione antinquinamento controllabile** / Antipollution checkable version
- **Conforme a** / In conformity with
UNI EN 1717 (tipo / type EA)
- **Foro di ispezione 1/8" gas maschio con tappo su lato aspirazione** / 1/8" male inspection hole with cap on suction side
- **Conessioni filettate femmina secondo** / Threaded ends female according to
UNI ISO 228/1
- **Temperatura di esercizio** / Working temperature
-20°C – +150°C



Dimensioni e pesi / Dimensions and weights

Codice Code	Misura Size	DN	PN	Peso in gr. Weight in gr.	KV m ³ /h	Dimensioni in mm Dimensions in mm			
						A	B	C	D
900116T	1/2"	15	16	130	6,0	71	40	32	1/2" F