

# LINE 042 1/4" | CARBON FILTERS

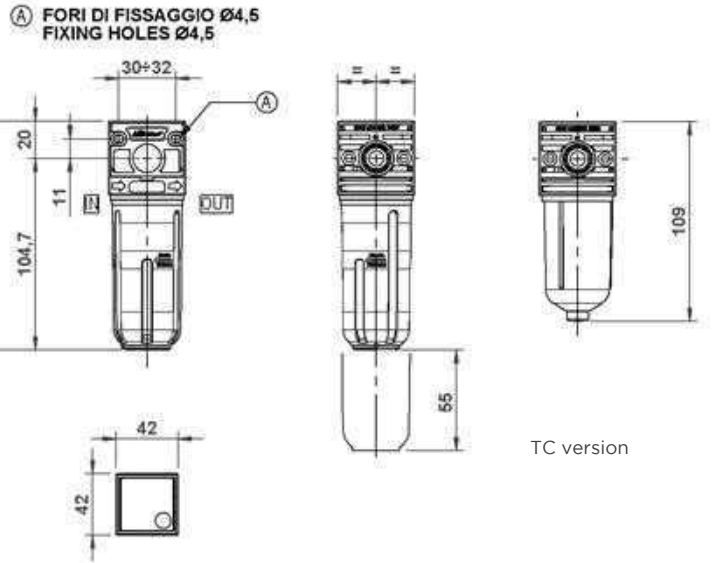
AIR PREPARATION

VALVES

CYLINDERS

FITTINGS

WATER PREPARATION



PE and TT version.

## GENERAL FEATURES

Aircomp activated carbon filter exploits the absorption properties of activated carbon in order to increase air purity and eliminate unpleasant smell in the air aimed at the industrial sector. The activated carbon filter, in order to guarantee its performance, needs to be associated with a coalescing filter, that should be preceded by a 5 Micron filter (F+MF+CF). It can be wall mounted through the holes prearranged on the body. Closed bowl (without drain) made from hardened polyamide, available in following configurations: TT = transparent; PE = outer guard; TC = short transparent.

## GENERAL TECHNICAL DATA

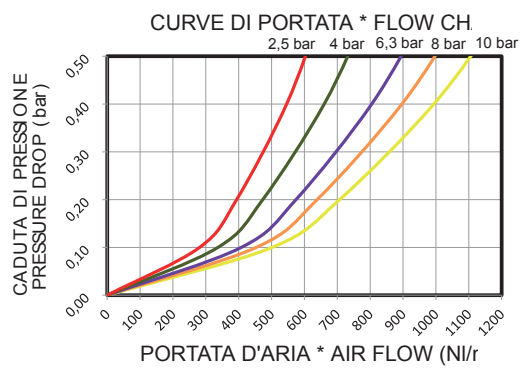
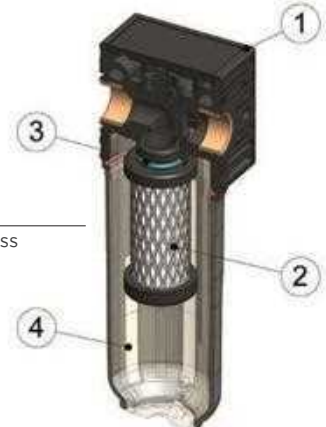
<b>Fluid</b>	compressed air
<b>Maximum inlet pressure</b>	16 Bar
<b>Filtering cartridge</b>	activated carbon
<b>Life of cartridge</b>	Replacement against pressure drop higher than 0,75 bar. Anyhow, do not exceed 2,000 working hours. Saturation of activated carbon may not cause pressure drop.
<b>Reference flow rate</b>	see the flow chart
<b>Working temperature (a 10 bar)</b>	-5 / +50°C
<b>Max Torque G1/4" IN-OUT</b>	25 Nm
<b>Weight</b>	0,10 kg

## ORDERING CODE

CODE	REF.
042.02.00300	CF 042 1/4 CA TT
042.02.00301	CF 042 1/4 CA TC (short bowl)
042.02.00302	CF 042 1/4 CA PE

## COMPONENTI

1. **Body** - resina acetalica + brass
2. **Carbon filter cartridge**
3. **O-ring** - NBR
4. **Bowl** - Toughened PA



## GUIDE TO REFERENCES

F 1/4" 042 20 PE SS

Product  
**F** = Filter  
**MF** = Microfilter  
**CF** = Activated carbon

Connection  
**1/4"** = G 1/4"  
**3/8"** = G 3/8"  
**1/2"** = G 1/2"  
**3/4"** = G 3/4"  
**1"** = G 1"

Line  
**042**  
**050**  
**052**  
**075**  
**080**  
**095**

Condensate Drain  
**SS** = Semiautomatic (standard)  
**SA** = Automatic float type  
**SAD** = Automatic differential  
**S18** = Open seat 1/8 F

Bowl  
**TT** = Transparent (Line 042 only)  
**TC** = Short transparent (Line 042 only)  
**PE** = With outer guard

Filtering element  
**5** = 5 micron  
**20** = 20 micron  
**0,01** = 0,01 micron  
**CA** = Activated carbon